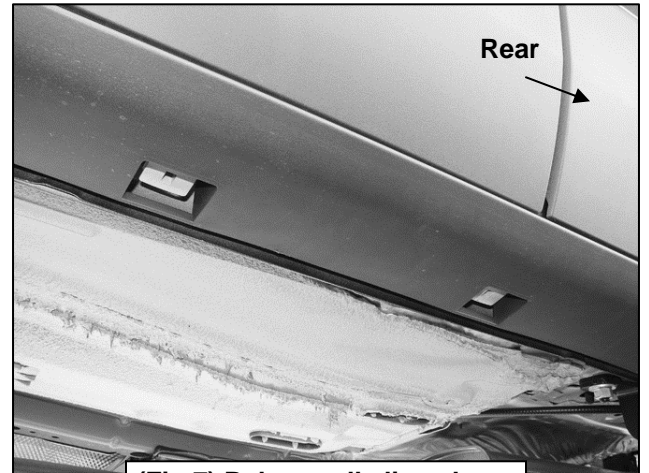
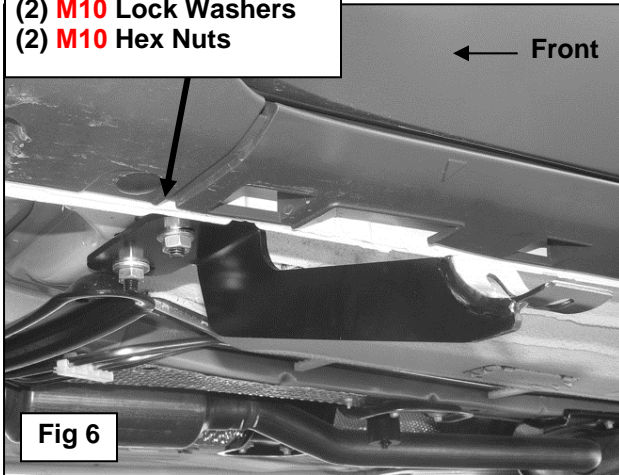
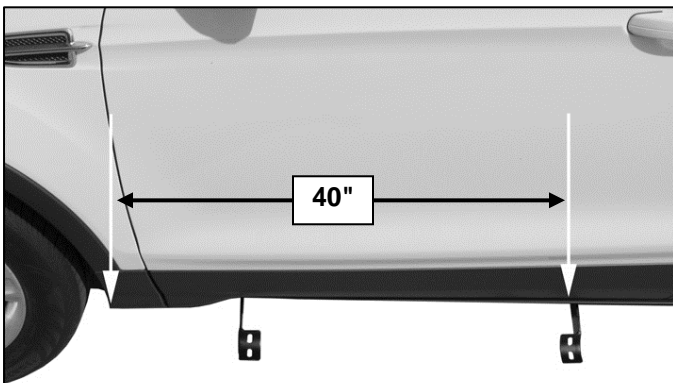


Driver Side Installation Pictured

- (2) 10mm Flat Washers
- (2) **M10** Lock Washers
- (2) **M10** Hex Nuts



(Fig 7) Release all clips along bottom of rocker panel cover



(Fig 8) Measure approximately 40 inches from bottom corner of wheel opening along rocker panel to locate factory hole for center Bracket



(Fig 10) **M10** x 30mm Bolt Plate with Plastic Retainer



(Fig 9) **M10** x 30mm Bolt Plate