

*Auto Meter Products Inc.*

413 West Elm Street  
Sycamore, IL 60178

Phone (815) 895-8141  
Toll Free (866) 883-TEST (8378)  
Fax (815)-895-6786  
[www.autometer.com](http://www.autometer.com)

2650-1511-00 5/27/10

## *PR-12 Infrared Printer* Instruction Manual

This infrared printer allows test results to be printed at a distance up to 15 feet.

## CONGRATULATIONS!

You have chosen the PR-12 printer designed for use with Auto Meter handheld testers. If you should have any questions about this product please refer to the contact information on the back cover of this manual.

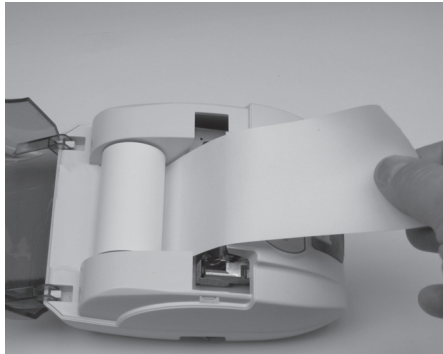
## PAPER INSTALLATION

- Standard Thermal Paper Roll - (58 mm) Available from any office supply
- AC Adapter - (120 VAC Output 12 VDC)
- DC Adapter - (Cigarette Lighter Adapter. Output 12 VDC)
- Printer Dimensions - 4.5" W 5.75" D 3.25" H

1. Open cover by placing hands on both sides of the cover and flipping up on the finger tabs.



2. Drop in thermal paper roll (as shown). Pull paper out 3" past the cover lid and hold.

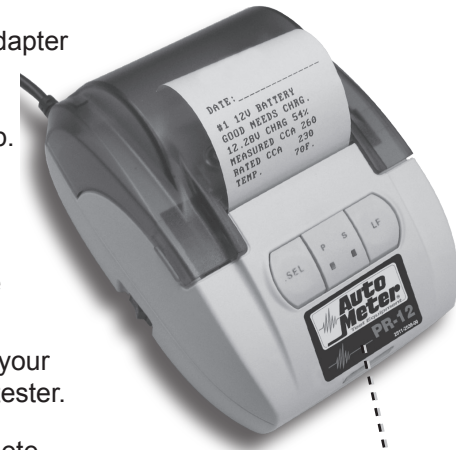


3. Close lid by pushing on both sides of the printer cover at the lid tabs until you hear a snap. Paper is loaded and ready to use.



## OPERATION

1. Plug in the AC adapter or 12 VDC cigarette adapter and turn the power switch on. The Red & Green LED will light up.
2. Point the I/R receiver that is on the front of the printer, in the direction of the vehicle or tester being used.
3. Perform the test using your Auto Meter hand-held tester.
4. When the test is complete, point the tester in the general direction of the PR-12 Infrared Printer. Press the print key on the tester panel. The test number and results indicated on the tester LCD will print out on the PR-12 printer.
5. To feed the paper manually, Press the LF(Line Feed) button to start feeding the paper.(Green LED will go off during line feed.)Press the LF button again to stop feeding. (Green LED will come back on.) Printer will automatically stop the feed in 10 seconds, if the LF button not pressed. You are now ready to print.



**NOTE:** SEL button has no function.

### NOTE:

If the infrared receiver on the printer is exposed to direct sunlight, the printer may not function properly. Turn the printer so that the infrared receiver is not exposed to direct sunlight, and reduce the printing distance from hand held testers.

