

BACKRACK™

FUNCTION AND STYLE FOR TODAY'S TRUCKS

11522 - REAR BAR, 2019-TD Chev/GMC Silverado, Sierra

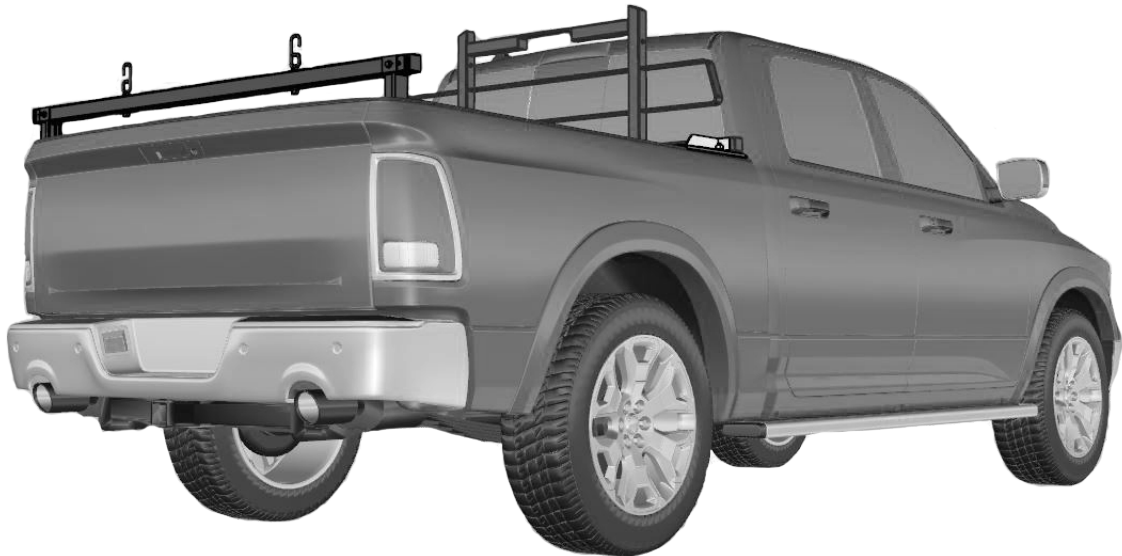
INSTALLATION INSTRUCTIONS

REAR BAR ACCESSORY

WARNING READ THIS:

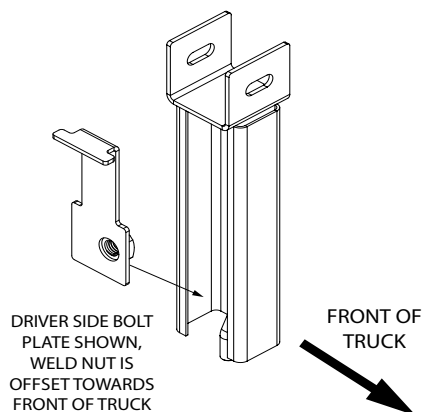
It is not recommended to use rear bar without tie downs to the truck bed. It is not recommended that the rear bar be left in the stake pockets unless in use with a tie down.

Store rear bar securely in truck bed when not in use. The rear bar accessory, in most applications is installed into the stake pockets without a clamp plate and therefore can come lose if not tied down securely to the bed of the truck. This kit includes a bolt plate for permanent installation.



TRUCK SHOWN MAY NOT BE SAME MAKE-MODEL AS THE KIT YOU PURCHASED

1



- Install clamp plate into the rear bar stake mount
- Slide one side of clamp plate into C - channel above location pin, rotate other side into place
- Note driver and passenger side clamp plates
- Driver side shown

FOR MORE INFORMATION SCAN HERE!

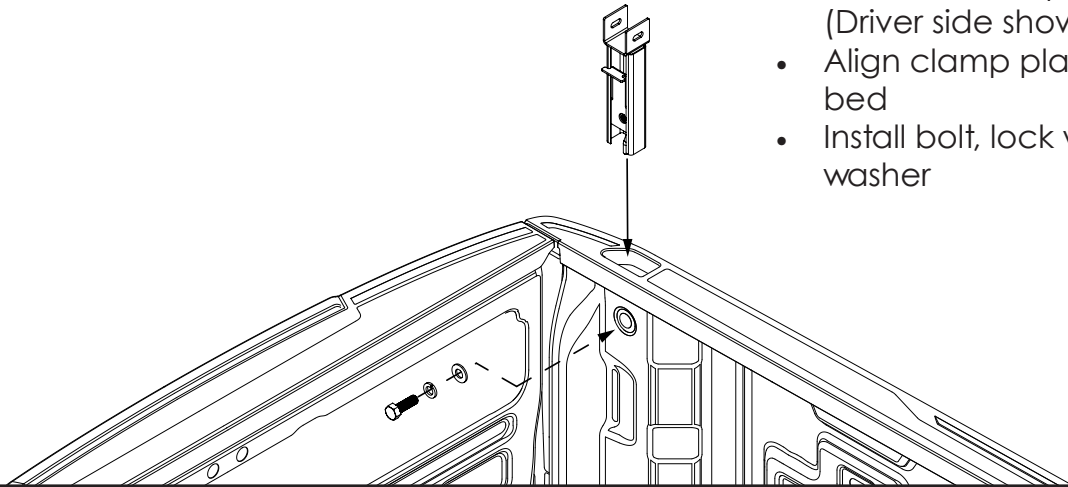


BACKRACK™

FUNCTION AND STYLE FOR TODAY'S TRUCKS

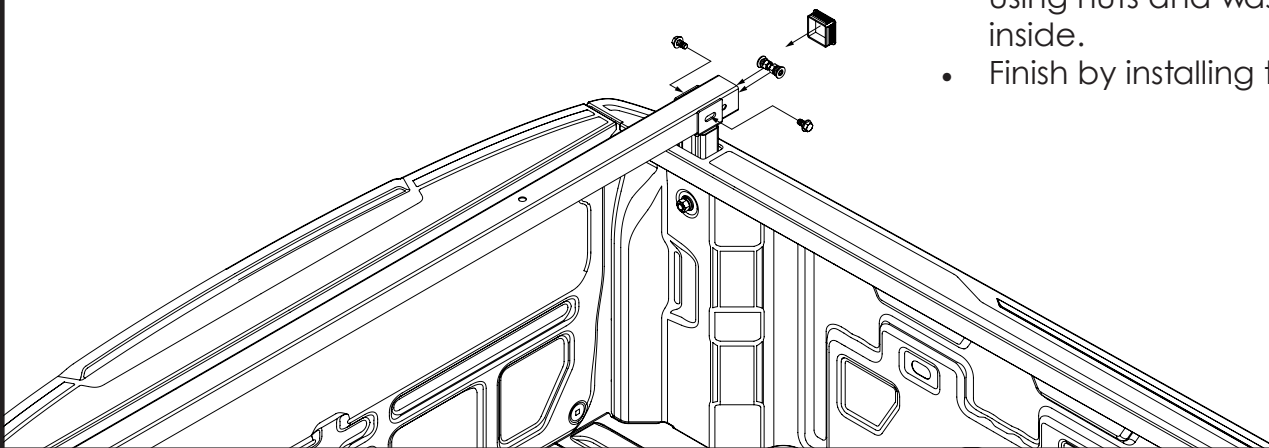
2

- Install driver and passenger side rear bar stake pocket channels. (Driver side shown)
- Align clamp plate to hole in truck bed
- Install bolt, lock washer and flat washer



3

- Install rear bar, center between rear bar channels.
- Bolt from each side as shown using nuts and washers on the inside.
- Finish by installing trim cap.



4

- Install tie downs to center holes as shown in diagram using nuts and washers.

