

BACKRACK™

FUNCTION AND STYLE FOR TODAY'S TRUCKS

INSTALLATION INSTRUCTIONS #INST226:

SIDE RAIL KIT #55522, 55522TB, 65522, 65522TB, 80522, 80522TB

2019 Current Chev/GMC Silverado, Sierra

READ THIS NOW!

Your truck should look like the one shown. If you think you are missing any parts, think that this part number is not for your truck or have any installation questions, call our customer service department at toll free:

800-265-8137 or locally **905 849-3633**.

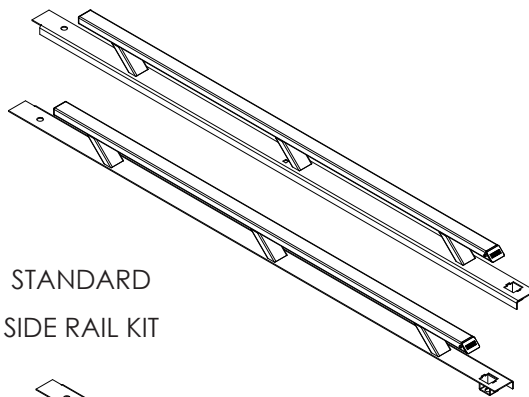
Other ways to reach BACKRACK:

Fax **905-849-4116**

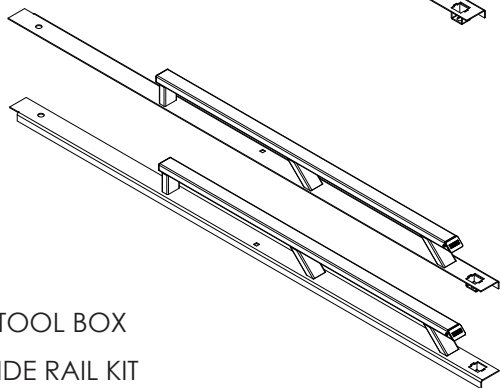
email: techsupport@backrack.ca



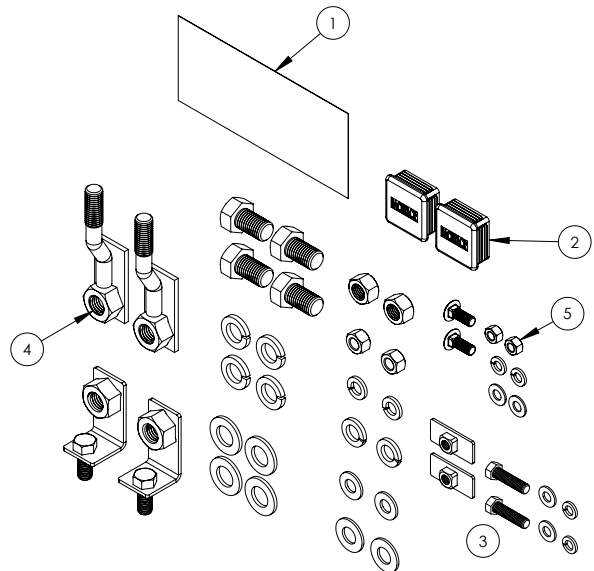
The SIDE RAILS are secured to your truck with a set of "Stake Pocket Bolts" specifically designed for your make and model of truck. These bolts mount into each of the two front and rear stake pockets. The SIDE RAIL assembly sits on the bed rails of your truck and is secured to these Stake Pocket Bolts. If your truck has a BEDLINER we suggest you remove it to install the Stake Pocket Bolts



STANDARD
SIDE RAIL KIT



TOOL BOX
SIDE RAIL KIT



| ITEM NO. | PART NUMBER | DESCRIPTION | QTY. |
|----------|-------------|----------------------------|------|
| 1 | INST226 | Installation Instruction | 1 |
| 2 | SF013 | Stake Pocket Trim Cap | 2 |
| 3 | BAG074* | Side Rail Rear Fasteners | 1 |
| 4 | BAG073 | Side Rail Rear Fasteners | 1 |
| 5 | BAG043** | Side Rail Centre Fasteners | 1 |

* Included with kits for 8ft Box

** Included with kits for 5.5 & 6.5 ft Box

FOR MORE INFORMATION SCAN HERE!

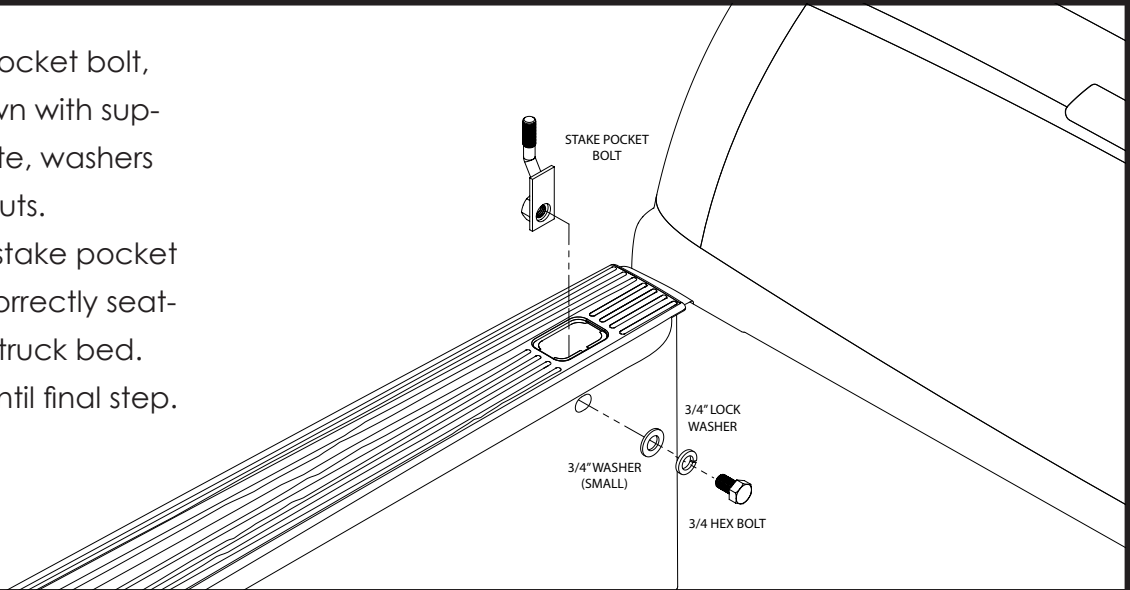


BACKRACK™

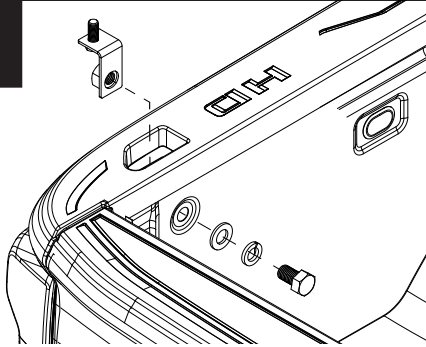
FUNCTION AND STYLE FOR TODAY'S TRUCKS

1

Insert stake pocket bolt, fasten as shown with supplied bolt plate, washers and nuts. Make sure the stake pocket bolt tabs are correctly seated in slot on truck bed. Hand tighten until final step.

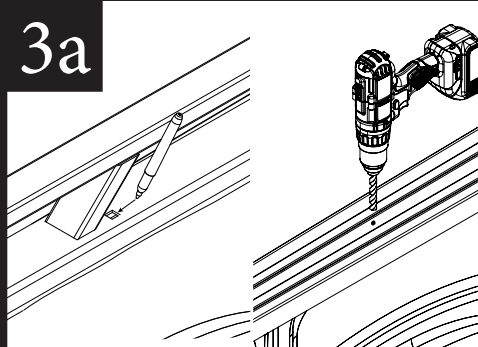


2



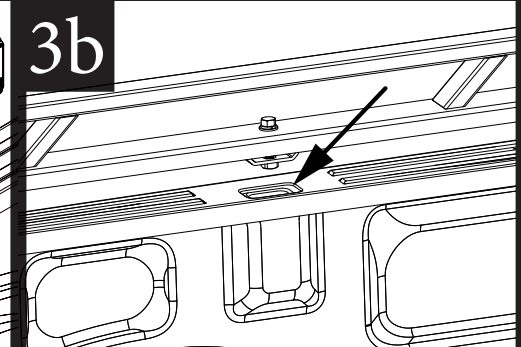
Install rear stake pocket bolt inside pocket. Hand tighten the bolt with lock washer and washer as shown.

3a



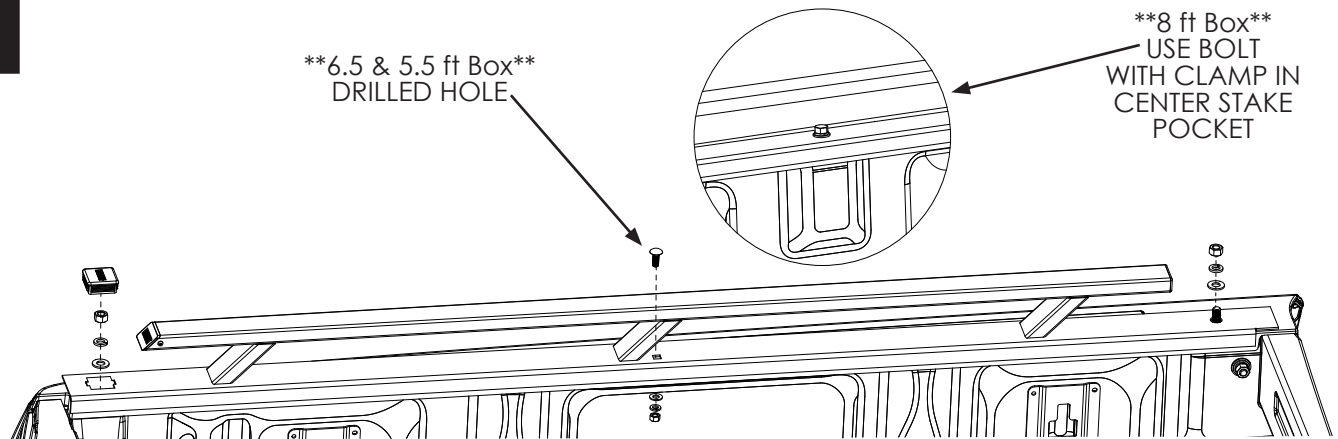
****FOR 5.5' & 6.5' Beds Only****
Place the rails onto the truck locating over the stake pocket bolts, the rail can be temporarily hand tightened in place, or held firmly in place while marking. Mark the location of the square hole. Using a hand drill, carefully drill the center of the marked position with a 1/8" drill (pilot hole). Finish drilling rail with a 1/2" drill and de-bur the hole

3b



****FOR 8' beds only****
Attach the center clamp to the side rail with the supplied bolt and washers. Leaving the clamp loose, place into the center stake pocket. Hand tighten, the clamp should rotate in the pocket and hold on the underside of the pocket.

4



Place side rail over the stake pocket bolts (6.5ft) . Hand tighten all bolts. Align side rail against inside and front of truck bed. Torque all bolts. Snap trim cap into rear square hole.

NOTE:

Illustration shows standard side rail kit, follow same procedure for tool box kit.