

BACKRACK™

FUNCTION AND STYLE FOR TODAY'S TRUCKS

INSTALLATION INSTRUCTIONS #INST236:

BACKRACK KIT #30119LP

2007-2016 Chev/GMC Silverado, Sierra

READ THIS NOW!

Your truck should look like the one shown. If you think you are missing any parts, think that this part number is not for your truck or have any installation question, call our customer service department at toll free:

800-265-8137 or locally **905 849-3633**.

Other ways to reach BACKRACK:

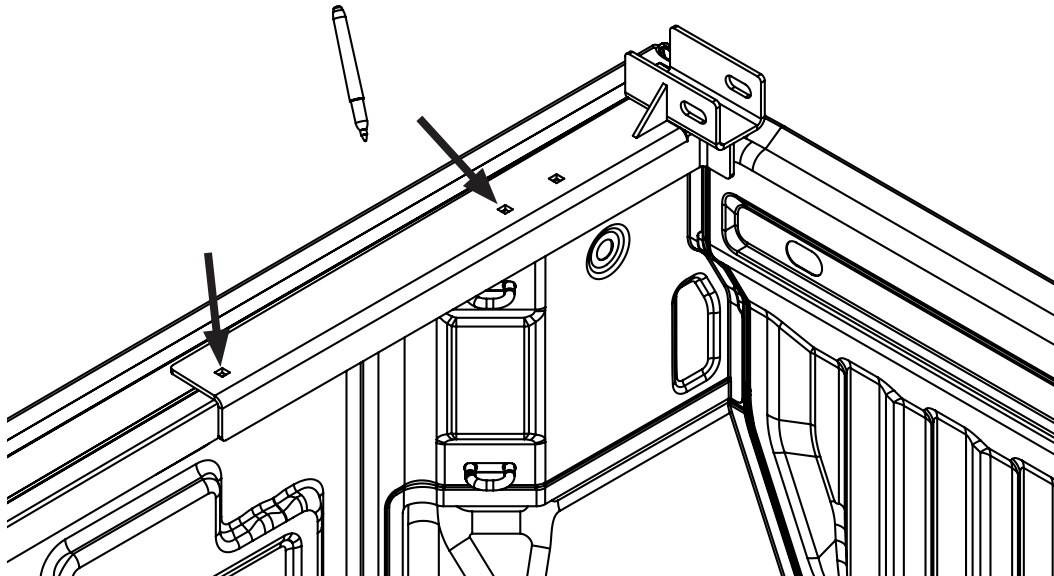
Fax **905-849-4116**

email: techsupport@backrack.ca



The BACKRACK LP Kit is secured to your truck with carriage bolts that require drilling of the truck rails. The BACKRACK assembly sits on the bed rails of your truck and is secured with these bolts. If your truck has a BEDLINER we suggest you remove it to drill and install the bolts

Place Low Profile Bracket into position on the truck as shown. Ensure that the bracket is firmly against the side and front of the bed as shown. Mark the mount holes on the bed of your truck.



FOR MORE INFORMATION SCAN HERE!

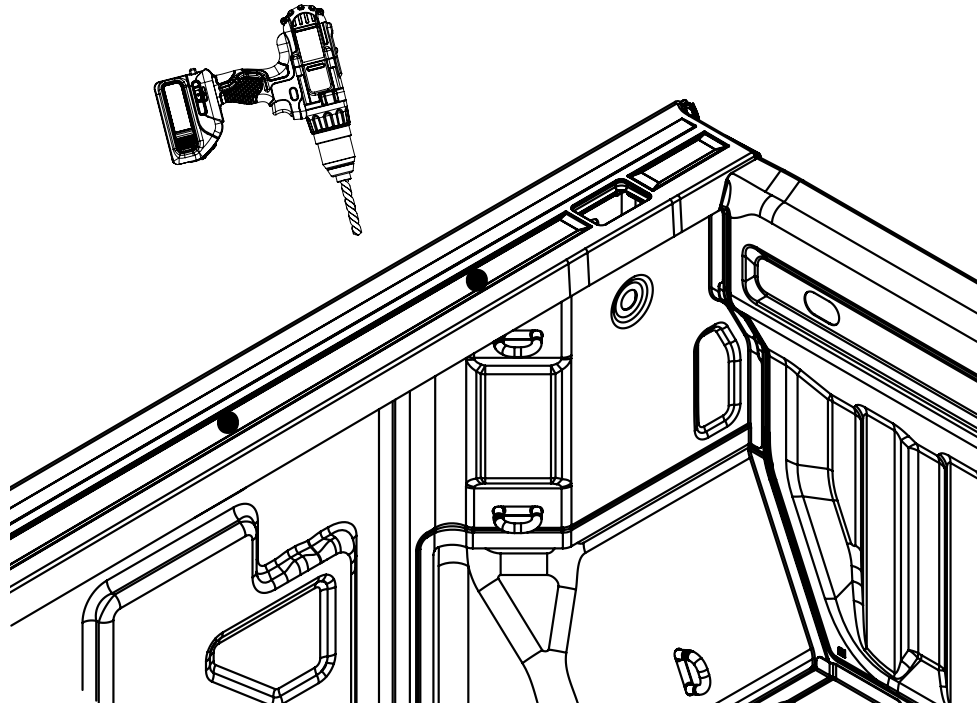


BACKRACK™

FUNCTION AND STYLE FOR TODAY'S TRUCKS

****USE EXTREME CAUTION WHEN DRILLING****

Improper drilling can cause damage to your truck bed and/or cab.
Drill the holes by first drilling a pilot hole (1/8") and then drilling to 7/16"



1

Install rail mount brackets, Driver and passenger side using supplied shoulder bolts, washers, lock washers and nuts, do not fully tighten. Place BACKRACK into channels and install bolt as shown. Center the rack on the truck and fully tighten all fasteners evenly.

****NOTE****

Install 1/2" carriage bolt in the direction as shown, failure to do so could damage the truck

