

BACKRACK™

FUNCTION AND STYLE FOR TODAY'S TRUCKS

INSTALLATION INSTRUCTIONS #INST007:

BACKRACK KIT #30127

Dodge Ram 2009-16 5.5ft Bed Only

READ THIS NOW!

Your truck should look like the one shown. If you think you are missing any parts, think that this part number is not for your truck or have any installation question, call our customer service department at toll free:

800-265-8137 or locally **905 849-3633**.

Other ways to reach BACKRACK:

Fax **905-849-4116**

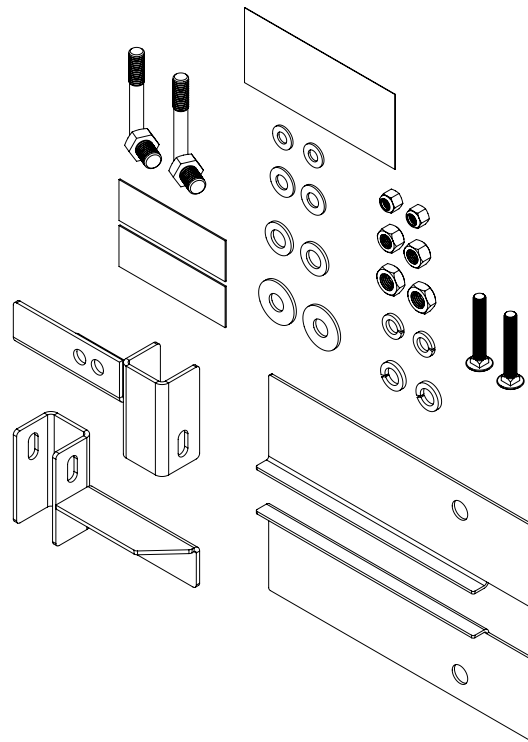
email: techsupport@backrack.ca



The BACKRACK is secured to your truck with a pair of "Stake Pocket Bolts" specifically designed for your make and model of truck. These bolts mount into each of the two front stake pockets. The BACKRACK assembly sits on the bed rails of your truck and is secured to these Stake Pocket Bolts. If your truck has a BEDLINER we suggest you remove it to install the Stake Pocket Bolts

PARTS LIST FOR KIT #30127

PART	DESCRIPTION	QTY
RMB503D	Rail Mount Bracket Driver	1
RMB503P	Rail Mount Bracket Passenger	1
RP527D	Rail Plate Driver	1
RP527P	Rail Plate Passenger	1
HARDWARE BAG517		
INST006	Installation Instructions	1
SBY517S	Stake Pocket Bolt	2
FY2008	1/2"-20 Nylon Hex Lock Nut	2
FY2011	1/2" Flat Washer	2
FY2014	1/2"-20 x 3.25 Carrige Bolt Grade 8	2
FY2016	5/8"-11 Hex Nut	2
FY2017	5/8" Lock Washer	2
FY2018	5/8" Flat Washer	2
FY2019	3/4"-10 Jam Nut	2
FY2020	3/4" Lock Washer	2
FY2021	3/4" Flat Washer	2
FY2022	3/4" Large Flat Washer	2
SF002	2" x 6" Foam Pad	2



FOR MORE INFORMATION SCAN HERE!

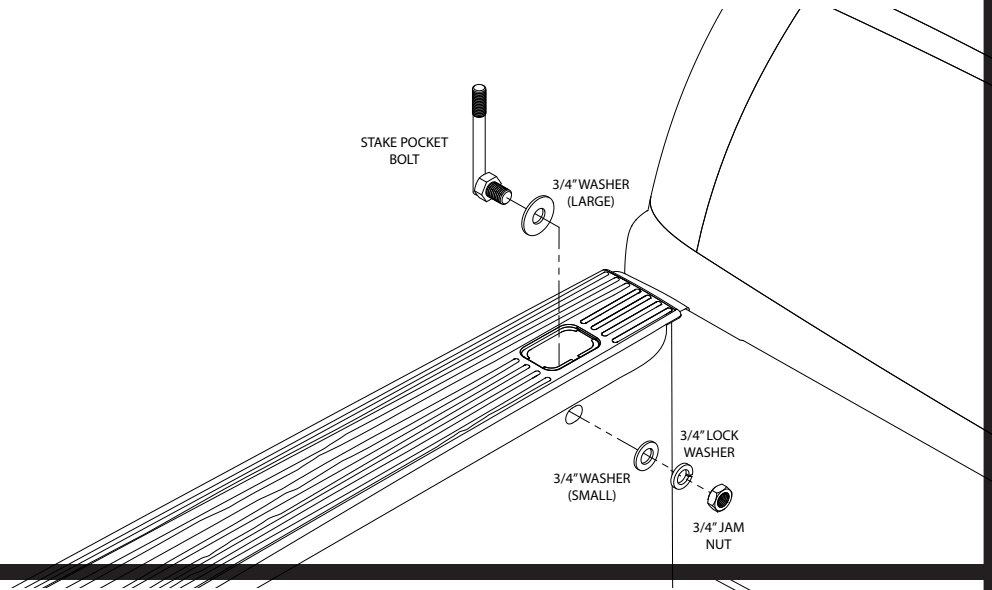


BACKRACK™

FUNCTION AND STYLE FOR TODAY'S TRUCKS

1

For each stake pocket bolt (driver and passenger) install large washer over the 3/4" bolt end of stake pocket bolt, and through the slot on the truck bed. Install the 3/4" small steel washer, lock washer and nut. Leave assembly finger tight at this stage.

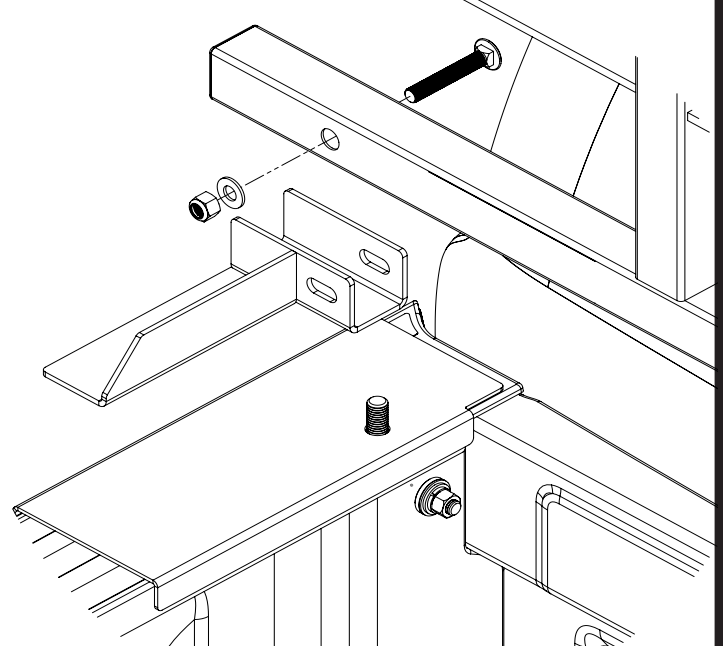


2

Fasten Backrack to the Rail mount bracket, or Toolbox bracket. Finger tighten at this stage.

****IMPORTANT****

Install the carriage bolt as shown in the diagram with the round head closest to the cab. Failure to do so could result in damage to the cab or rear window.



3

Fasten Backrack Assembly to the Stake pocket bolt as shown.

Center the Backrack assembly on the truck and final torque all bolts starting with the nuts on the inside of the truck bed, then the rail mount or toolbox bracket and finally the main BACKRACK carriage bolt

