

## Jeep Wrangler TJ Bedrug/BedTred Interior Installation Instructions



*Congratulations on choosing the finest interior flooring kit available for your Jeep. The Bedrug/Bedtred material is mold and mildew resistant, easily cleaned with water & household cleaning chemicals and extremely resistant to most chemicals.*

- **Kit Contents:** Driver side wheel well, passenger side wheel well, rear cargo area floor, tailgate piece, hook fasteners, and instruction sheet.
- **Tools needed:** Utility knife, soap, water, rubbing alcohol, and a T-30 torx bit.



### PREPARATION

1. Read all instructions before beginning installation.
2. Remove old Jeep flooring material (if equipped).
3. Wash and dry the floor pan and wheel well areas thoroughly.
4. Cut the hook fasteners with tape backing to match the length of loop sewn on the underside of each Bedrug/BedTred piece. Place the hook onto each location. Do not remove the tape backing at this time. (Note: Cut the longest pieces first.)

**IMPORTANT:** Jeep floor should be at least 68°F (20°C) for maximum adhesion. Clean all areas with rubbing alcohol before applying tape. When removing backing, do not touch adhesive. If both front and rear kits were purchased be sure to install the rear cargo area first.

### INSTALLING CARGO AREA WHEEL WELLS

5. Tilt rear seat into up/forward position. Fit driver side wheel well piece into place, fitting around seat belt mount, roll bar, wiring, and rear door latch. **Note:** Like the factory carpet kit, there is a flap at the bottom of both wheel well pieces designed to roll onto the cargo floor. Cargo floor piece will overlap flap. See **Fig. 3**. Markings on back of the part indicate where slits or cutouts need to be made. Be sure to cut only markings necessary for your Jeep. (**Fig. 1** and **Fig. 2**) **Tip:** Removing the rear seat will make installing cargo area easier.



FIGURE 1:



FIGURE 2:

6. Next pull up bottom of side piece behind seat to access hook fastener. Clean surface with alcohol then remove the film backing and roll the part back into place. Firmly press the top surface to ensure adhesive attachment. (**Fig. 3** and **Fig. 4**)

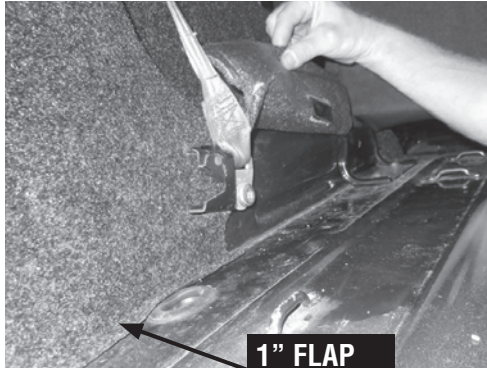


FIGURE 3:



FIGURE 4:

7. Now pull down the top of the wheel well piece to access the hook fastener. (**Fig. 5**) Clean the surface with alcohol then remove the film backing and roll the part back into place making sure to tuck under wiring harness where necessary. (**Fig. 6**) Firmly press the top surface to ensure adhesive attachment.



FIGURE 5:



FIGURE 6:

8. Now lift up on the front of the wheel well piece, clean surface with alcohol remove the tape backing and press firmly back into place. (**Fig. 7**) Repeat steps for the rear door opening. (**Fig. 8**)

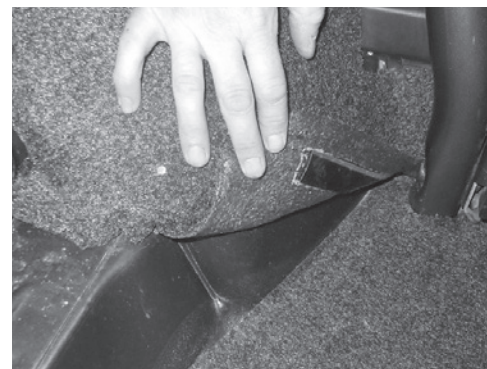


FIGURE 7:



FIGURE 8:



- Repeat steps 5 thru 8 for the passenger side wheel well. Note the cutout necessary on the passenger side only for the rear door sensor. (Fig. 9)



FIGURE 9:

## INSTALLING CARGO AREA FLOOR

**Note:** For jeeps with a rear seat, trimming will be necessary to fit around seat mount and seat belt attachment points. There are score lines on the back of the part to use as a guide.

- With the rear seat in the up position, or removed, place the floor piece into position. (Fig. 10) Cut holes in center of floor piece if seat belts are present. Lift the floor piece from the rear and pull the seat belts thru the holes. (Fig. 11)



FIGURE 10:

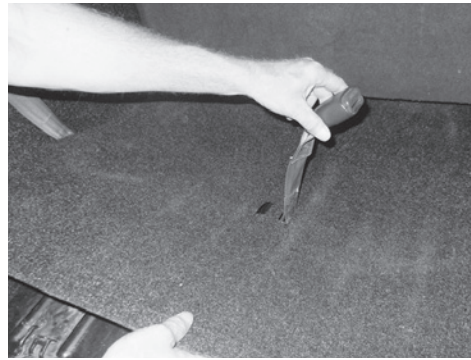


FIGURE 11:

- If tie downs are preferred to be accessible, cut holes and slits as desired using score lines on the underside of floor or cut out using your tie downs as a guide. (Fig. 12)
- Now pull up floor piece from rear of vehicle to access the hook fastener. Clean surface with alcohol then remove the film backing from all of the locations behind the rear seat and roll the floor back into place. Firmly press the top surface to ensure adhesive attachment. (Fig. 13 and Fig. 14)



FIGURE 12:



FIGURE 13:



FIGURE 14:

13. Now repeat the process for the hook fastener in front of the rear seat where the two floor pieces meet. (Fig. 15)

**Note:** If both front and rear kits are being installed the floor piece in the rear passenger area should overlap the wheel well pieces and the rear floor piece.

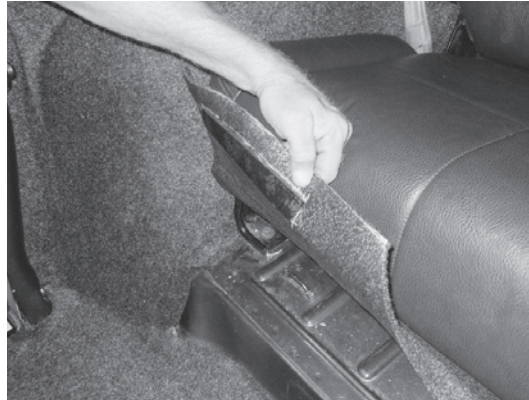


FIGURE 15:

## INSTALLING TAILGATE PIECE

14. Remove the metal or plastic cap covering the door latch. Clean surface with alcohol then remove film backing from the tailgate piece and attach to the tailgate. Firmly rub entire surface to ensure good attachment. (Fig. 16) Reinstall the cap over the latch and the tailgate piece in the latch area.

**Note:** If the tailgate piece covers any screw holes, you will need to puncture holes thru the piece in order to reinstall screws for the latch cover.



FIGURE 16:

## **WARNING**

The use of front floor mats is not recommended with BedRug or BedTred floor kits. If floor mats are used, it is imperative to re-use the removable retention hooks from the factory carpet, installed to the manufacturer's specifications. Do not use floor mats or liners with BedTred Kits. Do not use floor mats or liners with BedRug Kits without retention hooks.

**\*\*Please retain these instructions for future reference in your vehicle's glove box\*\***

## **BEDRUG® BEDTRED™ CLEANING INFORMATION**

The mildew resistant BedRug/BedTred foam will not absorb liquids. The engineered composite surface resists stains and deterioration from most acids, chemicals, gas and oils, etc. Therefore, by following the cleaning instructions below, your BedRug/BedTred will remain serviceable for as long as you own your vehicle.

### **Cleaning your BedRug is easy:**

1. A vacuum, broom, brush or compressed air can be used to remove dirt, grime, sand, mulch etc. Due to the fact that water will not harm the product, pressure washing is also an effective way to clean a soiled BedRug/BedTred.
2. Although most acids will not harm the BedRug/BedTred, baking soda should be applied immediately to neutralize the acid to ensure the safety of the paint on the vehicle.
3. To clean tougher jobs such as gasoline, oil, chemicals, acid spills or leaks from your BedRug/BedTred use detergent soap with degreaser and water, then rinse thoroughly. This detergent soap is used in most car wash locations with pressure washing equipment. The polypropylene closed-cell foam will not absorb water and the composite surface dries in minutes.

If you have additional questions, call BedRug Inc. customer service at 800-462-8435.

## **LIMITED WARRANTY**

BedRug Inc. warrants BedRug and BedTred products for Jeep vehicles for three years from the original date of purchase. Warranty is limited to the original purchaser and is not transferable. Product is warranted to be free from defects in materials and workmanship. The warranty is void if the product has been damaged by accident, unreasonable use, neglect, improper service/installation/removal, modifications, acts of God, normal wear and tear, or other causes not arising out of defective materials or workmanship. Consequential and incidental damages are not covered under this warranty. Warranty does not cover labor, the cost of shipping, or cost of returning the product for warranty service or inspection. The terms of this warranty may vary from state to state. You may have rights under specific state laws that differ from the terms of this warranty. Proof of purchase will be required for warranty service. Product should be cleaned before return. A return authorization number must be obtained prior to returning any product. For warranty instructions, returns, and packaging contact BedRug Inc. Customer Service at 800-462-8435.

## **PRODUCT REGISTRATION**

Thank you for purchasing your BedRug product! We would appreciate it if you would take a few minutes to register your purchase. Registration allows us to provide, with your permission, important updates, service information, helpful hints or warranty service should you ever require technical support. BedRug offers the option of returning product registration forms electronically, rather than having to fill them out by hand. You can be assured that BedRug does not share or sell the information you provide. Save a copy of your sales receipt. Activate your warranty by registering your product online at <http://www.bedrug.com/customer-service/product-registration.html> or by scanning the QR code. You will need the 6-digit lot and date code found on the underside of the product, see label example below.



**Rear Kit: BRLJ04R and BTLJ04R**

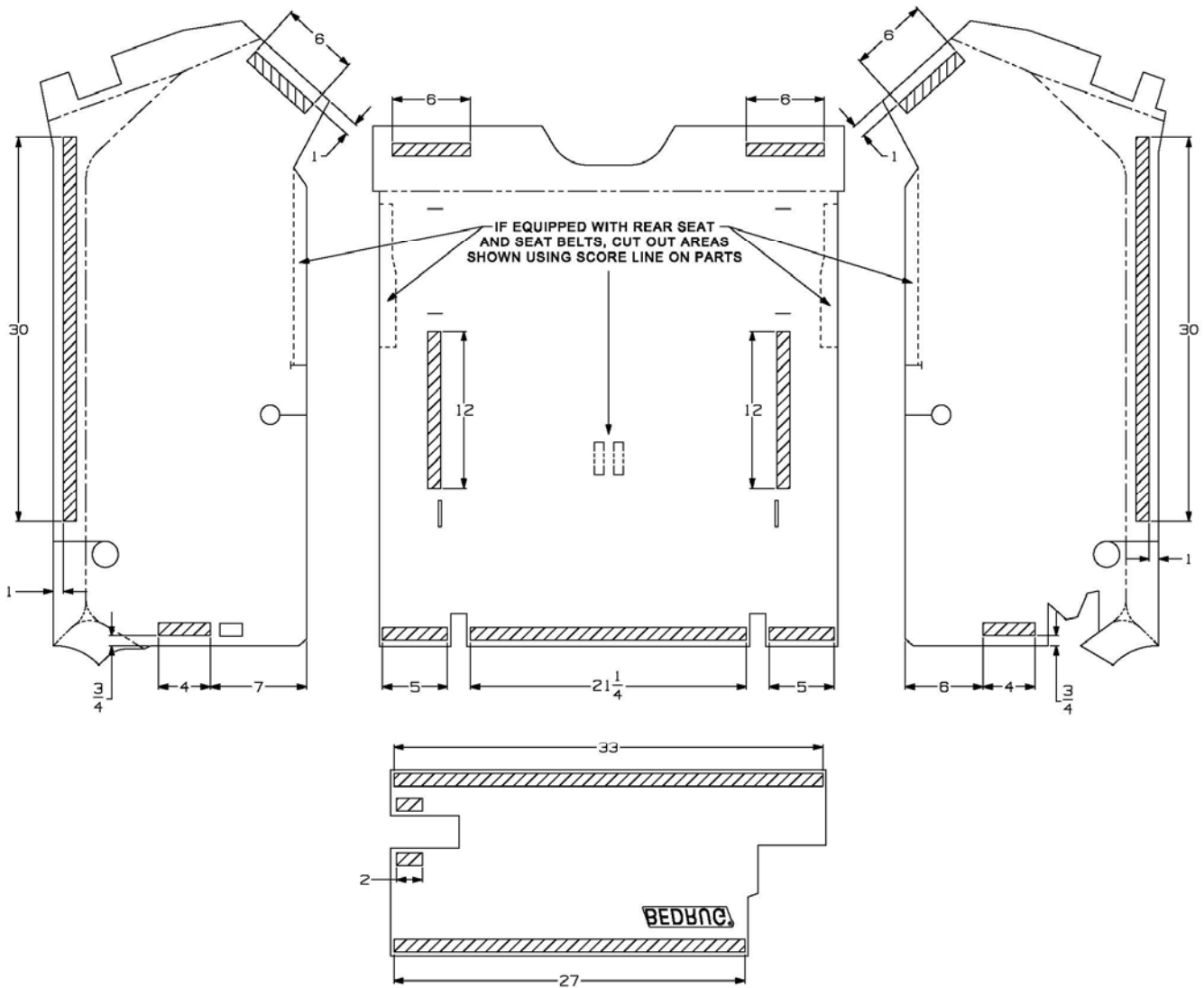
**Jeep Wrangler TJ (LJ) Unlimited BedRug/BedTred Installation Instruction Supplement**

If your vehicle is equipped with rear seats, cut out the areas as indicated in the drawing below.

If tie downs are preferred to be accessible, cut holes and slits as desired using score lines on the underside of floor or cut out using your tie downs as a guide.

For BedRug hook fastener installation; cut the hook fasteners with tape backing to match the length of loop sewn on the underside of each BedRug piece. Place the hook onto each location. Do not remove the tape backing at this time. (Note: Cut the longest pieces first.)

For BedTred hook fastener installation; cut hook fasteners to length and install in locations as shown in the drawing below.



Continue with the rest of the installation following the Jeep Wrangler TJ BedRug/BedTred instructions.