

**Part Number(s):** **PTS12-34070 (5.5' bed)**  
**PTS12-34071 (6.5' bed)**  
**PTS12-34072 (8.1' bed)**

**NOTE:** Part number of this accessory may not be the same as the part number shown.

**Kit Contents**

Item #	Quantity Req'd.	Description
1	1	BedRug floor/tailgate asy
2	1	BedRug bulkhead/sidewall asy
3	1	Hardware kit

**Hardware Bag Contents**

Item #	Quantity Req'd.	Description
1	2	1 x 36 Dual Lock
2	2	1 x 63.5 Hook Fastener
3	49	1 x 2 Dual Lock (5.5' & 6.5')
	56	1 x 2 Dual Lock (8.1')
4	1	Adhesive promoter pad
5	1	Instruction Sheet

**Additional Items Required For Installation**

Item #	Quantity Req'd.	Description
1		
2		
3		

**Conflicts**

Bed Liner
Bed Mat

**Recommended Tools**

<b>Personal &amp; Vehicle Protection</b>	<b>Notes</b>
Safety Glasses	
Gloves	
<b>Special Tools</b>	<b>Notes</b>
<b>Installation Tools</b>	<b>Notes</b>
Utility Knife	
<b>Special Chemicals</b>	<b>Notes</b>
Approved cleaner	

**General Applicability**

All Tundra
------------

**Recommended Sequence of Application**





Item #	Accessory
1	Bed Rail
2	Bed Extender
3	Bed Rug

\*Mandatory

**Vehicle Service Parts** (may be required for reassembly)

Item #	Quantity Req'd.	Description
1		
2		
3		

**Legend**

	<b>STOP:</b> Damage to the vehicle may occur. Do not proceed until process has been complied with.
	<b>OPERATOR SAFETY:</b> Use caution to avoid risk of injury.
	<b>CAUTION:</b> A process that must be carefully observed in order to reduce the risk of damage to the accessory/vehicle and to ensure a quality installation.
	<b>TOOLS &amp; EQUIPMENT:</b> Used in Figures calls out the specific tools and equipment recommended for this process.

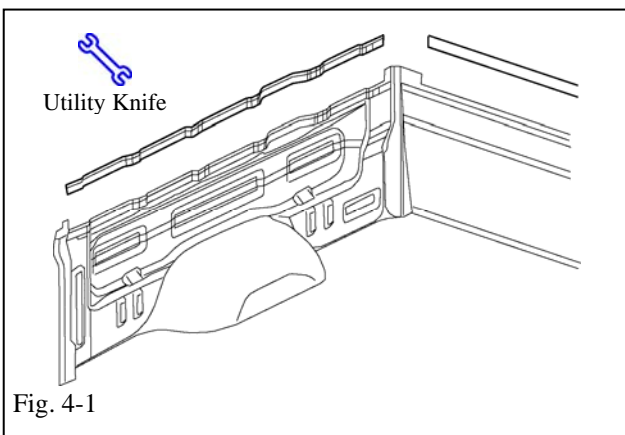
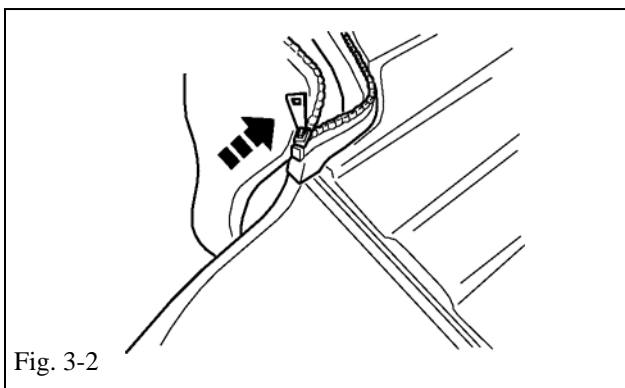
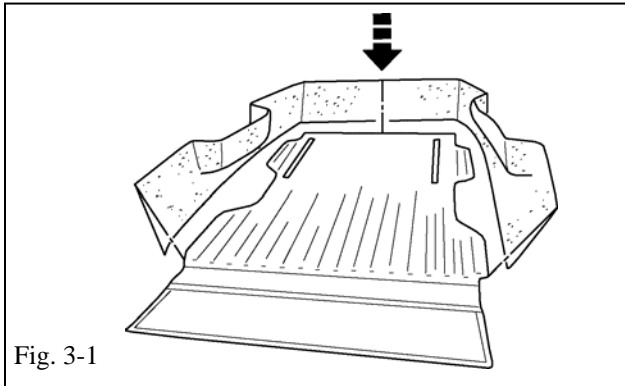
Care must be taken when installing this accessory to ensure damage does not occur to the vehicle. The installation of this accessory should follow approved guidelines to ensure a quality installation.

These guidelines can be found in the "Accessory Installation Practices" document.

This document covers such items as:-

- Vehicle Protection (use of covers and blankets, cleaning chemicals, etc.).
- Safety (eye protection, rechecking torque procedure, etc.).
- Vehicle Disassembly/Reassembly (panel removal, part storage, etc.).
- Electrical Component Disassembly/Reassembly (battery disconnection, connector removal, etc.).

Please see your Toyota dealer for a copy of this document.



### 1. Check Kit Content.



- (a) Verify that the kit contains all the parts listed in the Kit Contents.

### 2. Vehicle Preparation.



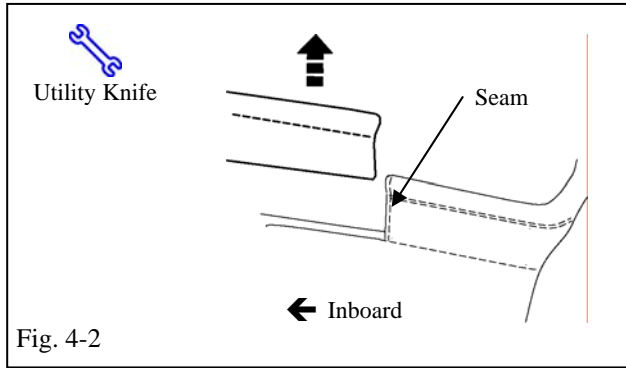
- (a) Wash and Dry the Bed and Tailgate areas thoroughly.
- (b) **IMPORTANT:** Review all instructions before beginning installation. Truck bed should be at least 68°F (20°C) for maximum adhesion. Clean all areas with an approved cleaner before applying tape. Do not remove backing from any tape until ready to adhere to the truck bed. When removing backing, do not touch adhesive. Extra adhesive strips have been provided in the kit for future use or if the installer deems more fasteners are necessary for better fit/appearance.

### 3. Pre-assemble BedRug.

- (a) Align the sides the BedRug as shown. (Fig 3-1)
- (b) Once properly aligned, zip sides into place. (Fig 3-2)

### 4. Pre-fitting BedRug.

- (a) Before proceeding with installation, verify whether or not the bed of the vehicle has a bedrail installed.
- (b) If a bedrail is present, trim off sections on the sides and the bulkhead area.(Fig 4-1) These trim lines are located on the back side of the sidewalls and bulkhead.



- (c) The BedRug bulkhead has a vertical seams sewn on both sides, **cut inboard of the seam.** (Fig 4-2)

### 5. Installing fasteners to Bed Rug.

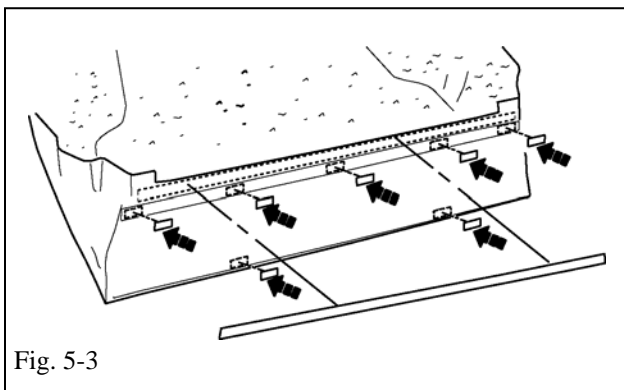
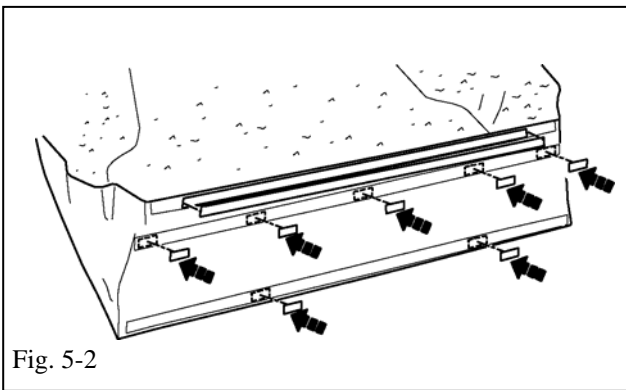
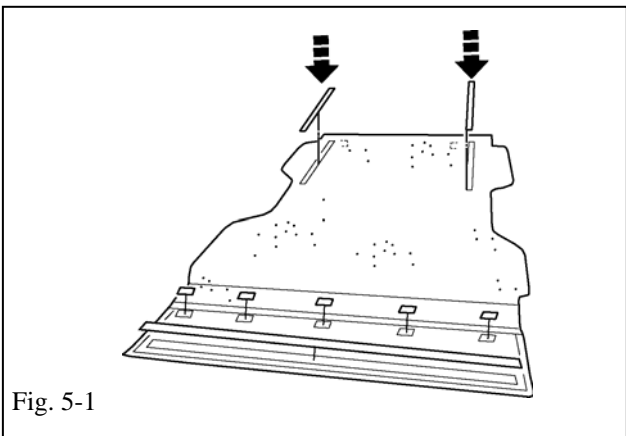
- (a) Attach 1"X 36", 1"X 2" and 1" X 63.5" to underside of the BedRug. Do not remove adhesive protective film at this time. (Fig 5-1)

#### For vehicles without bed Rail

- (b) Attach 1"X 63.5" and 1"X 2" to the BedRug area facing the front of the bed as shown. Do not remove adhesive protective film at this time (Fig 5-2).

#### For vehicles with bed Rail

- (c) Attach 1"X 63.5" and 1"X 2" to the BedRug area facing the front of the bed as shown. Do not remove adhesive protective film at this time. (Fig 5-3)



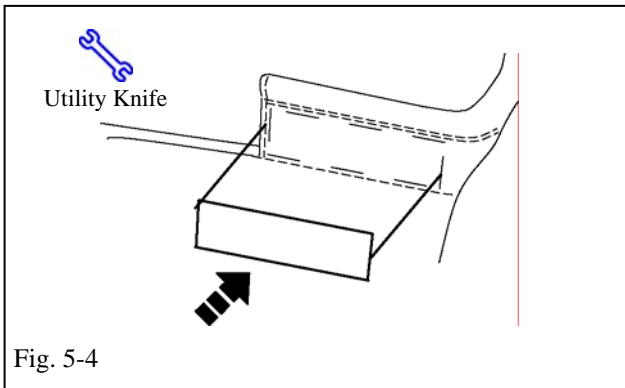


Fig. 5-4

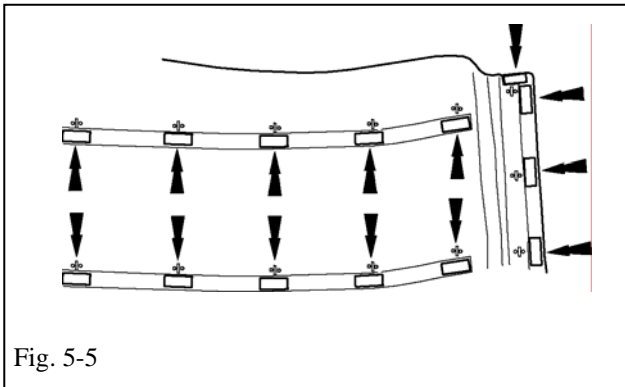


Fig. 5-5

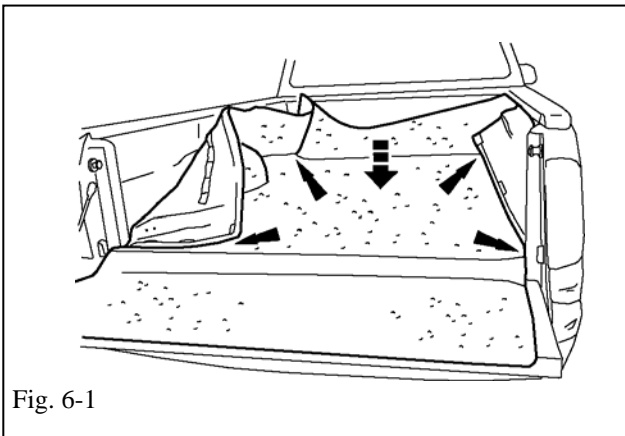


Fig. 6-1

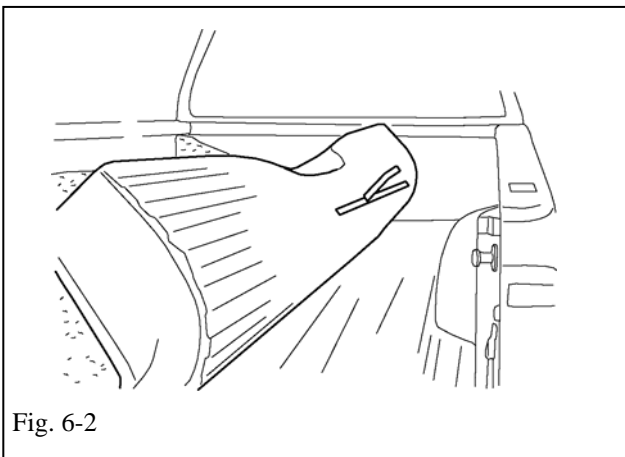


Fig. 6-2

- (d) Cut a section of the 1”X 63.5” from each side and attach to the top edges of the Bedrug. (Fig 5-4)
- (e) Attach 1”X 2” fasteners to the back sides of the BedRug sidewalls as marked by locators. Do not remove adhesive protective film at this time (Fig 5-5)

**6. Installing BedRug floor and bulkhead.**

- (a) Locate BedRug in the truck bed.
- (b) Position the BedRug - front to rear and left to right by aligning all edges and tucking corners into place.  
(Fig 6-1)
- (c) Roll the Bed Rug floor to you, exposing the 1”x36” fastener located on the BedRug bottom.
- (d) Clean attachment area thoroughly with cleaner.
- (e) Remove the film. (Fig 6-2)
- (f) Roll the BedRug floor and sidewalls back in place.
- (g) Firmly press the Bed Rug top-side for 15 seconds to insure adhesive attachment.
- (h) Repeat for other side.

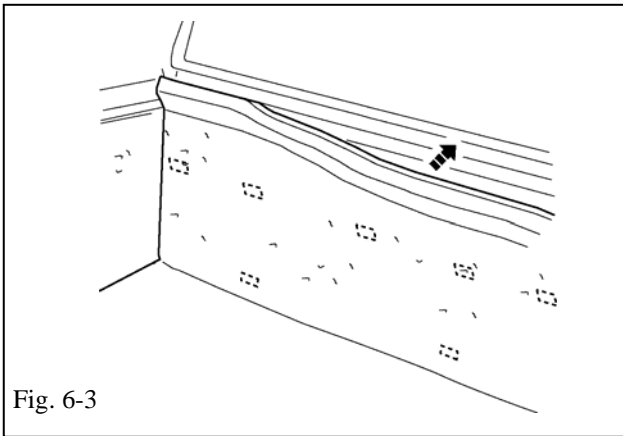


Fig. 6-3

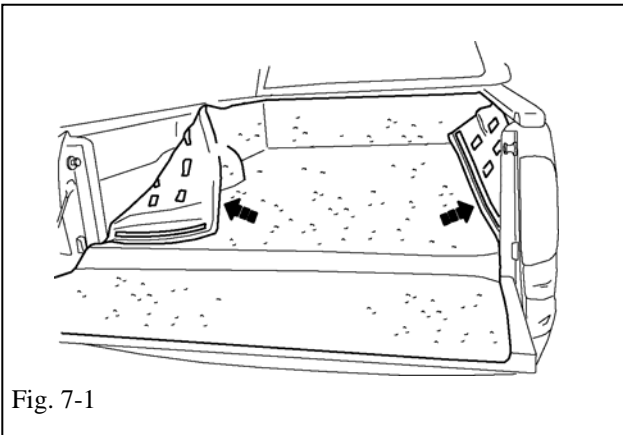


Fig. 7-1

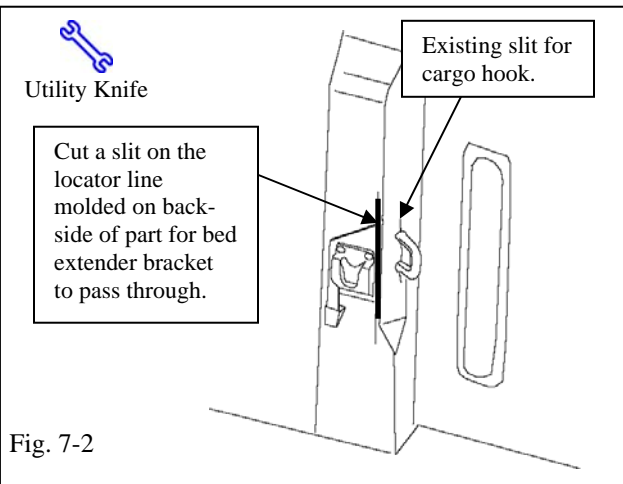


Fig. 7-2

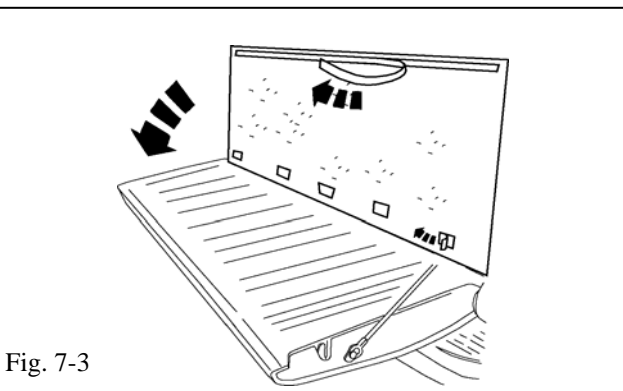


Fig. 7-3

- (i) Fit top edge of BedRug to top edge of body panel to determine best location. (Fig 6-3)
- (j) Clean attachment areas thoroughly with cleaner.
- (k) Remove the film
- (l) Roll the BedRug top edge back in place.
- (m) Firmly press the Bed Rug top-side for 15 seconds to insure adhesive attachment.

**7. Installing BedRug sidewalls and tailgate.**

- (a) Rear vertical edge of BedRug should be positioned to match D-pillar surface. Start at front and working rearward begin removing film from fasteners bottom to top front to back. Firmly press the Bed Rug sidewall for 15 seconds to insure adhesive attachment. Repeat for other side. (Fig 7-1)

NOTE: If using the BedRug in conjunction with a bed extender, cut a slit (located on back of part) in the D-pillar area to allow the bed extender bracket to pass through. (Fig 7-2)

- (b) Rotate the Bed Rug up to access tailgate fasteners.
- (c) Clean attachment areas thoroughly with cleaner.
- (d) Apply Adhesive promoter pad to factory tailgate cap.
- (e) Remove the film and align the edge of the Bed Rug tailgate section to the top edge of the tailgate. (Fig 7-3)
- (f) Roll the BedRug tailgate back in place.
- (g) Firmly press the BedRug tailgate for 15 seconds to insure adhesive attachment.
- (h) After installation is complete, tuck BedRug material between the tailgate and truck bed.

**TOYOTA TUNDRA MY -2007 BEDRUG ACCESSORY**

Checklist - these points **MUST** be checked to ensure a quality installation.

Check: \_\_\_\_\_

Look For: \_\_\_\_\_

Accessory Function Checks

- BedRug is firmly attached to vehicle body
- There is no interference with the Bed Rail
- BedRug is flush to the vehicle body
- 

- Peeling of adhesive, misalignment
- Obstruction of the bed rail
- Lifting or separation from vehicle body

Vehicle Function Checks

- 
- 
-