



Installation Instructions Seat Covers, Front Kit

Vehicle Application:
Jeep Wrangler JL 4-Door 2018-current
Part Number 29290

Installation Tips

Read and follow, precisely, all installation instructions provided when installing this product. Failure to do so may result in a poor fit, and could place occupants of the vehicle in a potentially dangerous situation.

WARNING

To reduce the risk of accidental injury: Follow all vehicle Manufacturer's and Bestop® safety messages, application and installation instructions.

- Do not remove seats from the vehicle to install this product.
- Fit and maintain sides of seat cover as tight to seat as possible, always matching front to side seam of seat with similar panels and seams of seat cover.
- Remove headrest carefully to avoid damaging manufacturer's wiring. Assure all plugs are connected after installation of seat cover.
- Do not use and replace if seat cover becomes damaged or wear no longer allows a tight fit to seat sides.



Care & Maintenance

Your seat covers are machine washable. Wash separately in COLD water with ¼ of normal amount of soap. Hang dry.

WEAR SEAT BELTS AT ALL TIMES

Tools	Installation Time	Support
<div data-bbox="459 1153 577 1219"></div> <div data-bbox="472 1226 564 1279">Safety Glasses</div> <div data-bbox="226 1359 289 1412"></div> <div data-bbox="304 1365 464 1406">CAUTION</div> <div data-bbox="478 1360 829 1414">Safety glasses should be worn at all times when installing this product.</div>	<div data-bbox="1039 1089 1171 1218"></div> <div data-bbox="1192 1133 1310 1166">2 hours</div> <div data-bbox="1115 1268 1289 1305">Skill Level</div> <div data-bbox="1026 1341 1365 1414"> </div> <div data-bbox="1029 1427 1362 1463">3 - Moderately Difficult</div>	<div data-bbox="1535 1084 1875 1185">We're here to help! Go to: https://www.bestop.com and click on Need Help?</div> <div data-bbox="1606 1242 1785 1416"></div> <div data-bbox="1491 1430 1925 1461">https://www.bestop.com/video-library</div>

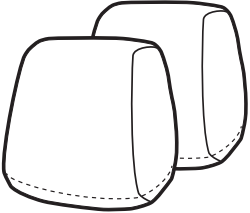
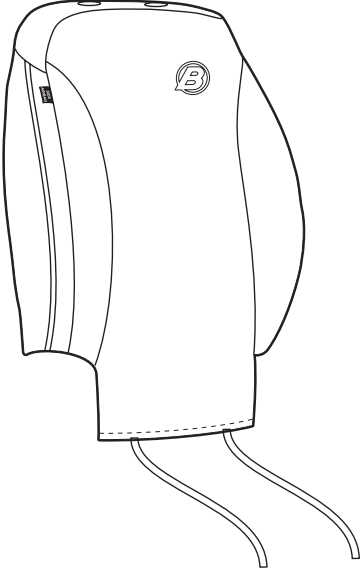
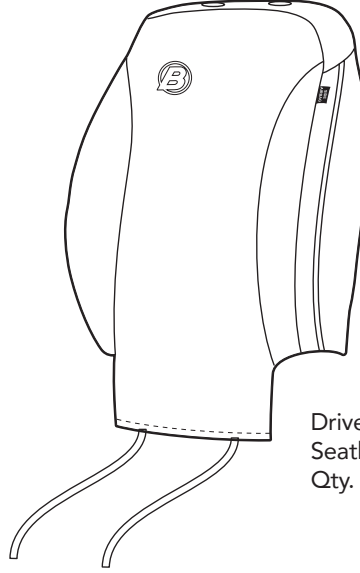


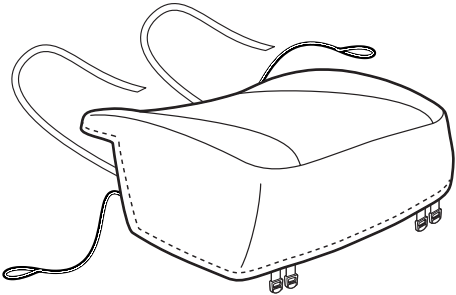
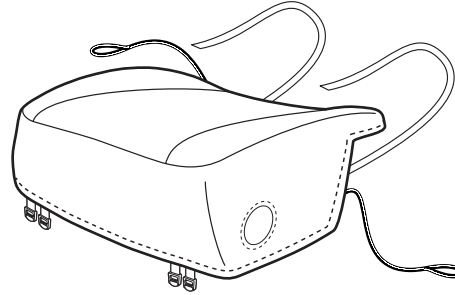
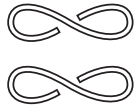
Installation Instructions Seat Covers, Front Kit

Vehicle Application:
Jeep Wrangler JL 4-Door 2018-current
Part Number 29290

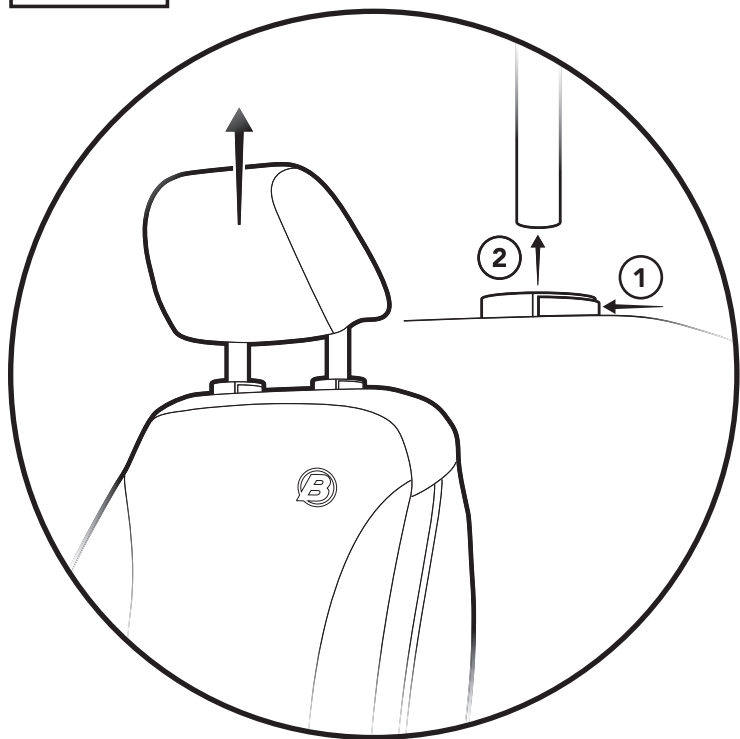
Parts List

- Required parts for installation - Page number in Installation Guide

All Sections	Headrest Covers; Seatback Covers	Pages 3 to 7 of Guide
 <p>Headrest Covers Qty. 2</p>	 <p>Passenger-Side Seatback Cover Qty. 1</p>	 <p>Driver-Side Seatback Cover Qty. 1</p>

All Sections	Seat Bottom Covers; S-Hooks	Pages 3 to 7 of Guide
 <p>Passenger-Side Seat-Bottom Cover Qty. 1</p>	 <p>Driver-Side Seat-Bottom Cover Qty. 1</p>	 <p>Seat-Bottom Elastic Cord S-Hooks Qty. 2</p>

Step 1

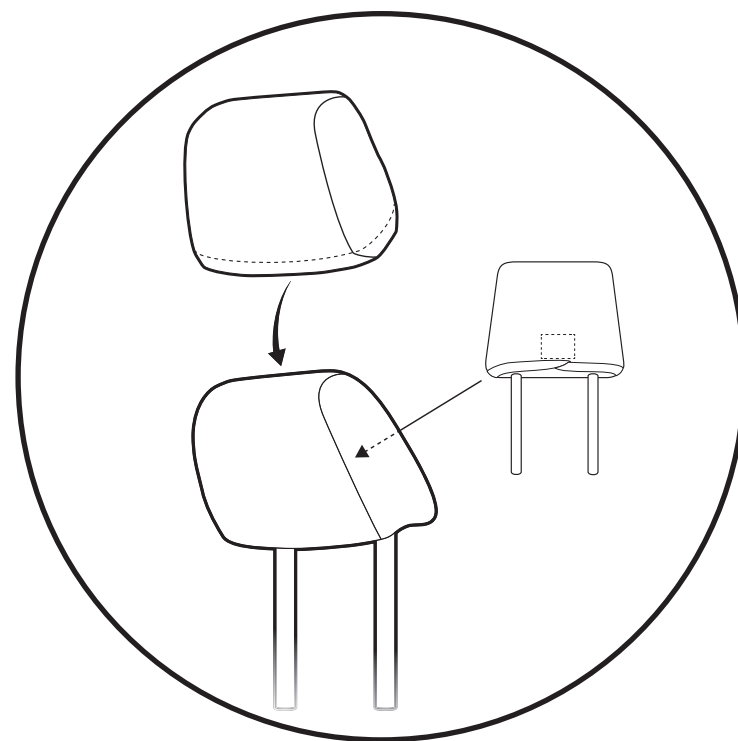


Step 1

Remove the headrest from the driver's seat by pushing in on the release buttons supporting the headrest shafts and lifting up on the headrest.

Repeat this procedure for the passenger side seat.

Step 2



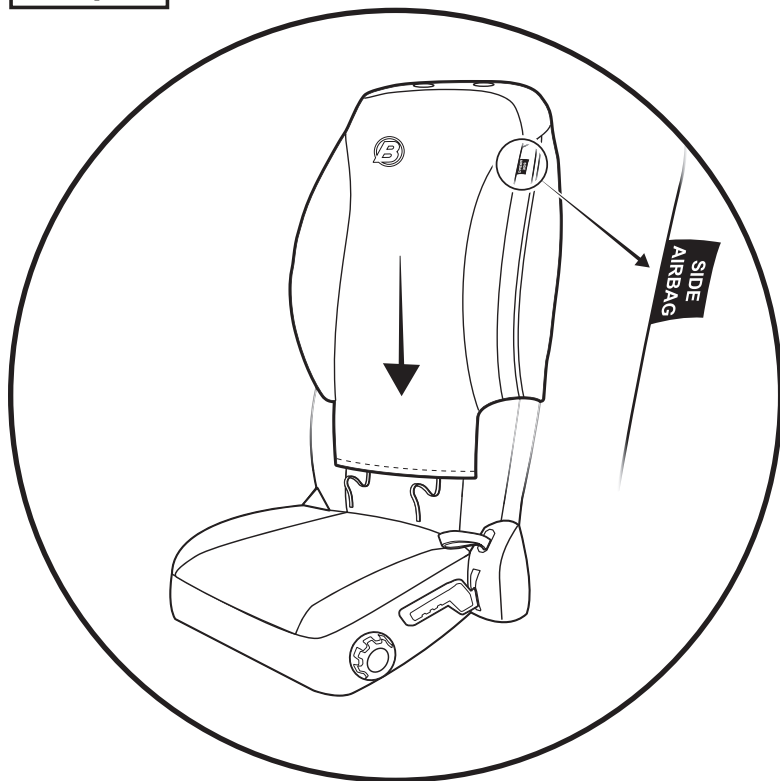
Step 2

Wrap the headrest covers over the headrests, making sure that the crossed elastic edging and internal label are at the back of each headrest.

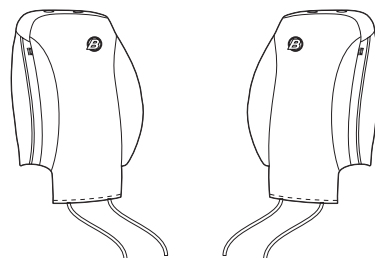
Adjust the seams for a smoother appearance.

Set headrests aside - do not reinstall at this time.

Step 1

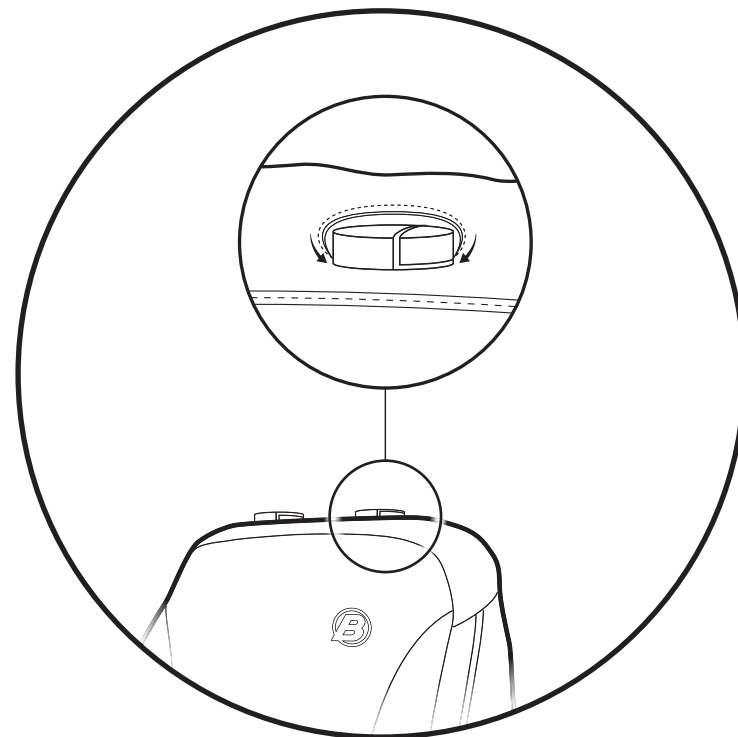


Hardware



Seatback Covers
Qty. 1 of each side

Step 2



Step 1

Slip the driver-side seat cover over the driver's seat, gently working the fabric down over the seat.

Make sure that the

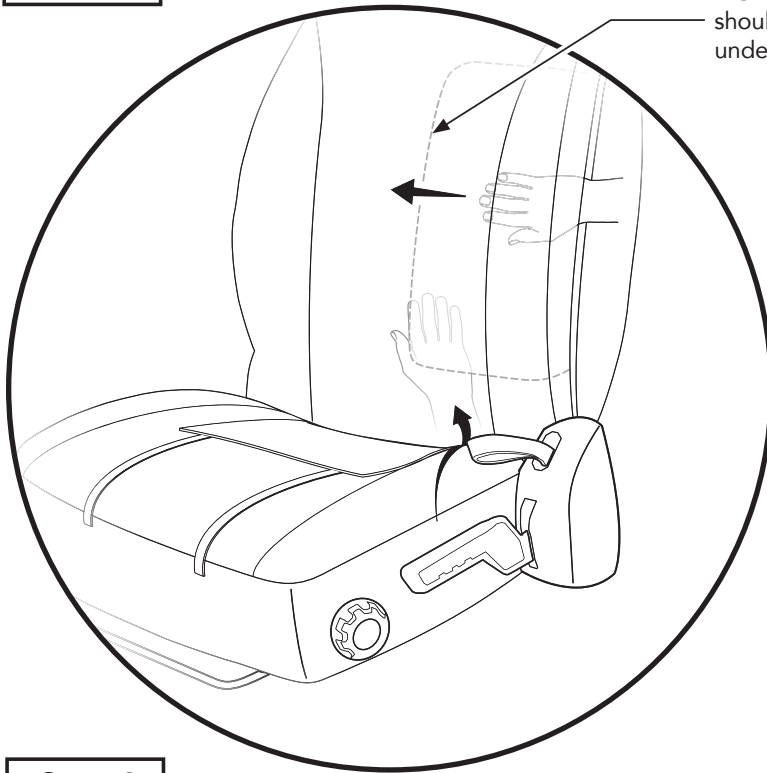
Side Airbag tag is nearest the vehicle door.

Repeat this procedure on the passenger seat.

Step 2

Carefully stretch and tuck the seat cover fabric around and under the headrest release buttons on both driver and passenger seat covers.

Step 1



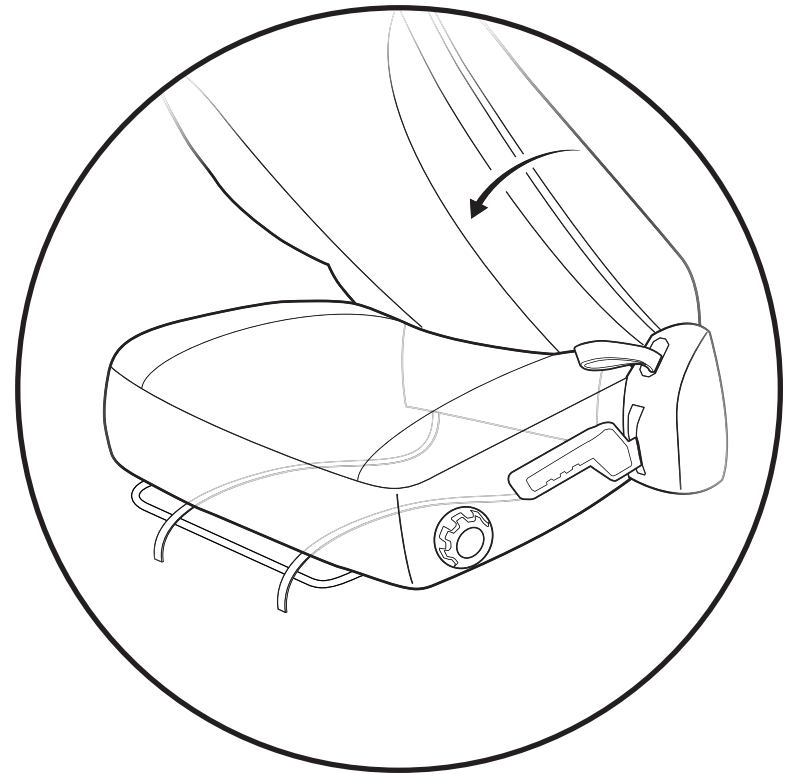
NOTE: The airbag flap should lie flat and smooth under the seat cover.

Step 1

Before you tuck the flap at the bottom of the cover between the seatback and bottom, tuck the airbag flap into the airbag opening with one hand, while at the same time reaching up under the front of the seat cover with the other hand to pull the airbag flap tight and smooth inside the seat cover.

Repeat this procedure for the passenger seat.

Step 2



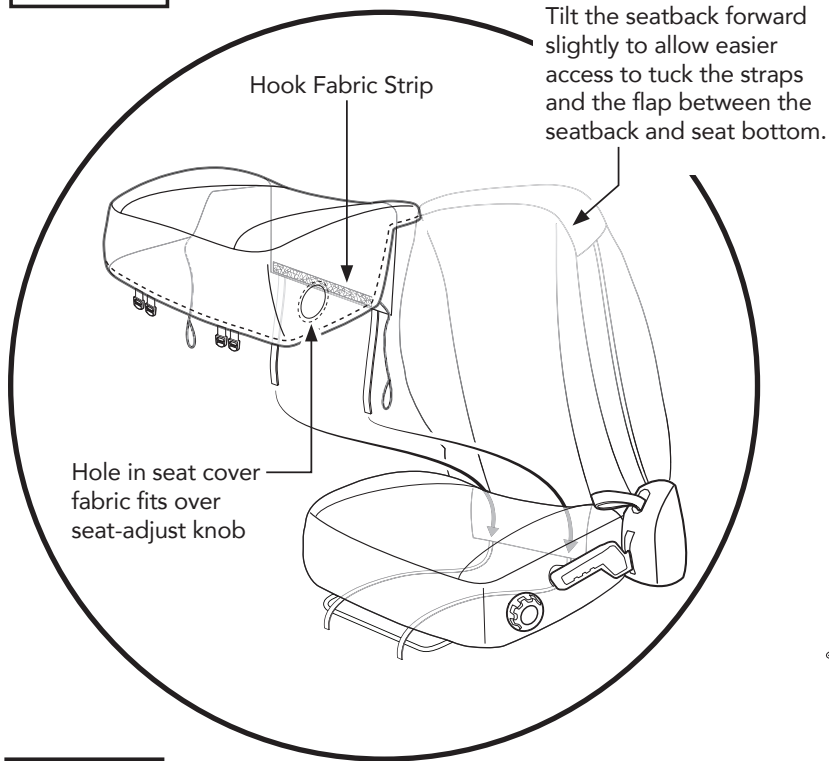
Step 2

Tilt the seatback forward and tuck the flap and the straps at the bottom of the seat cover between the seatback and the seat bottom, so the straps are underneath the seat.

Bring the straps forward, making sure that they are above all metal cross-members underneath the seat, and drape them over the slide release bar at the front of the seat.

Repeat this procedure for the passenger seat.

Step 1



Step 1

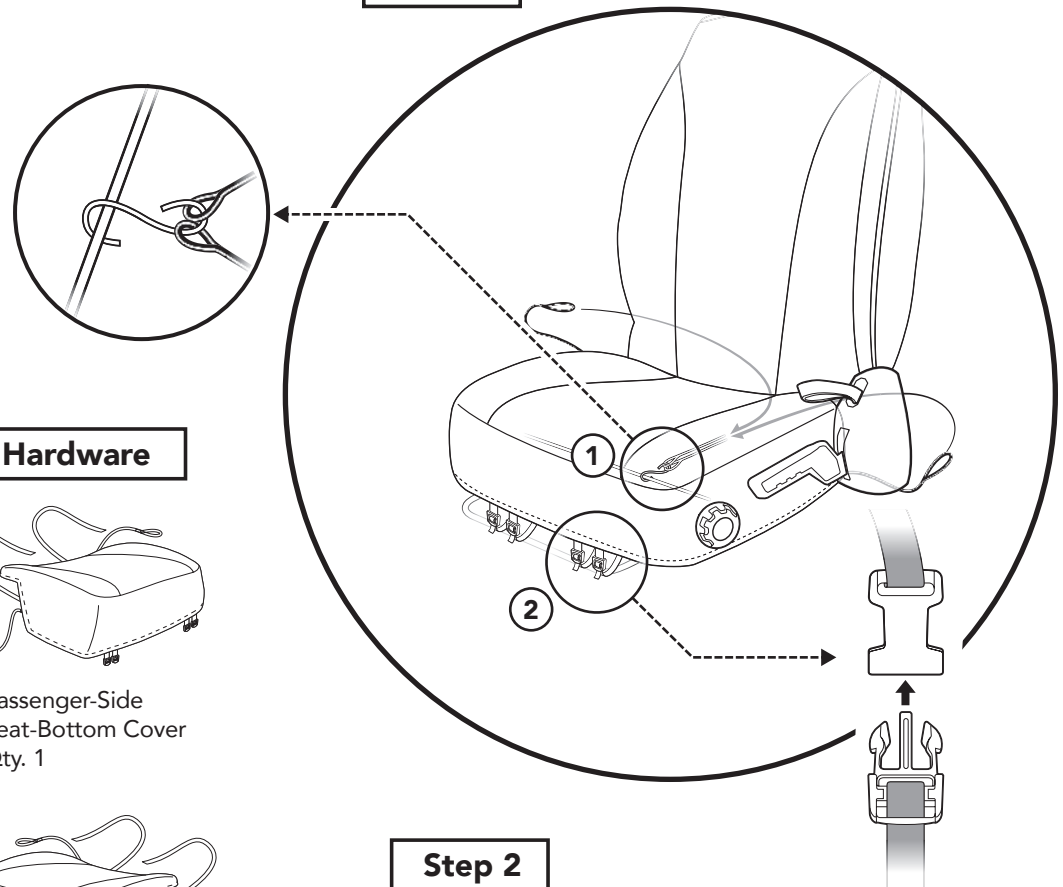
Slip the seat bottom cover over the seat, working the fabric toward the rear of the seat. Carefully fit the hole in the fabric over and around the seat adjustment knob.

Tuck the nylon straps between the seatback and the seat bottom, and bring them to the front of the underside of the seat, making sure that the straps go over all the metal cross-members underneath the seat.

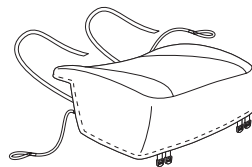
Tuck the flap between the seatback and the seat bottom, and working from behind the seat, pull the seat cover flap through enough to wrap around the factory installed carpeted flap and hook the fabric strip to the carpeted flap.

IMPORTANT: This must be done to keep the cushion seat cover from sliding forward during use.

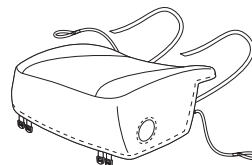
Step 2



Hardware



Passenger-Side Seat-Bottom Cover Qty. 1



Driver-Side Seat-Bottom Cover Qty. 1



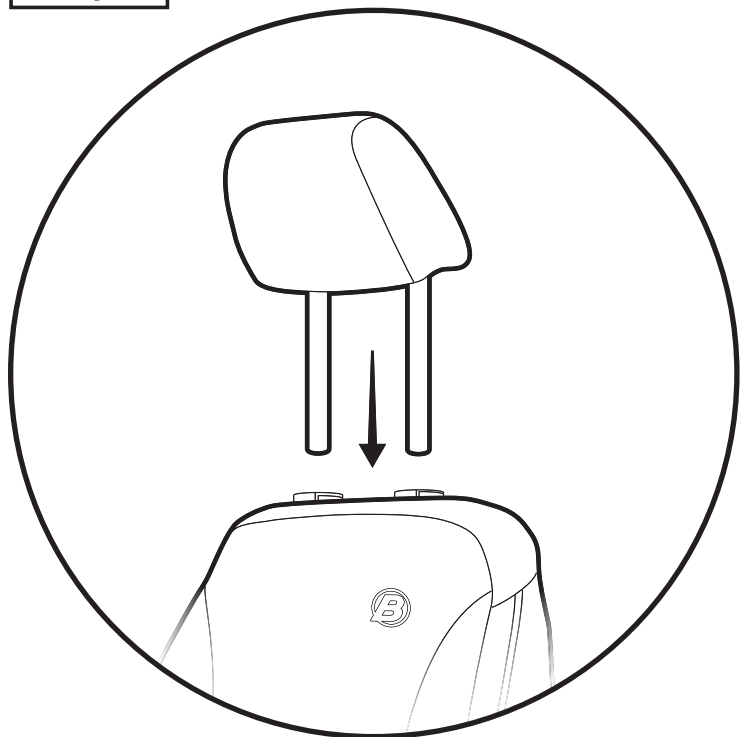
Seat-Bottom Elastic Cord S-Hooks Qty. 2

Step 2

Attach the two ends of the elastic cords to the closed end of the the s-hook. Attach the s-hook to a cross-member or wire underneath the seat, making sure to keep the cords away from the seat adjustment tracks.

Unclip the 4 side-release buckles and thread them onto the straps. Clip the buckles back together, and give the straps a gentle tug to snug the covers.

Verify the straps do not interfere with or unplug any of the wiring found under the seat. Make sure that the seat will tilt forward and back, and slide from front to back without the seat rail snagging the straps.

Step 1**Step 1**

Replace the headrests on both the driver and passenger seats.



Warranty Information Seat Covers, Front Kit

Vehicle Application:
Jeep Wrangler JL 4-Door 2018-current
Part Number 29290

WHAT BESTOP WARRANTS

Subject to the terms and conditions of sale, including any terms and conditions set forth by Bestop, Inc. ("Bestop" or "us" or "we") in our then-current terms of sale on our website (collectively, the "Terms"), Bestop represents and warrants that: the covered products listed in the "Covered Products and Warranty Periods" section (a "Product") will substantially be free from defects in materials and workmanship for the specified warranty periods set forth in that section.

THE WARRANTY IS LIMITED AND CONDITIONAL

This warranty applies to the original purchaser of the Product only. The warranty is valid only as long as the original retail purchaser owns the vehicle upon which the Product is installed. The warranty expires should the Product be removed from the original vehicle or if the original vehicle is transferred to another owner.

This warranty is not transferable or assignable. The warranty does not apply to Product bought from auction-style or price-bid websites.

THE LIMITED WARRANTY AND STATED REMEDIES ARE SOLE AND EXCLUSIVE AND IN LIEU OF ALL OTHER WARRANTIES AND REMEDIES, AND COMPANY EXPRESSLY DISCLAIMS ALL IMPLIED OR STATUTORY OR OTHER WARRANTIES, INCLUDING WITHOUT LIMITATIONS WARRANTIES OF MERCHANTABILITY, NON-INFRINGEMENT OR FITNESS FOR A PARTICULAR PURPOSE. IN NO EVENT WILL COMPANY BE LIABLE FOR ANY SPECIAL, INCIDENTAL, CONSEQUENTIAL, PUNITIVE, INDIRECT OR EXEMPLARY DAMAGES OF ANY KIND, INCLUDING LOST PROFITS OR REVENUE, HOWEVER CAUSED, WHETHER FOR BREACH OR REPUDIATION OF CONTRACT, TORT, BREACH OF WARRANTY, NEGLIGENCE, OR OTHERWISE, WHETHER OR NOT COMPANY WAS ADVISED OF THE POSSIBILITY OF SUCH LOSS OR DAMAGES.

Some states do not allow exclusion or limitation, so this may not apply to you. This warranty gives you specific legal rights, and you may have other rights which vary from state to state.

EXCLUSIONS TO THE WARRANTY

The Limited Warranty excludes, and Bestop is not liable in any way for any warranty claims, damages, or defects related to:

- Misuse, abuse, accidents, vandalism, negligence, fire, or improper installation or modification, or improper or inadequate maintenance;
- Failure to comply with any Product documentation, Bestop instructions, or applicable law or regulations; use in extreme conditions
- Force Majeure including but not limited to, earthquake, hurricane, tornado, flooding, or other disasters natural or man-made, civil unrest, strikes, declared or undeclared war, or lack of performance by, or discontinued product of, supply chain partners whose products, software, operations or management is beyond the control of Bestop;
- Damage resulting in breakage (including without limitation, spontaneous breakage, accidental breakage or breakage by any other means) of a Product or any component part;
- Damage to vinyl windows due to misuse, or cracking due to varying weather conditions.

YOUR SOLE REMEDY

During the applicable warranty period, Bestop shall, at its option, either repair or replace any Product that it confirms, in its discretion, is non-compliant with the warranties herein. Bestop will not pay for labor charges associated with installation or removal of the Product. Should a specific Product be discontinued, Bestop may, at its option, replace the discontinued Product with a current product or like product.

Please retain your proof of purchase. Original proof of purchase for the Product must accompany any warranty claim. If you have a warranty claim, first you must email Bestop Customer Service at csbestop@bestop.com for instructions. All claims must be emailed to csbestop@bestop.com within 30 days of discovery of a defective Product, but in no event later than thirty days after the end of the applicable Warranty Period (the "Warranty Notice Period"). Warranty claims made after the Warranty Notice Period are null and void and Bestop shall have no responsibility with respect to such claims.

THIS SECTION SETS FORTH BESTOP'S SOLE OBLIGATION & YOUR SOLE REMEDY WITH RESPECT TO ANY DEFECTS OR OTHER PRODUCT ISSUE. ANY PRODUCTS REPLACED UNDER TERMS OF THIS WARRANTY WILL BE COVERED UNDER TERMS & BALANCE OF THE DURATION OF THE ORIGINAL LIMITED WARRANTY FOR SUCH PRODUCT.



Warranty Information Seat Covers, Front Kit

Vehicle Application:
Jeep Wrangler JL 4-Door 2018-current
Part Number 29290

COVERED PRODUCTS AND WARRANTY PERIODS: The warranty time periods are as follows for Products manufactured by Bestop:

BESTOP® LIMITED LIFETIME WARRANTY

Trektop® Pro Twill Fabric Top Sunrider® for Hardtop Twill Fabric Top
Trektop® NX Glide Twill Fabric Top Replace-a-Top™ Twill Fabric Top
Trektop® NX Twill Fabric Top Supertop® NX Twill Fabric Top
EZFold™ Soft Tonneaus Floor & Cargo Liners
ZipRail™ Soft Tonneaus Pet Barriers
EZRoll™ Soft Tonneaus

BESTOP® 5-YEAR LIMITED WARRANTY

Trektop® NX Glide™ Top (non-Twill) Sunrider® for Hardtop (non-Twill) Replace-a-Top™ Top (non-Twill) Trektop® NX Top (non-Twill)
Sailcloth Replace-a-Top™ Supertop® NX Top (non-Twill)
Tigertop™ and Halftop™ Supertop® Classic Soft Top Sunrider® Complete Soft Top Supertop® for Truck
EZ Fold Hard Tonneau

BESTOP® 3-YEAR/100K MILES LIMITED WARRANTY

Powerboard® & Powerboard® NX
Trekstep®, Side Mount
Trekstep®, Rear Mount

BESTOP® 3-YEAR LIMITED WARRANTY

Pavement Ends Sprint Top

BESTOP® 2-YEAR LIMITED WARRANTY

Trektop® Classic Soft Top
RoughRider™ Soft Storage

BESTOP® 1-YEAR LIMITED WARRANTY

All other Bestop® & Pavement Ends™ products not specified above.

For further information or request for warranty work, please contact:

Bestop Inc. Customer Service
Toll-Free: (800)845-3567
Main: (303)465-1755
E-mail: csbestop@Bestop.com
Website: www.Bestop.com