



Installation Instructions Modular Bumper - Front

Vehicle Application:
Jeep® Wrangler 2-Door & Unlimited 2007-2017
Part Number 44945

Installation Tips

Before you begin installing your new Modular Bumper, please read all the instructions thoroughly.




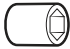


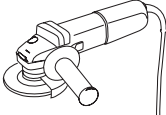



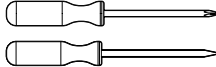




WARNING Do not rely in any way on the components of this product to protect against injury or death in the event of an accident. Never operate the vehicle in excess of manufacturer's specifications.

Read and follow, precisely, all installation instructions provided when installing this product. Failure to do so may result in a poor fit and could place occupants of the vehicle in a potentially dangerous situation.



WEAR SEAT BELTS AT ALL TIMES

CAUTION Safety glasses should be worn at all times when installing this product.

Tools					Installation Time	Support
 Safety Glasses	 18mm - 3/8" Wrench	 Socket Wrench	 10mm - 15mm 16mm - 18mm 3/8" - 1/2" Sockets	 Touch-Up Paint	 1-1/2 hours	We're here to help! Go to www.Bestop.com and click on "Contact Us"
 Angle Grinder	 Wire Stripper- Crimper	 Utility Knife	 Pliers	 Phillips and Flat Blade Screwdrivers	Skill Level     3 - Moderately Difficult	

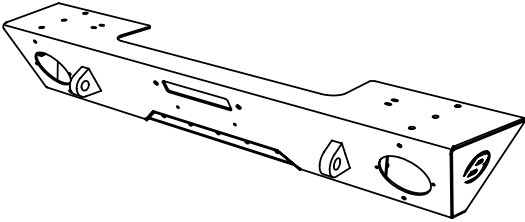
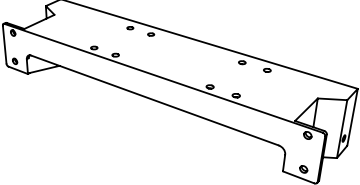

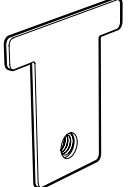
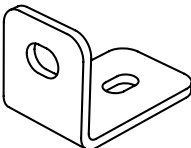


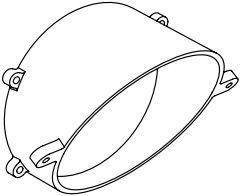
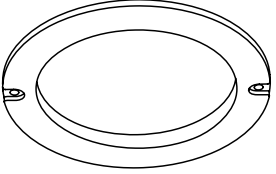

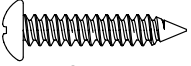
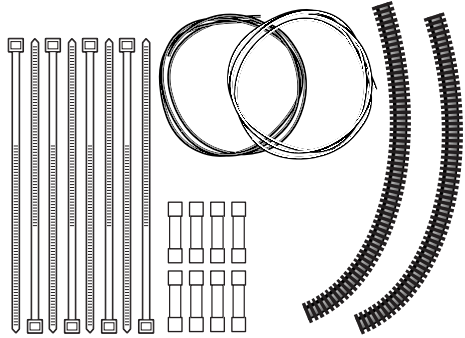
Installation Instructions Modular Bumper - Front

Vehicle Application:
Jeep® Wrangler 2-Door & Unlimited 2007-2017
Part Number 44945

Parts List

- Required parts for installation

Sections 2 to 7 Bumper, Winch Plate, T-Plates, Vacuum Canister Bracket		Pages 5 to 9 of Guide
 <p style="text-align: center;">Front Bumper Part #518.76 Qty. 1</p>	 <p style="text-align: center;">Winch Plate Part #518.71 Qty. 1</p>	<div style="border: 1px solid black; padding: 10px; text-align: center;"> <p>Parts Bundle Part #561.56</p> <div style="display: flex; justify-content: space-around; align-items: center;"> <div style="text-align: center;">  <p>M8 Nylon Lock Nut Part #470.06 Qty. 1</p> </div> <div style="text-align: center;">  <p>Threaded T-Plate Part #522.03 Qty. 2</p> </div> <div style="text-align: center;">  <p>Vacuum Canister Bracket Part #522.04 Qty. 1</p> </div> </div> </div>

Sections 2 to 7 Light Housings; Light Rings, Wiring Extension		Pages 5 to 10 of Guide
<div style="border: 1px solid black; padding: 10px; text-align: center;"> <p>Parts Bundle Part #561.53</p> <div style="display: flex; justify-content: space-around; align-items: center;"> <div style="text-align: center;">  <p>Light Housing Part #479.20 Qty. 2</p> </div> <div style="text-align: center;">  <p>Light Ring Part #479.21 Qty. 2</p> </div> </div> </div>	<div style="border: 1px solid black; padding: 10px; text-align: center;"> <p>Parts Bundle Part #561.54</p> <div style="display: flex; justify-content: center; align-items: center;"> <div style="text-align: center; margin-right: 20px;">  <p>#12x1/2" Pan Head Screw Part #486.49 Qty. 8</p> </div> <div style="text-align: center;">  <p>#10x1" Pan Head Screw Part #486.51 Qty. 4</p> </div> </div> </div>	<div style="border: 1px solid black; padding: 10px; text-align: center;"> <p>Fog Light Wiring Extension Kit Part #543.18</p>  </div>



Installation Instructions Modular Bumper - Front

Vehicle Application:
Jeep® Wrangler 2-Door & Unlimited 2007-2017
Part Number 44945

Parts List

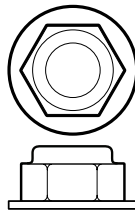
- Required parts for installation

All Sections

Fastener Hardware

All Pages

Parts Bundle
Part #561.56



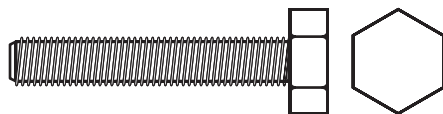
M10 Nylon Lock Nut
Part #422.76
Qty. 8



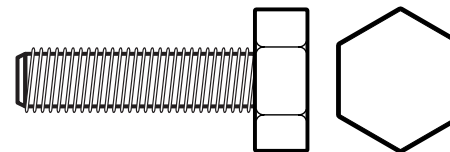
M10 Flat Washer
Part #422.77
Qty. 8



M12 Flat Washer
Part #548.12
Qty. 2

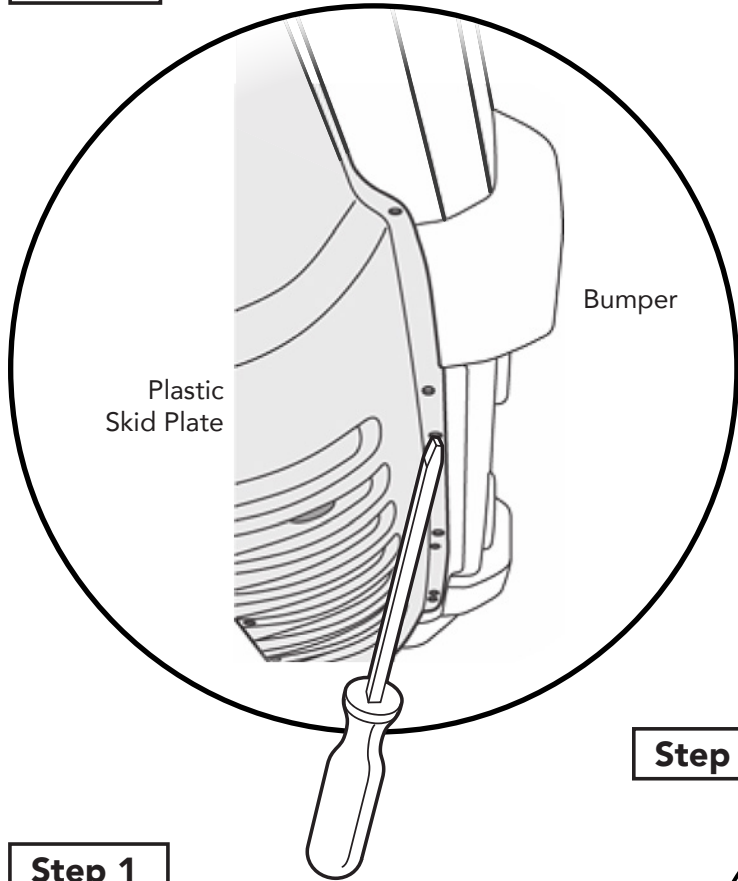


M8 - 1.25x30mm
Hex Head Bolt
Part #522.02
Qty. 1



M12 - 1.75x25mm
Hex Head Bolt
Part #527.80
Qty. 2

Step 1



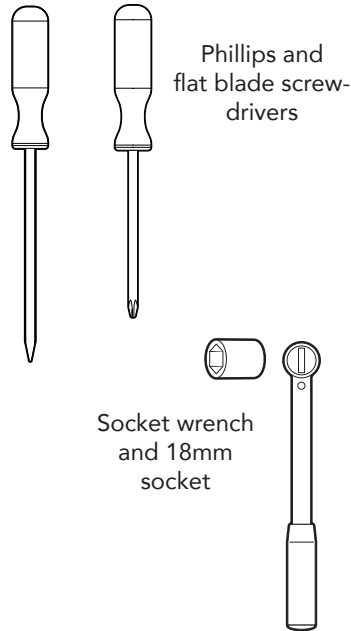
Step 1

Use a flat blade screwdriver or pliers to pry out the four (4) fasteners that secure the edge of the plastic skid plate.

Step 2

Use a Phillips screwdriver to remove the push fasteners that secure the brackets on the skid plate to the vehicle frame.

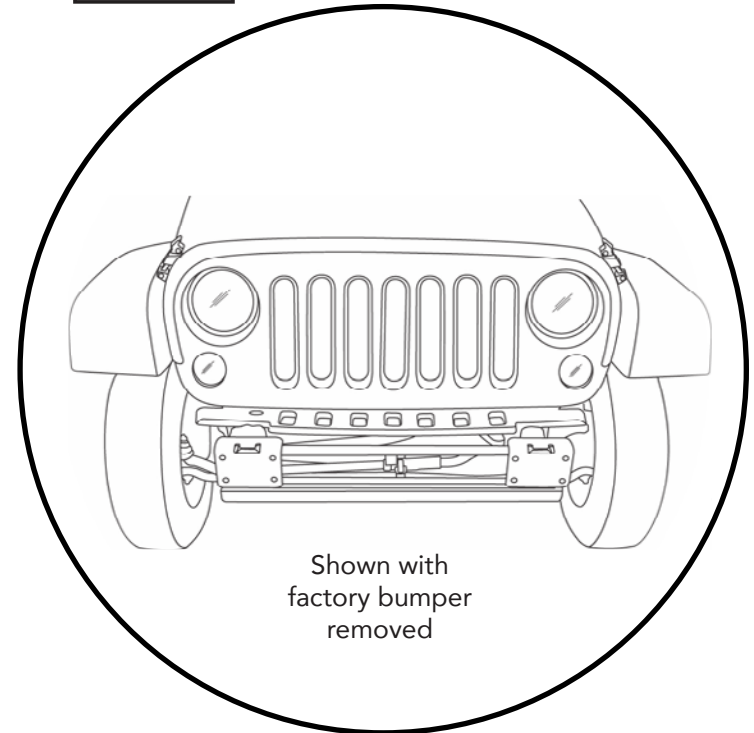
Tools



Phillips and flat blade screwdrivers

Socket wrench and 18mm socket

Step 3



Step 3

Use a socket wrench to remove the four (4) nuts on each side of the factory bumper that secure the bumper to the vehicle frame.

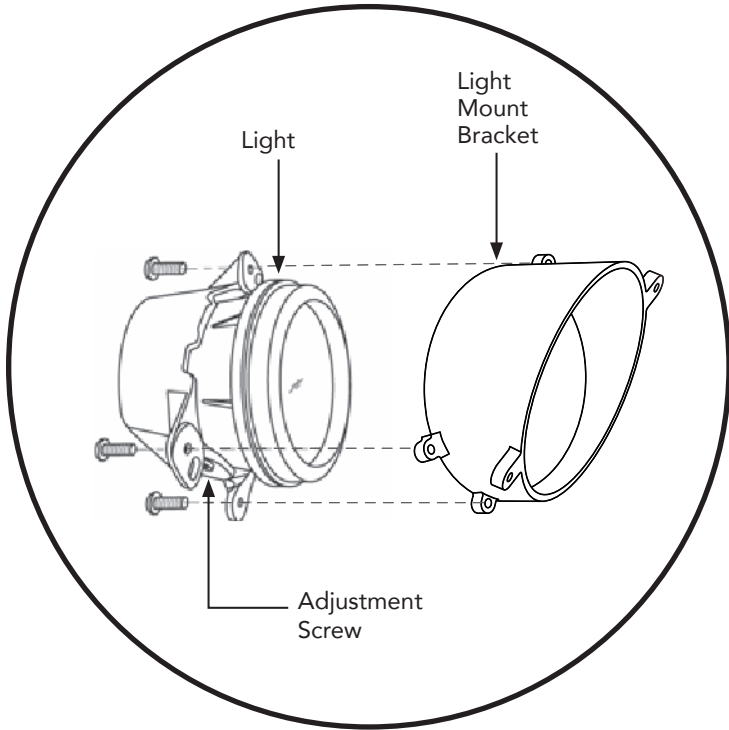
Access these nuts from behind the bumper.

Slide the bumper off the studs.

NOTE: View above shown with bumper removed to indicate location of nuts.

CAUTION If you have a Jeep® with factory fog lights, you must disconnect them before removing the factory bumper.

Step 1



Step 1

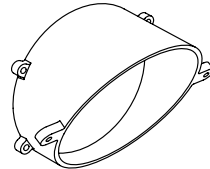
Remove the fog lights from the original bumper.

Use four (4) #12 x 1/2" Pan Head Screws #486.49 on each light to attach the light to a Light Housing #479.20.

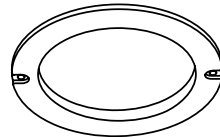
Make sure that the light adjustment screw is facing down (toward the thinner section of the Light Housing).

Hardware

**Parts Bundle
Part #561.53**



Light Housing
Part #479.20
Qty. 2

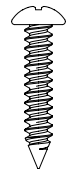


Light Ring
Part #479.21
Qty. 2

**Parts Bundle
Part #561.54**

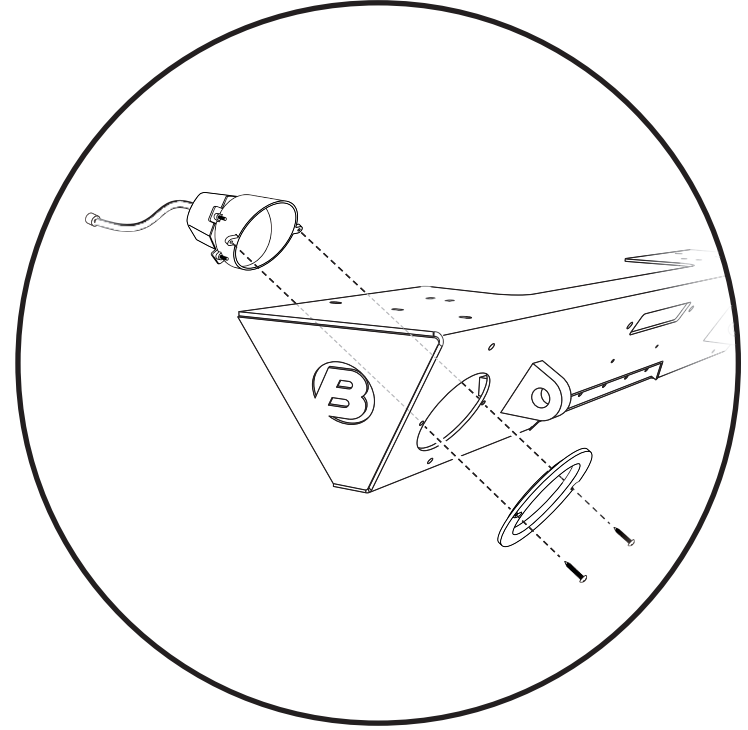


#12x1/2"
Pan Head Screw
Part #486.49
Qty. 8



#10x1"
Pan Head Screw
Part #486.51
Qty. 4

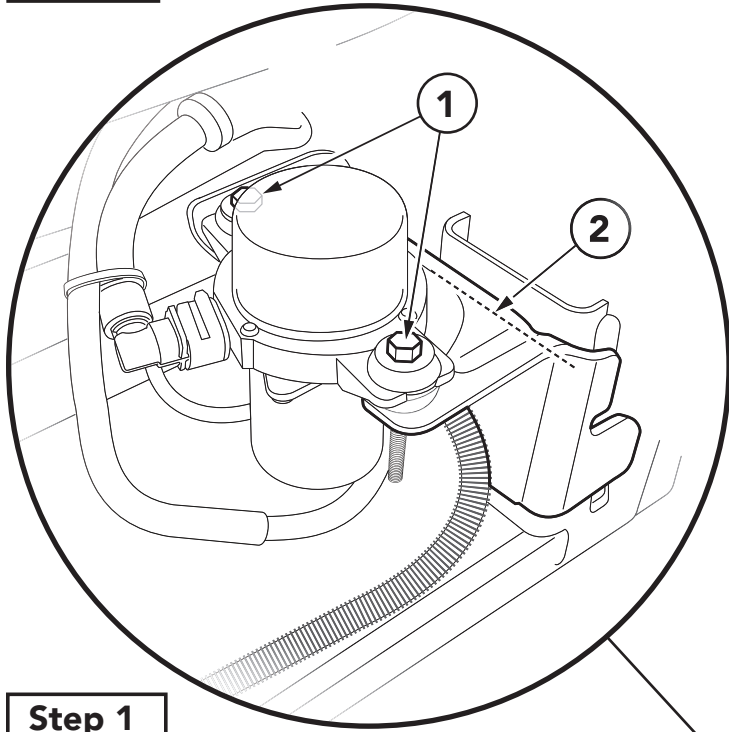
Step 2



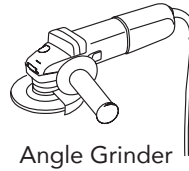
Step 2

Attach each light assembly to the Bumper, using one Light Ring #479.21 with two (2) #10x1" Pan Head Screws #486.51 per light assembly.

Step 1



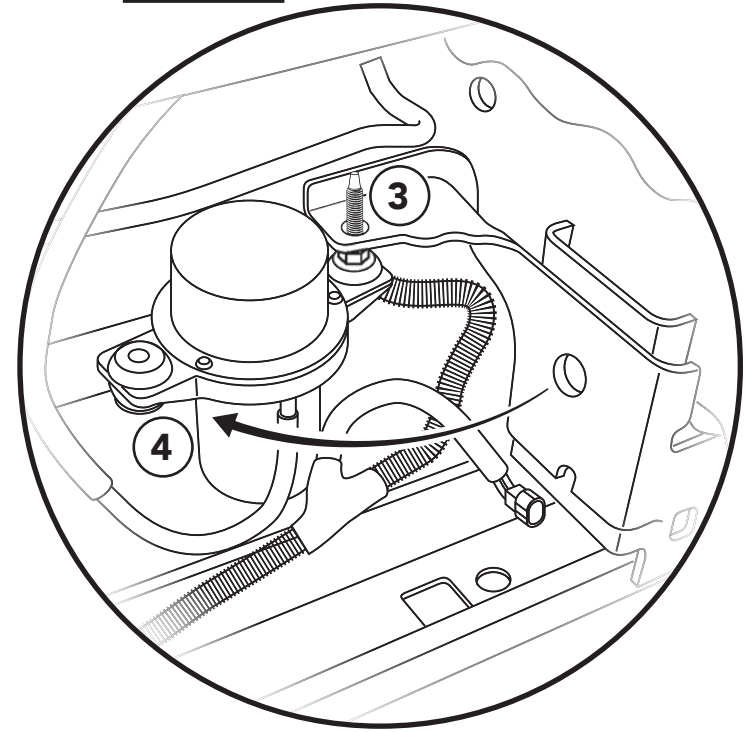
Tools



Angle Grinder

Socket wrench
and 10mm
socket

Step 2

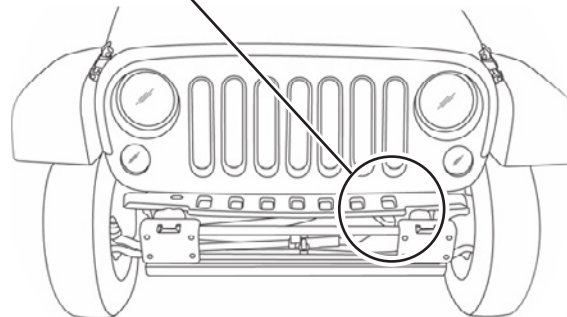


Step 1

① Remove the bolts indicated that attach the vacuum canister to the vehicle bracket, and move the canister away from the bracket. Set the bolts aside for later use.

② Using an angle grinder, cut off the tab on the bracket that the vacuum canister was bolted to, along a line indicated by the dashed line above. The tab must be ground completely off, so that the area where the tab was is completely flush with the vertical flange of the bracket.

NOTE: Apply a protective coat of paint after cutting away the vacuum canister bracket tab to prevent corrosion.

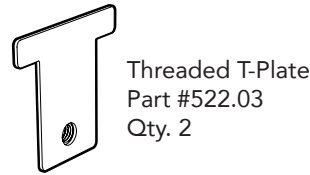
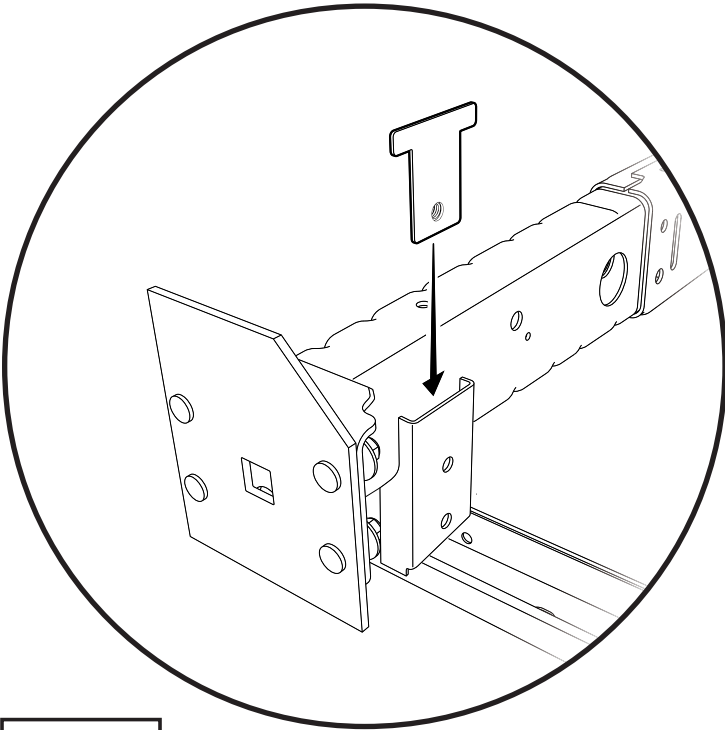


Step 2

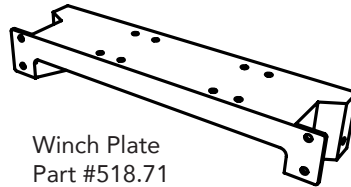
③ Replace the bolt at the back of the vacuum canister, which attaches the canister to the vehicle bracket, and install it upside down, from the bottom up, and with the flange on the canister underneath the bracket tab.

④ Swivel the canister 90° as shown above. The remaining flange on the canister will attach to a provided bracket later in the installation process.

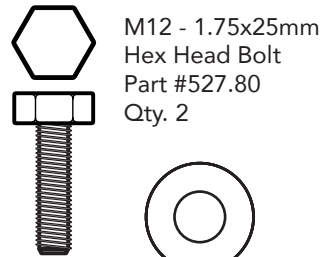
Step 1 522.03



Threaded T-Plate
Part #522.03
Qty. 2



Winch Plate
Part #518.71
Qty. 1

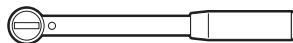


M12 - 1.75x25mm
Hex Head Bolt
Part #527.80
Qty. 2



M12 Flat Washer
Part #548.12
Qty. 2

Tools



Socket wrench
and 18mm
socket

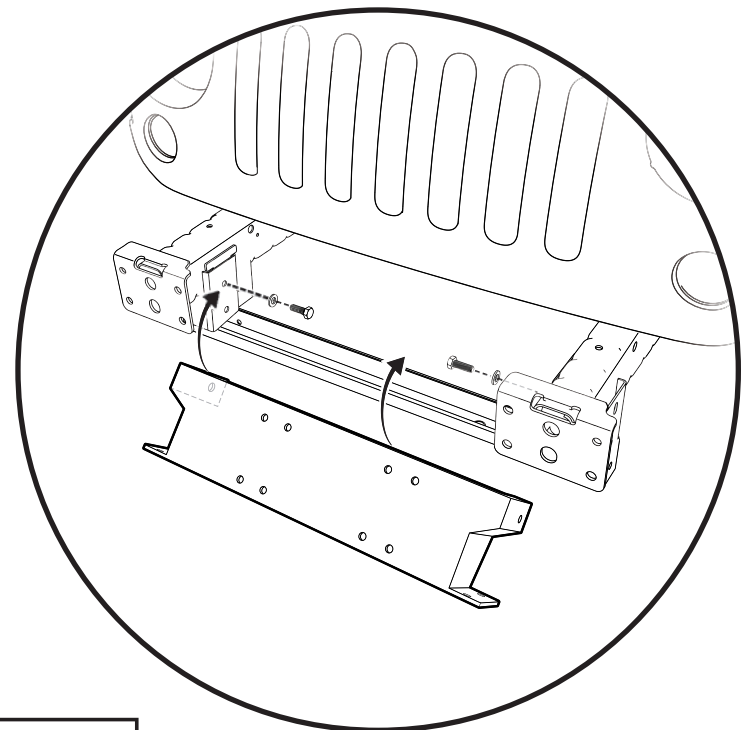
Step 1

Drop a Threaded T-Plate into the pocket in the vehicle frame as shown above (left side shown).

The weld-nut on the T-Plate should be on the side facing away from the center of the vehicle.

Repeat this on the right side of the vehicle.

Step 2 518.71 527.80 548.12



Step 2

① Slide the Winch Plate #518.71 in between the vehicle frame members from underneath, and then rotate the front part of the winch plate up and into place.

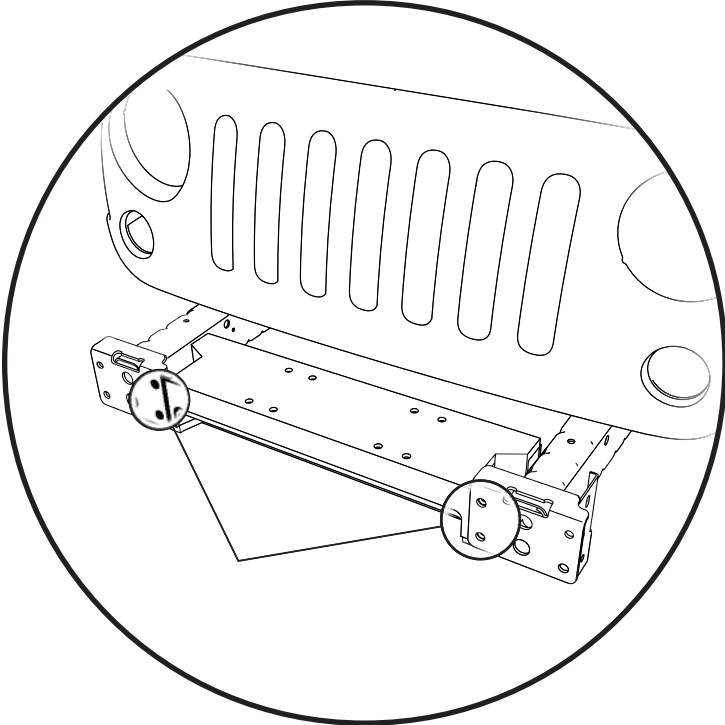
Align the holes in the Winch Plate with the holes in the vehicle frame members and with the holes in the T-Plates.

② Use two (2) M12-1.75x25 Hex Head Bolts #527.80 and two (2) M12 Flat Washers #a548.12 to loosely secure the Winch Plate in place - do not tighten these fasteners at this time.

You may need to use a hammer and a wood block to nudge the Winch Plate into place.

If the Winch Plate won't slide into position, check to see if you ground enough of the vacuum canister bracket tab off.

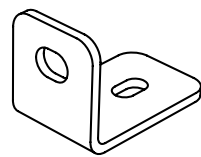
Step 1



Step 1

The Winch Plate will be in the correct position when the holes in the vehicle bumper mounting plates indicated above are aligned with the holes in the Winch Plate.

Hardware



Vacuum Canister Bracket
Part #479.21
Qty. 1

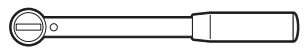


M8 Nylon Lock Nut
Part #470.06
Qty. 1



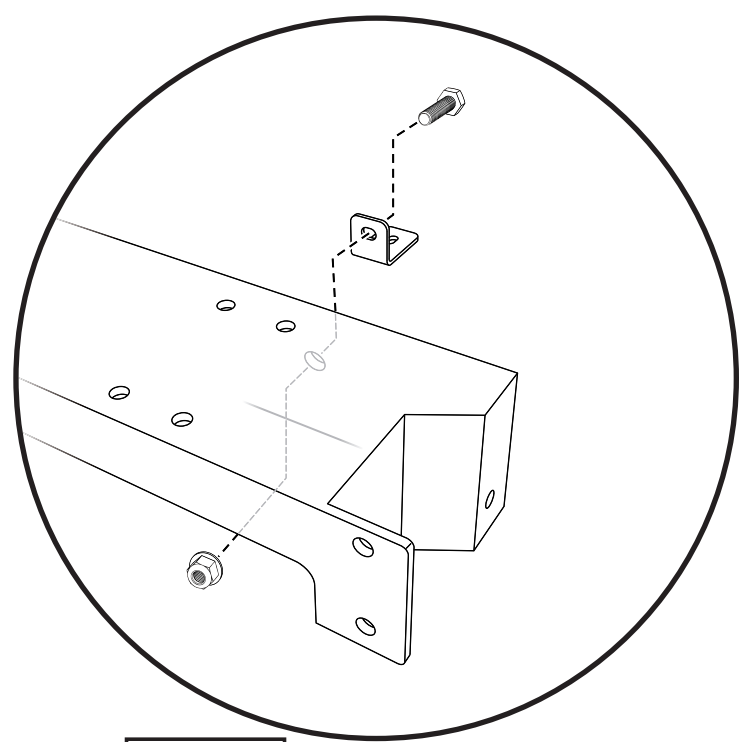
M8 - 1.25x30mm
Hex Head Bolt
Part #522.02
Qty. 1

Tools



Socket wrench
and 13mm
socket

Step 2	479.21	522.02	470.06
---------------	--------	--------	--------



Step 2

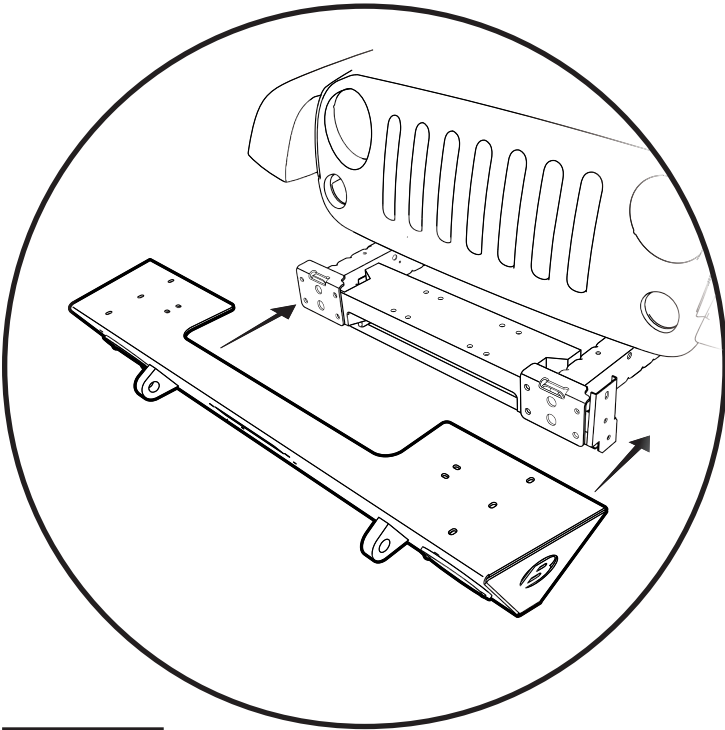
Attach the Vacuum Canister Bracket #479.21 to the back side of the Winch Plate, using one (1) M8-1.25x30 Hex Head Bolt #522.02 and one (1) M8 Nylock Nut #470.06.

Use the bolt you removed from the vacuum canister bracket in an earlier step to attach the vacuum canister to the Vacuum Canister Bracket.

The canister flange will sit below the Vacuum Canister Bracket, and the bolt will be installed from the bottom of the bracket.

The vehicle is not shown in the above diagram for clarity.

Step 1 518.76



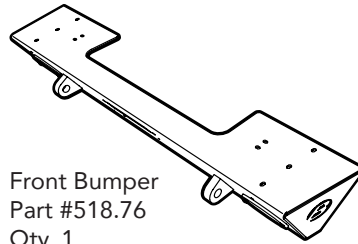
Step 1

Slide the Bumper onto the vehicle bumper mounting plates.

There are four (4) studs on each side of the bumper. These studs go through the four (4) holes in each bumper mounting plate.

NOTE: It may require two people to slide the Bumper into place.

Hardware



Front Bumper
Part #518.76
Qty. 1

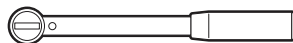


M10 Nylon Lock Nut
Part #422.76
Qty. 10



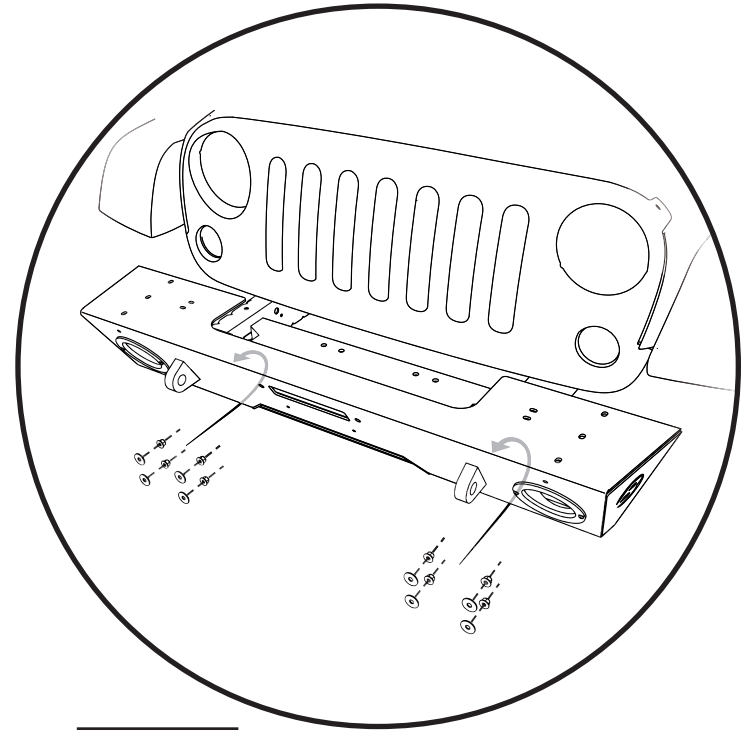
M10 Flat Washer
Part #422.77
Qty. 8

Tools



Socket wrench
and 16mm
socket

Step 2 422.76 422.77

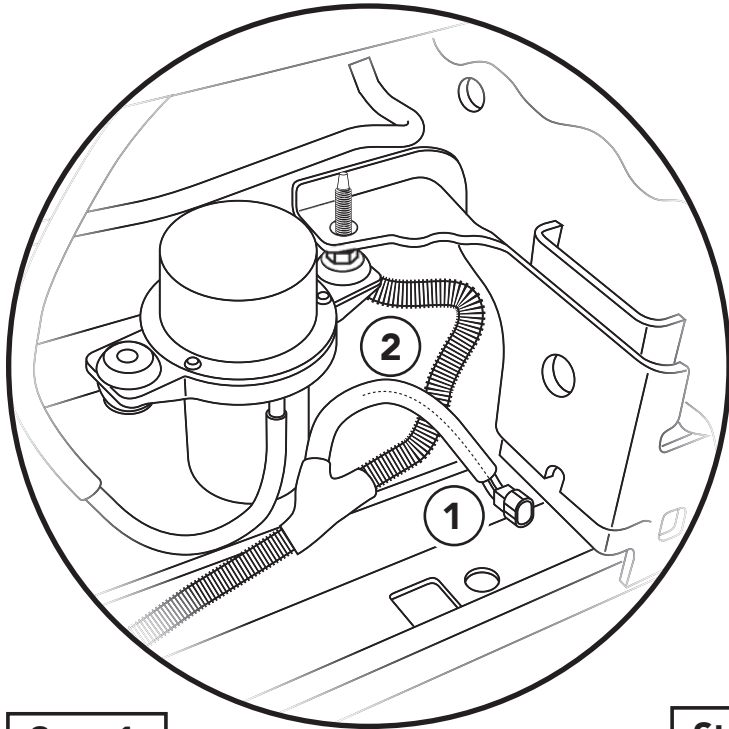


Step 2

Secure the Bumper to the vehicle bumper mounting plates with eight (8) M10 Nylon Lock Nuts #422.76 and eight (8) M10 Flat Washers #422.77.

Tighten all fasteners at this time.

Step 1 543.18



Step 1

① Locate the wrapped wires for the fog light. Remove the tape, and ② use a utility knife to open the factory wire loom.

Step 2

Cut the wires about 2-3" from the plug. It is suggested that you cut one wire about 1.25" longer than the other, to allow an easier fit into the wire wrap.

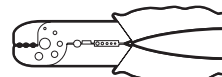
Strip both ends of the cut Factory wires.

Strip both ends of the extension wires in the Extension Kit #543.18.

Hardware

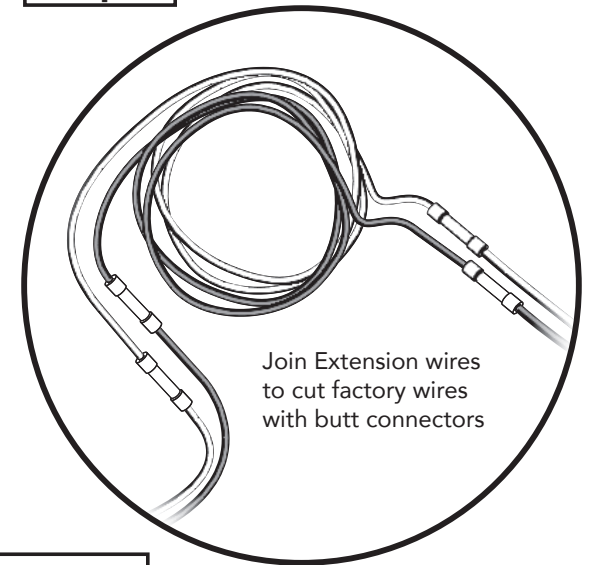


Tools



Wire Stripper-Crimper

Step 3



Join Extension wires to cut factory wires with butt connectors

Step 3

Crimp butt connectors to both stripped ends of the Extension wires.

Join the extension wires to the cut ends of the factory wires, crimping the ends together with the butt connectors.

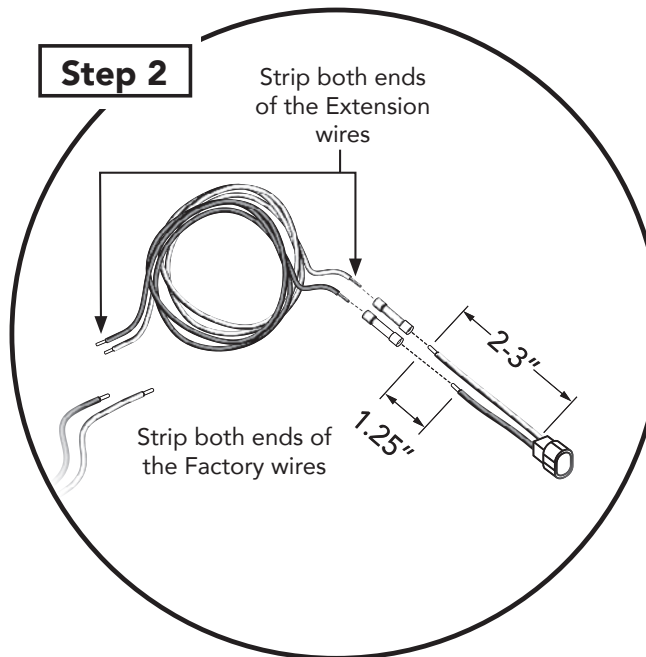
- Black Extension wire attaches to the black factory wires
- White Extension wire attaches to white w/black stripe factory wire.

Cover the wire extensions with provided wire loom. Secure the loom with provided wire ties or electrical tape.

Repeat on both sides of the vehicle.

Connect the extended wires with factory plugs to the fog lights and check for proper function.

Step 2





Installation Instructions Modular Bumper - Front

Vehicle Application:
Jeep® Wrangler 2-Door & Unlimited 2007-2017
Part Number 44945

WHAT BESTOP WARRANTS

Subject to the terms and conditions of sale, including any terms and conditions set forth by Bestop, Inc. ("Bestop" or "us" or "we") in our then-current terms of sale on our website (collectively, the "Terms"), Bestop represents and warrants that: the covered products listed in the "Covered Products and Warranty Periods" section (a "Product") will substantially be free from defects in materials and workmanship for the specified warranty periods set forth in that section.

THE WARRANTY IS LIMITED AND CONDITIONAL

This warranty applies to the original purchaser of the Product only. The warranty is valid only as long as the original retail purchaser owns the vehicle upon which the Product is installed. The warranty expires should the Product be removed from the original vehicle or if the original vehicle is transferred to another owner. This warranty is not transferable or assignable. The warranty does not apply to Product bought from auction-style or price-bid websites.

THE LIMITED WARRANTY AND STATED REMEDIES ARE SOLE AND EXCLUSIVE AND IN LIEU OF ALL OTHER WARRANTIES AND REMEDIES, AND COMPANY EXPRESSLY DISCLAIMS ALL IMPLIED OR STATUTORY OR OTHER WARRANTIES, INCLUDING WITHOUT LIMITATIONS WARRANTIES OF MERCHANTABILITY, NON-INFRINGEMENT OR FITNESS FOR A PARTICULAR PURPOSE. IN NO EVENT WILL COMPANY BE LIABLE FOR ANY SPECIAL, INCIDENTAL, CONSEQUENTIAL, PUNITIVE, INDIRECT OR EXEMPLARY DAMAGES OF ANY KIND, INCLUDING LOST PROFITS OR REVENUE, HOWEVER CAUSED, WHETHER FOR BREACH OR REPUDIATION OF CONTRACT, TORT, BREACH OF WARRANTY, NEGLIGENCE, OR OTHERWISE, WHETHER OR NOT COMPANY WAS ADVISED OF THE POSSIBILITY OF SUCH LOSS OR DAMAGES. *Some states do not allow exclusion or limitation, so this may not apply to you. This warranty gives you specific legal rights, and you may have other rights which vary from state to state.*

EXCLUSIONS TO THE WARRANTY

The Limited Warranty excludes, and Bestop is not liable in any way for any warranty claims, damages, or defects related to:

- Misuse, abuse, accidents, vandalism, negligence, fire, or improper installation or modification, or improper or inadequate maintenance;
- Failure to comply with any Product documentation, Bestop instructions, or applicable law or regulations; use in extreme conditions
- Force Majeure including but not limited to, earthquake, hurricane, tornado, flooding, or other disasters natural or man-made, civil unrest, strikes, declared or undeclared war, or lack of performance by, or discontinued product of, supply chain partners whose products, software, operations or management is beyond the control of Bestop;
- Damage resulting in breakage (including without limitation, spontaneous breakage, accidental breakage or breakage by any other means) of a Product or any component part;
- Damage to vinyl windows due to misuse, or cracking due to varying weather conditions.

YOUR SOLE REMEDY

During the applicable warranty period, Bestop shall, at its option, either repair or replace any Product that it confirms, in its discretion, is non-compliant with the warranties herein. Bestop will not pay for labor charges associated with installation or removal of the Product. Should a specific Product be discontinued, Bestop may, at its option, replace the discontinued Product with a current product or like product. If Bestop opts to repair or replace your Product as set forth herein, Bestop shall use reasonable efforts to match any patch or replacement to the color and texture of your existing Product. There is no guarantee however, that Bestop will be able to match the color or texture. If Bestop is not able to match the color or texture, it may provide you with a black or neutral colored patch replacement in its discretion.

Please retain your proof of purchase. Original proof of purchase for the Product must accompany any warranty claim. If you have a warranty claim, first you must email Bestop Customer Service at csbestop@bestop.com for instructions. All claims must be emailed to csbestop@bestop.com within 30 days of discovery of a defective Product, but in no event later than thirty days after the end of the applicable Warranty Period (the "Warranty Notice Period"). Warranty claims made after the Warranty Notice Period are null and void and Bestop shall have no responsibility with respect to such claims.

THIS SECTION SETS FORTH BESTOP'S SOLE OBLIGATION & YOUR SOLE REMEDY WITH RESPECT TO ANY DEFECTS OR OTHER PRODUCT ISSUE. ANY PRODUCTS REPLACED UNDER TERMS OF THIS WARRANTY WILL BE COVERED UNDER TERMS & BALANCE OF THE DURATION OF THE ORIGINAL LIMITED WARRANTY FOR SUCH PRODUCT.



Installation Instructions Modular Bumper - Front

Vehicle Application:
Jeep® Wrangler 2-Door & Unlimited 2007-2017
Part Number 44945

COVERED PRODUCTS AND WARRANTY PERIODS: The warranty time periods are as follows for Products manufactured by Bestop:

BESTOP® LIMITED LIFETIME WARRANTY

Trektop® Pro Twill Fabric Top	Sunrider® for Hardtop Twill Fabric Top
Trektop® NX Glide Twill Fabric Top	Replace-a-Top™ Twill Fabric Top
Trektop® NX Twill Fabric Top	Supertop® NX Twill Fabric Top
EZFold™ Soft Tonneaus	Floor & Cargo Liners
ZipRail™ Soft Tonneaus	Pet Barriers
EZRoll™ Soft Tonneaus	

BESTOP® 5-YEAR LIMITED WARRANTY

Trektop® NX Glide™ Top (non-Twill)	Sunrider® for Hardtop
(non-Twill) Replace-a-Top™ Top (non-Twill)	Trektop® NX Top (non-Twill)
Sailcloth Replace-a-Top™	Supertop® NX Top (non-Twill)
Tigertop™ and Halftop™	Supertop® Classic Soft Top
Sunrider® Complete Soft Top	Supertop® for Truck
EZ Fold Hard Tonneau	

BESTOP® 3-YEAR/100K MILES LIMITED WARRANTY

Powerboard® & Powerboard® NX
Trekstep®, Side Mount
Trekstep®, Rear Mount

BESTOP® 3-YEAR LIMITED WARRANTY

Pavement Ends Sprint Top

BESTOP® 2-YEAR LIMITED WARRANTY

Trektop® Classic Soft Top
RoughRider™ Soft Storage

BESTOP® 1-YEAR LIMITED WARRANTY

All other Bestop® & Pavement Ends™ products not specified above.

For further information or request for warranty work, please contact:

Bestop Inc. Customer Service

Toll-Free: (800)845-3567

Main: (303)465-1755

E-mail: csbestop@Bestop.com

Website: www.Bestop.com