



# Installation Instructions HighRock 4x4™ Element™ Front Door Frame

Vehicle Application:  
Jeep® Wrangler 2&4-Door 2007-2017  
Part Number 51810/51826

## Installation Tips












Before you install your new High Rock 4x4™ Element™ Door Frame, please read all the instructions thoroughly.

**! WARNING** This product is designed primarily to enhance the appearance of the vehicle and to shield the occupants from ordinary weather conditions. Do not rely in any way on the components of this product to protect against injury or death in the event of an accident. Never operate the vehicle in excess of manufacturer’s specifications.

Read and follow, precisely, all installation instructions provided when installing this product. Failure to do so may result in a poor fit and could place occupants of the vehicle in a potentially dangerous situation.



## WEAR SEAT BELTS AT ALL TIMES

Tools			Installation Time	Support
 Safety Glasses	 #2 Phillips Screwdriver	 3/8" Wrench	 <b>30 Minutes</b>	We're here to help! Go to <a href="http://www.Bestop.com">www.Bestop.com</a> and click on "Contact Us"
 3mm & 5mm Allen Wrenches	 Ratchet	 T40 & T45 Torx Driver	<b>Skill Level</b>     <b>1 - Easy</b>	



## Installation Instructions HighRock 4x4™ Element™ Front Door Frame

Vehicle Application:  
Jeep® Wrangler 2&4-Door 2007-2017  
Part Number 51810/51826

### Sugerencias de Instalación

**Antes de empezar a instalar esta unidad, lea atentamente todas las instrucciones.**

**Para un buen ajuste:**

Para facilitar la instalación, el producto debe instalarse a temperaturas superiores a 72 °F (22 °C).

Por debajo de esta temperatura, la tela puede encogerse una pulgada o más, lo que dificultaría su ajuste al vehículo.

Es normal que la tela se contraiga o arrugue cuando está guardada en la caja de empaque. A los pocos días después de la instalación, la tela se relajará y las arrugas desaparecerán.



#### ADVERTENCIA

Este producto se diseñó principalmente para mejorar la apariencia del vehículo y proteger a los ocupantes de las condiciones climáticas comunes. De ninguna manera piense que los componentes de este producto pueden servir como medio de contención para los ocupantes del vehículo o que pueden protegerlos contra lesiones o la muerte en caso de accidente. Este producto no protegerá a los ocupantes contra caídas de objetos. Nunca conduzca este vehículo fuera de las especificaciones del fabricante.

#### USE LOS CINTURONES DE SEGURIDAD EN TODO MOMENTO

Lea y siga con precisión todas las instrucciones de instalación que se proporcionan para instalar este producto. Si no lo hace, podría producirse un mal ajuste que colocaría a los ocupantes del vehículo en una situación potencialmente peligrosa.



#### PRECAUCIÓN

Debe usar gafas protectoras en todo momento durante la instalación de este producto.

### Conseils pour l'installation

**Lire toutes les instructions au complet avant de commencer l'installation de cet assemblage.**

**Pour un ajustement sans problème :**

Afin de faciliter l'installation, ce produit doit être installé à des températures au-dessus de 72 °F (22 °C).

Sous cette température, le tissu peut rétrécir d'un pouce (2,5 cm) ou plus, ce qui rendra l'ajustement sur le véhicule difficile.

Il est normal que le tissu rétrécisse et plisse pendant qu'il est dans la boîte d'expédition. En quelques jours après l'installation, le tissu se détendra et les plis disparaîtront.



#### AVERTISSEMENT

Ce produit est conçu principalement pour améliorer l'apparence du véhicule et pour protéger les occupants des conditions météorologiques usuelles. Ne jamais se fier aux composants de ce produit pour se protéger de blessures ou de la mort en cas d'accident. Ce produit ne protégera pas les occupants des chutes d'objets. Ne jamais utiliser le véhicule au-delà des caractéristiques techniques indiquées par le fabricant.

#### PORTER UNE CEINTURE DE SÉCURITÉ EN TOUT TEMPS

Lire et suivre, très fidèlement, toutes les instructions d'installation fournies lors de l'installation de ce produit. Ne pas suivre cette consigne peut causer une installation inadéquate et mettre les occupants du véhicule dans une situation potentiellement dangereuse.



#### MISE EN GARDE

Des lunettes de sécurité doivent être portées en tout temps lors de l'installation de ce produit.

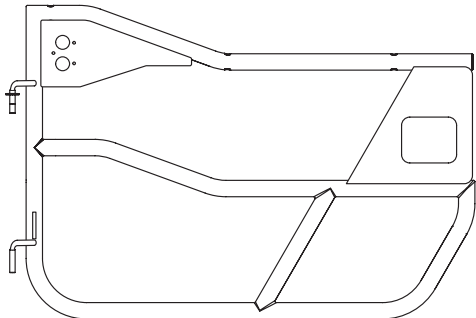
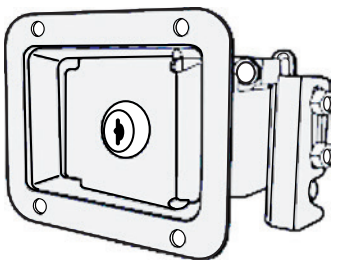
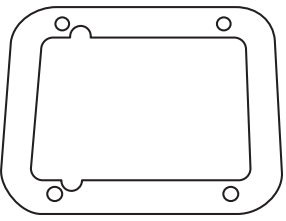
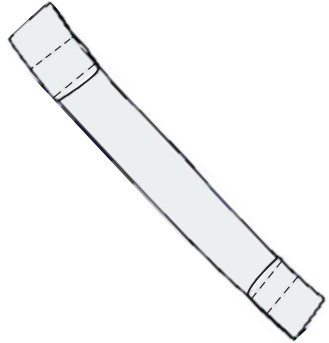
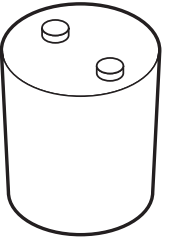
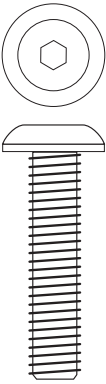
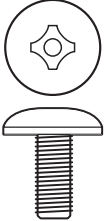
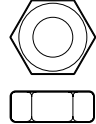
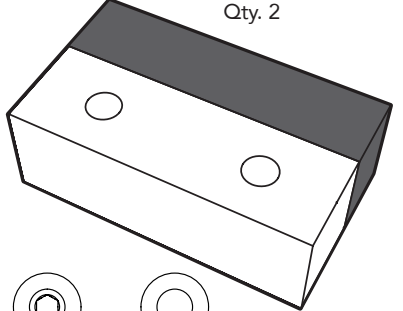
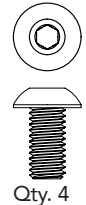
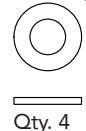


# Installation Instructions HighRock 4x4™ Element™ Front Door Frame

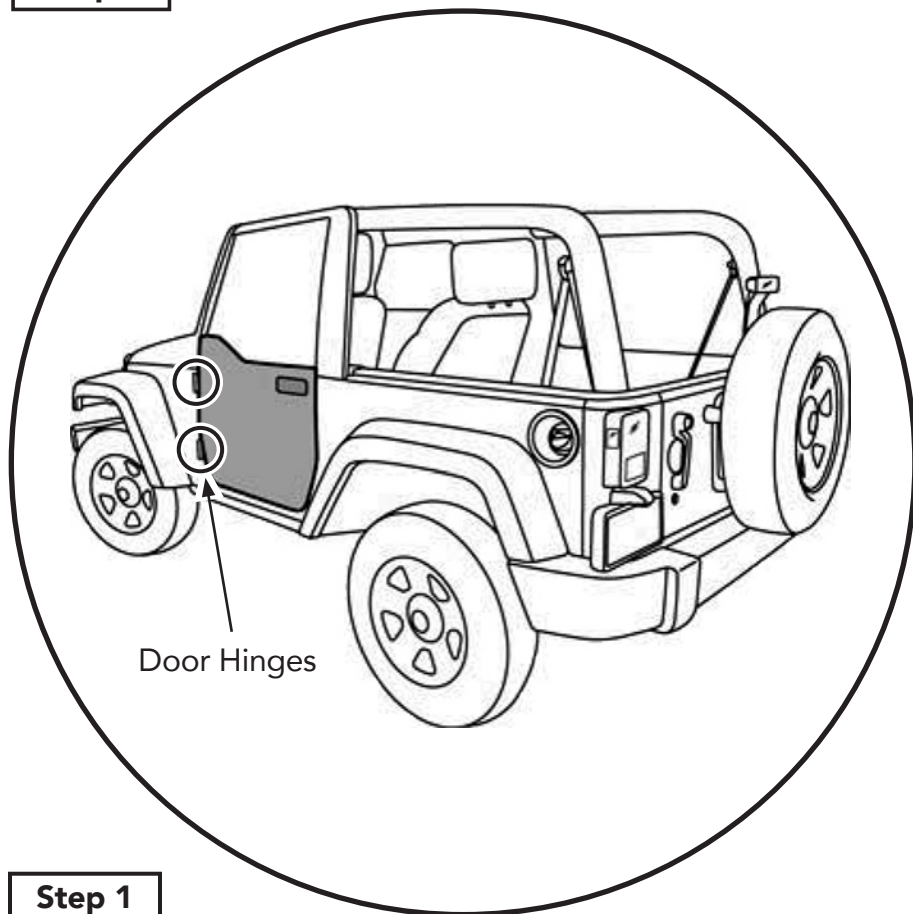
Vehicle Application:  
Jeep® Wrangler 2&4-Door 2007-2017  
Part Number 51810/51826

## Parts List

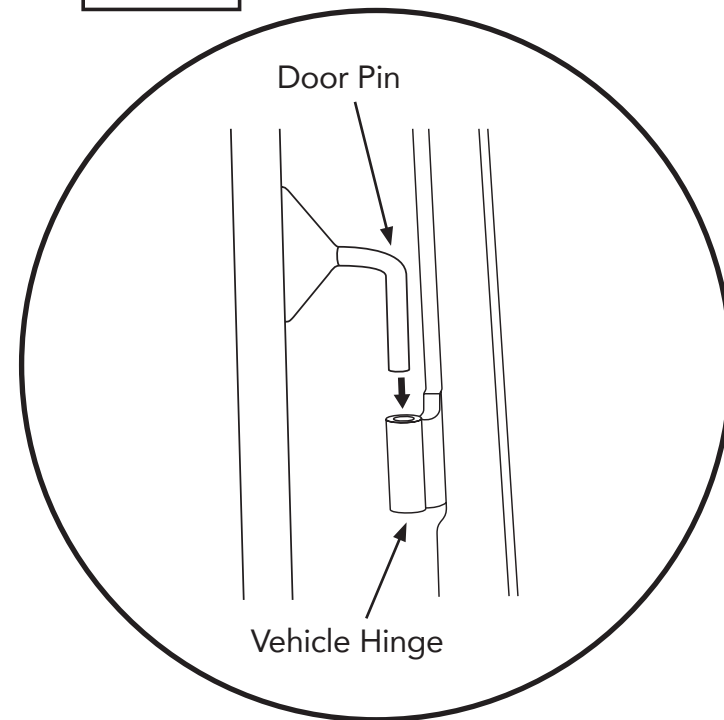
- Required parts for installation - Page number in Installation Guide

All Sections	Element™ Door Parts			Multiple Pages
 <p>Door Frames Left (shown) Part #444.37 (gloss) OR #499.49 (matte) Right #444.36 (gloss) OR #499.50 (matte) Qty. 1 of each</p>	 <p>Latch - Rotary Locking Paddle With Key Part #459.24 Right Part #459.25 Left Qty. 1 of each</p>	 <p>Latch Plate Part #429.41 Qty. 2</p>	 <p>Door Restraint Part #393.23 Qty. 2</p>	
 <p>Mirror Mount Bracket Part #445.91 Qty. 2</p>	 <p>M8x35mm Button Head Cap Screw Part #517.83 Qty. 4</p>	 <p>#10-32 Truss Head Machine Screw Black Part #316.94 Qty. 8</p>	 <p>#10-32 Lock Nut - Black Part #316.82 Qty. 8</p>	 <p>Qty. 2</p>  <p>Qty. 4</p>  <p>Qty. 4</p> <p>Door Latch Bumper Kit Kit of Parts #565.91 Qty. 1</p>

**Step 1**



**Detail**



**Step 1**

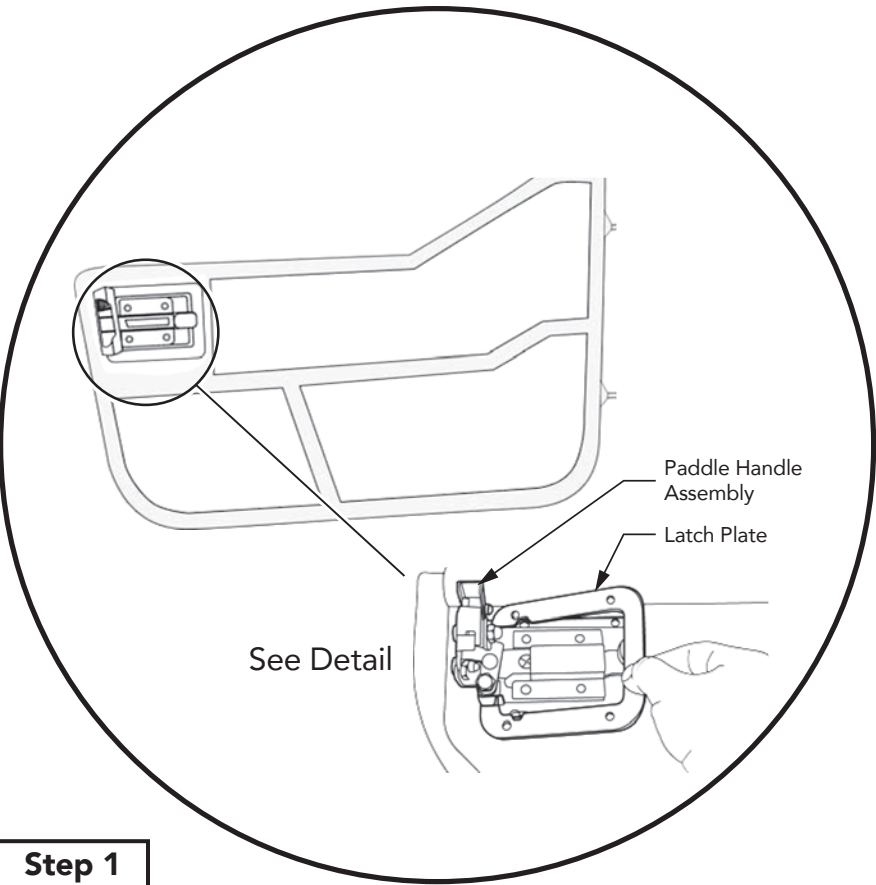
Hold the door straight out from the vehicle with the hinge pins over the body hinges.

Lower the pins into the hinges.

Make sure that the pins are fully inserted into the body hinges.

See Detail

<b>Step 1</b>	459.24	459.25	429.41	316.94
---------------	--------	--------	--------	--------



**Step 1**

Insert the Paddle Handle into the opening in the door plate so that the latch mechanism is inside the vehicle and the Rotary Latch Mechanism #459.24 or #459.25 is toward the rear of the door.

Place the Latch Plate #429.41 over the Paddle Handle on the inside of the door. Align the holes in the Paddle Handle and Latch Plate. Insert four (4) #10-32 Truss Head Machine Screws #316.94 from the outside and secure them with four (4) #10-32 Lock Nuts.

Close the door and adjust the latch to ensure it latches properly.

Tighten the screws once the latch works properly.

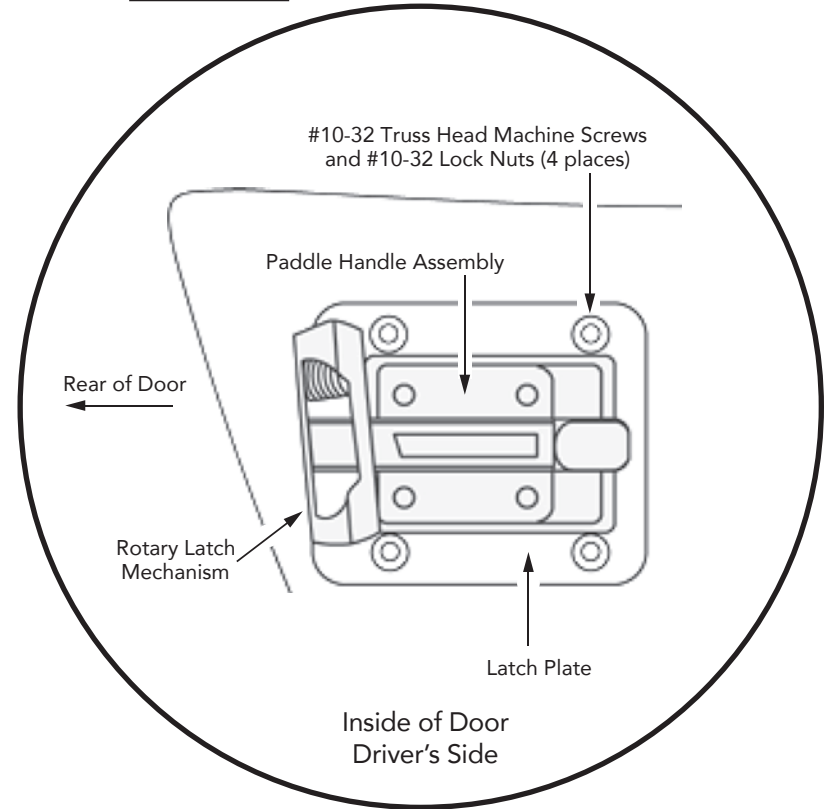
Adjust the factory door striker if necessary to ensure the latch engages properly. (See page 6)

**Tools**



#2 Phillips  
Screwdriver

**Detail**

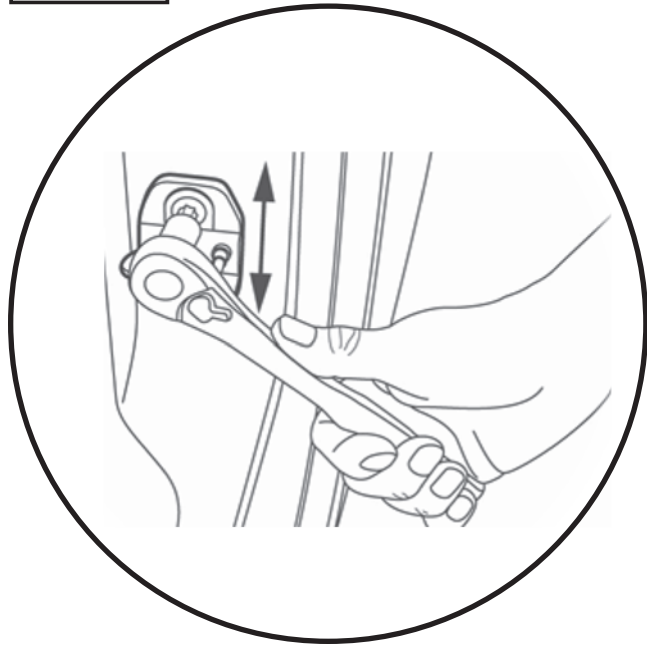


**WARNING**

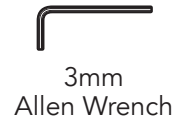
It is important that the Paddle Handle must align correctly with the vehicle manufacturer's original equipment steel latch pin located on the vehicle. Failure to properly install the Paddle Handle may result in the door accidentally opening.

**IMPROPER CLOSURE COULD RESULT IN SERIOUS INJURY OR DEATH TO THE OCCUPANTS. WEAR SEAT BELTS AT ALL TIMES. DRIVE CAREFULLY.**

**Step 1**



**Tools**

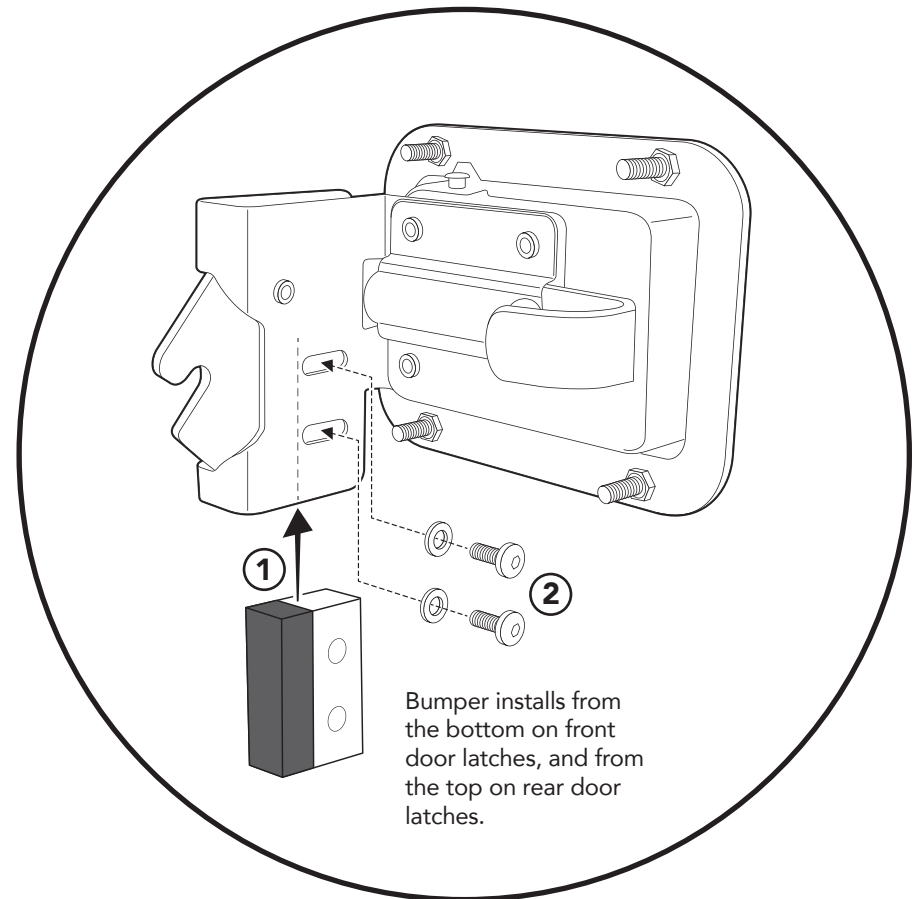


**Step 2**

459.24

459.25

565.91



**Step 1**

If the Element Door does not match up with the door striker, you may adjust the door striker by loosening it with a T-45 Torx wrench and either lowering or raising the door striker.

Tighten the door striker securely after adjusting.

The door striker will have to be put back into its original position when re-installing OEM doors.

**Step 2**

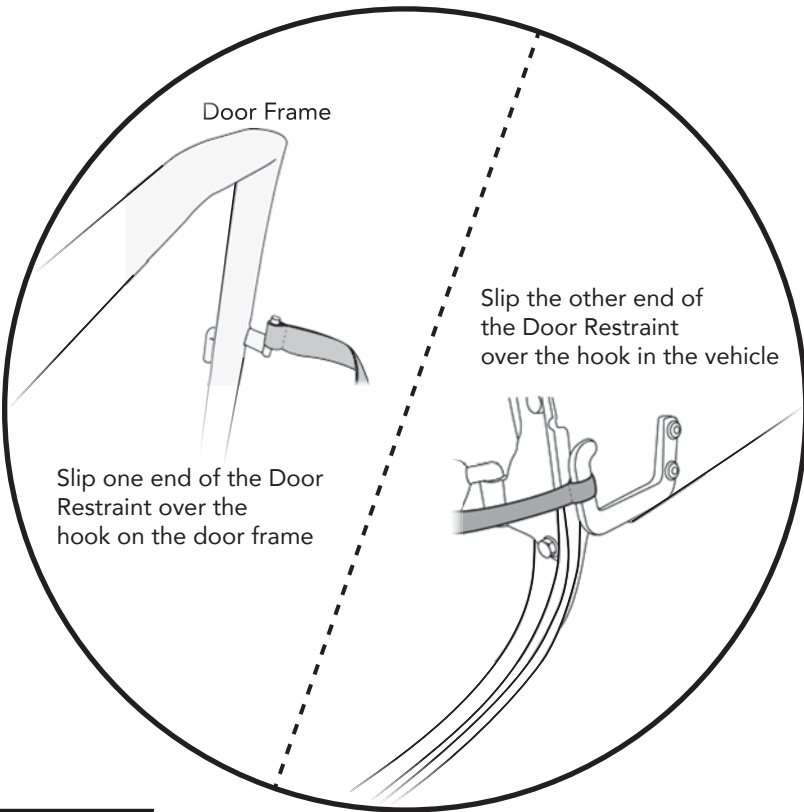
Slide the Door Latch Bumper from Parts Kit #565.91 into the Rotary Latch Mechanism. The Bumper will slide in from the bottom of the Latch Mechanism.

Using the 3mm Allen Wrench, secure the bumper with the screws and washers from the Parts Kit #565.91, using two screws and washers on each bumper.

Repeat on both side of the Jeep.



**Step 1** 393.23





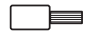
**Step 1**

Locate the two (2) Door Restraints # 393.23. Slip the loop in one end of a Door Restraint over the hook on the door frame.

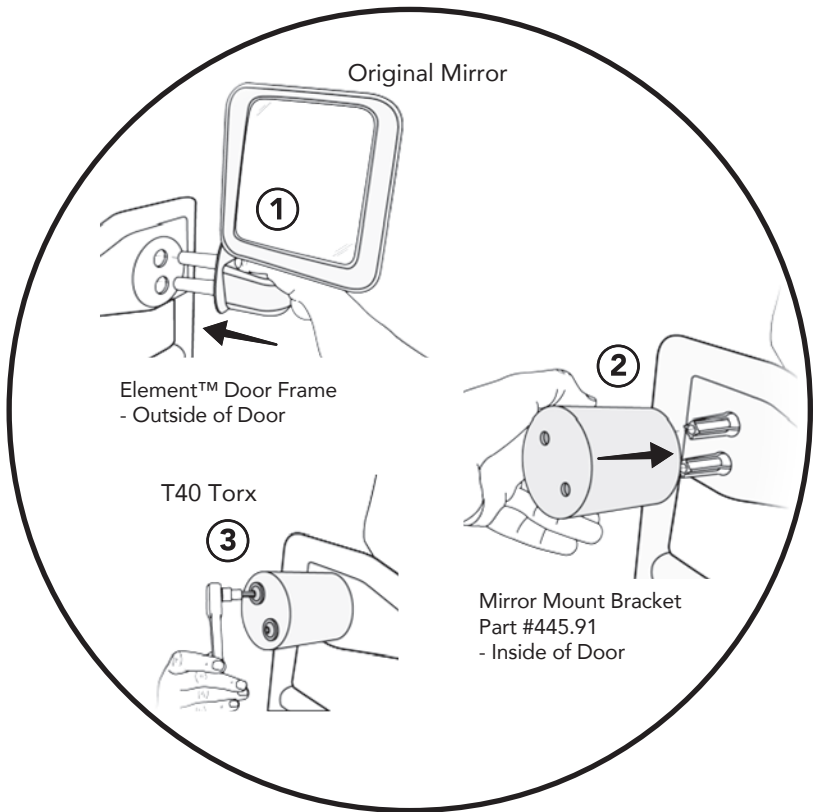
Slip the loop in the other end of the Door Restraint over the hook on the vehicle body.

Repeat on both sides of the Jeep.

**Tools**

-  5mm Allen Wrench
-  Ratchet
-  T40 Torx Driver

**Step 2**



**Step 2**

The mirrors from the original doors can be mounted to the Element™ Door using the Mirror Mount Brackets #445.91.

Use a T40 Torx wrench to remove the mirrors from the factory doors.

Align the holes in a Mirror Mount Bracket with the holes on the inside of the Element™ Door.

Slide the pins on the mirror through the door from the outside into the bracket. Secure using two M8x35mm Button Head Cap Screws #517.83



## Installation Instructions HighRock 4x4™ Element™ Front Door Frame

Vehicle Application:  
Jeep® Wrangler 2&4-Door 2007-2017  
Part Number 51810/51826

### WHAT BESTOP WARRANTS

Subject to the terms and conditions of sale, including any terms and conditions set forth by Bestop, Inc. ("Bestop" or "us" or "we") in our then-current terms of sale on our website (collectively, the "Terms"), Bestop represents and warrants that: the covered products listed in the "Covered Products and Warranty Periods" section (a "Product") will substantially be free from defects in materials and workmanship for the specified warranty periods set forth in that section.

### THE WARRANTY IS LIMITED AND CONDITIONAL

This warranty applies to the original purchaser of the Product only. The warranty is valid only as long as the original retail purchaser owns the vehicle upon which the Product is installed. The warranty expires should the Product be removed from the original vehicle or if the original vehicle is transferred to another owner. This warranty is not transferable or assignable. The warranty does not apply to Product bought from auction-style or price-bid websites.

THE LIMITED WARRANTY AND STATED REMEDIES ARE SOLE AND EXCLUSIVE AND IN LIEU OF ALL OTHER WARRANTIES AND REMEDIES, AND COMPANY EXPRESSLY DISCLAIMS ALL IMPLIED OR STATUTORY OR OTHER WARRANTIES, INCLUDING WITHOUT LIMITATIONS WARRANTIES OF MERCHANTABILITY, NON-INFRINGEMENT OR FITNESS FOR A PARTICULAR PURPOSE. IN NO EVENT WILL COMPANY BE LIABLE FOR ANY SPECIAL, INCIDENTAL, CONSEQUENTIAL, PUNITIVE, INDIRECT OR EXEMPLARY DAMAGES OF ANY KIND, INCLUDING LOST PROFITS OR REVENUE, HOWEVER CAUSED, WHETHER FOR BREACH OR REPUDIATION OF CONTRACT, TORT, BREACH OF WARRANTY, NEGLIGENCE, OR OTHERWISE, WHETHER OR NOT COMPANY WAS ADVISED OF THE POSSIBILITY OF SUCH LOSS OR DAMAGES.

Some states do not allow exclusion or limitation, so this may not apply to you. This warranty gives you specific legal rights, and you may have other rights which vary from state to state.

### EXCLUSIONS TO THE WARRANTY

The Limited Warranty excludes, and Bestop is not liable in any way for any warranty claims, damages, or defects related to:

- Misuse, abuse, accidents, vandalism, negligence, fire, or improper installation or modification, or improper or inadequate maintenance;
- Failure to comply with any Product documentation, Bestop instructions, or applicable law or regulations; use in extreme conditions
- Force Majeure including but not limited to, earthquake, hurricane, tornado, flooding, or other disasters natural or man-made, civil unrest, strikes, declared or undeclared war, or lack of performance by, or discontinued product of, supply chain partners whose products, software, operations or management is beyond the control of Bestop;
- Damage resulting in breakage (including without limitation, spontaneous breakage, accidental breakage or breakage by any other means) of a Product or any component part;
- Damage to vinyl windows due to misuse, or cracking due to varying weather conditions.

### YOUR SOLE REMEDY

During the applicable warranty period, Bestop shall, at its option, either repair or replace any Product that it confirms, in its discretion, is non-compliant with the warranties herein. Bestop will not pay for labor charges associated with installation or removal of the Product. Should a specific Product be discontinued, Bestop may, at its option, replace the discontinued Product with a current product or like product.

Please retain your proof of purchase. Original proof of purchase for the Product must accompany any warranty claim. If you have a warranty claim, first you must email Bestop Customer Service at [csbestop@bestop.com](mailto:csbestop@bestop.com) for instructions. All claims must be emailed to [csbestop@bestop.com](mailto:csbestop@bestop.com) within 30 days of discovery of a defective Product, but in no event later than thirty days after the end of the applicable Warranty Period (the "Warranty Notice Period"). Warranty claims made after the Warranty Notice Period are null and void and Bestop shall have no responsibility with respect to such claims.

THIS SECTION SETS FORTH BESTOP'S SOLE OBLIGATION & YOUR SOLE REMEDY WITH RESPECT TO ANY DEFECTS OR OTHER PRODUCT ISSUE. ANY PRODUCTS REPLACED UNDER TERMS OF THIS WARRANTY WILL BE COVERED UNDER TERMS & BALANCE OF THE DURATION OF THE ORIGINAL LIMITED WARRANTY FOR SUCH PRODUCT.





## Installation Instructions HighRock 4x4™ Element™ Front Door Frame

Vehicle Application:  
Jeep® Wrangler 2&4-Door 2007-2017  
Part Number 51810/51826

**COVERED PRODUCTS AND WARRANTY PERIODS:** The warranty time periods are as follows for Products manufactured by Bestop:

### **BESTOP® LIMITED LIFETIME WARRANTY**

Trektop® Pro Twill Fabric Top Sunrider® for Hardtop Twill Fabric Top  
Trektop® NX Glide Twill Fabric Top Replace-a-Top™ Twill Fabric Top  
Trektop® NX Twill Fabric Top Supertop® NX Twill Fabric Top  
EZFold™ Soft Tonneaus Floor & Cargo Liners  
ZipRail™ Soft Tonneaus Pet Barriers  
EZRoll™ Soft Tonneaus

### **BESTOP® 5-YEAR LIMITED WARRANTY**

Trektop® NX Glide™ Top (non-Twill) Sunrider® for Hardtop (non-Twill) Replace-a-Top™ Top (non-Twill) Trektop® NX Top (non-Twill)  
Sailcloth Replace-a-Top™ Supertop® NX Top (non-Twill)  
Tigertop™ and Halftop™ Supertop® Classic Soft Top Sunrider® Complete Soft Top Supertop® for Truck  
EZ Fold Hard Tonneau

### **BESTOP® 3-YEAR/100K MILES LIMITED WARRANTY**

Powerboard® & Powerboard® NX

Trekstep®, Side Mount  
Trekstep®, Rear Mount

### **BESTOP® 3-YEAR LIMITED WARRANTY**

Pavement Ends Sprint Top

### **BESTOP® 2-YEAR LIMITED WARRANTY**

Trektop® Classic Soft Top  
RoughRider™ Soft Storage

### **BESTOP® 1-YEAR LIMITED WARRANTY**

All other Bestop® & Pavement Ends™ products not specified above.

**For further information or request for warranty work, please contact:**

**Bestop Inc. Customer Service**  
**Toll-Free: (800)845-3567**  
**Main: (303)465-1755**  
**E-mail: [csbestop@Bestop.com](mailto:csbestop@Bestop.com)**  
**Website: [www.Bestop.com](http://www.Bestop.com)**