



Installation Instructions Sunrider for Hardtop

Vehicle Application:
Jeep JK Wrangler/JK Wrangler Unlimited
2007-2018
Part Number 52453

Installation Tips

Before you begin installing your new Sunrider for Hardtop, please read all the instructions thoroughly, and watch the Bestop installation video. (See Support section on this page.)












For a smooth fit:

For easier installation, the top should be installed at a temperature above 72° F. Below this temperature, the fabric may contract an inch or more, making it difficult to fit the vehicle.

It is normal for the fabric to contract and wrinkle when stored in the shipping carton. Within a few days after installation, the fabric will relax and the wrinkles will disappear.



CAUTION Safety glasses should be worn at all times when installing this product.

Tools	Installation Time	Support
 T30 and T40 Torx Drivers  Utility Knife  Safety Glasses <p>- Optional -</p>  Screwdriver (for alignment)  Step Stool	 1 Hour Skill Level     2 - Moderately Easy	<p>We're here to help!</p> <p>Go to: https://www.bestop.com/video-library</p> 

WARNING This product is designed primarily to enhance the appearance of the vehicle and to shield the occupants from ordinary weather conditions. Do not rely in any way on the components of this product to contain occupants within the vehicle, or to protect against injury or death in the event of an accident. This product will not protect the occupants from falling objects. Never operate the vehicle in excess of manufacturer's specifications.

WEAR SEAT BELTS AT ALL TIMES

Read and follow, precisely, all installation instructions provided when installing this product. Failure to do so may result in a poor fit and could place occupants of the vehicle in a potentially dangerous situation.



Installation Instructions Sunrider for Hardtop

Vehicle Application:
Jeep JK Wrangler/JK Wrangler Unlimited
2007-2018
Part Number 52453

Sugerencias de Instalación

Antes de empezar a instalar esta unidad, lea atentamente todas las instrucciones.

Para un buen ajuste:

Para facilitar la instalación, el producto debe instalarse a temperaturas superiores a 72 °F (22 °C).

Por debajo de esta temperatura, la tela puede encogerse una pulgada o más, lo que dificultaría su ajuste al vehículo.

Es normal que la tela se contraiga o arrugue cuando está guardada en la caja de empaque. A los pocos días después de la instalación, la tela se relajará y las arrugas desaparecerán.



ADVERTENCIA

Este producto se diseñó principalmente para mejorar la apariencia del vehículo y proteger a los ocupantes de las condiciones climáticas comunes. De ninguna manera piense que los componentes de este producto pueden servir como medio de contención para los ocupantes del vehículo o que pueden protegerlos contra lesiones o la muerte en caso de accidente. Este producto no protegerá a los ocupantes contra caídas de objetos. Nunca conduzca este vehículo fuera de las especificaciones del fabricante.

USE LOS CINTURONES DE SEGURIDAD EN TODO MOMENTO

Lea y siga con precisión todas las instrucciones de instalación que se proporcionan para instalar este producto. Si no lo hace, podría producirse un mal ajuste que colocaría a los ocupantes del vehículo en una situación potencialmente peligrosa.



PRECAUCIÓN

Debe usar gafas protectoras en todo momento durante la instalación de este producto.

Conseils pour l'installation

Lire toutes les instructions au complet avant de commencer l'installation de cet assemblage.

Pour un ajustement sans problème :

Afin de faciliter l'installation, ce produit doit être installé à des températures au-dessus de 72 °F (22 °C).

Sous cette température, le tissu peut rétrécir d'un pouce (2,5 cm) ou plus, ce qui rendra l'ajustement sur le véhicule difficile.

Il est normal que le tissu rétrécisse et plisse pendant qu'il est dans la boîte d'expédition. En quelques jours après l'installation, le tissu se détendra et les plis disparaîtront.



AVERTISSEMENT

Ce produit est conçu principalement pour améliorer l'apparence du véhicule et pour protéger les occupants des conditions météorologiques usuelles. Ne jamais se fier aux composants de ce produit pour se protéger de blessures ou de la mort en cas d'accident. Ce produit ne protégera pas les occupants des chutes d'objets. Ne jamais utiliser le véhicule au-delà des caractéristiques techniques indiquées par le fabricant.

PORTER UNE CEINTURE DE SÉCURITÉ EN TOUT TEMPS

Lire et suivre, très fidèlement, toutes les instructions d'installation fournies lors de l'installation de ce produit. Ne pas suivre cette consigne peut causer une installation inadéquate et mettre les occupants du véhicule dans une situation potentiellement dangereuse.



MISE EN GARDE

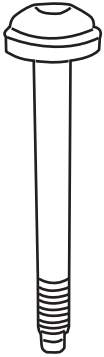
Des lunettes de sécurité doivent être portées en tout temps lors de l'installation de ce produit.



Installation Instructions Sunrider for Hardtop

Vehicle Application:
Jeep JK Wrangler/JK Wrangler Unlimited
2007-2018
Part Number 52453

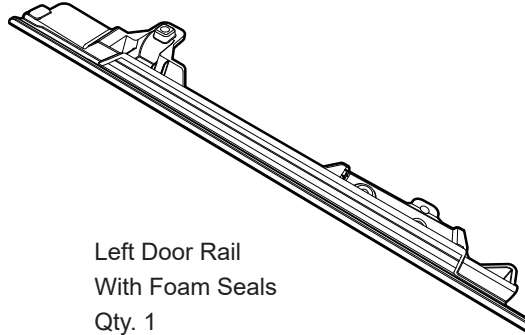
Parts List



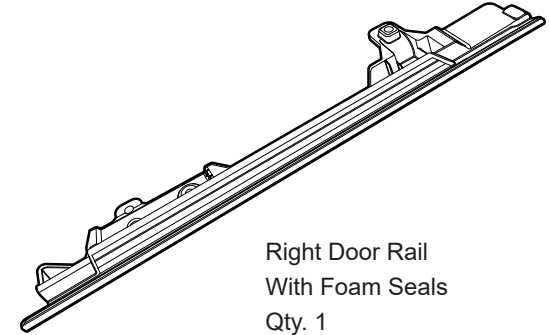
M8 x 1.25 x 80
Qty. 4
Part # 532.23



Flanged
Button-Head Screw
M6x 1.0x 25mm
Qty. 6
Part # 535.23

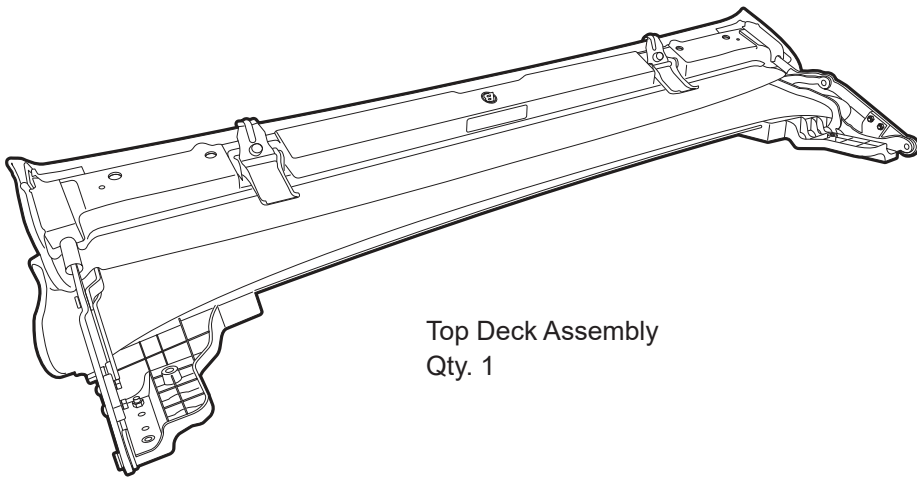


Left Door Rail
With Foam Seals
Qty. 1
Part # 516.91

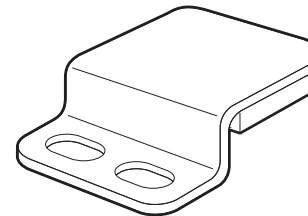


Right Door Rail
With Foam Seals
Qty. 1
Part # 516.90

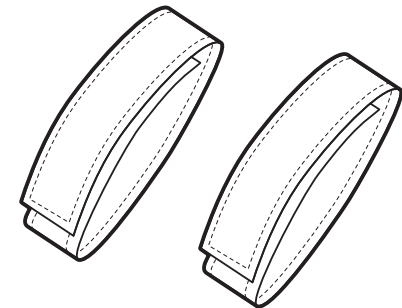
NOTE: These part numbers are for the complete assembly.
The numbers shown on the part are for the molded piece only.



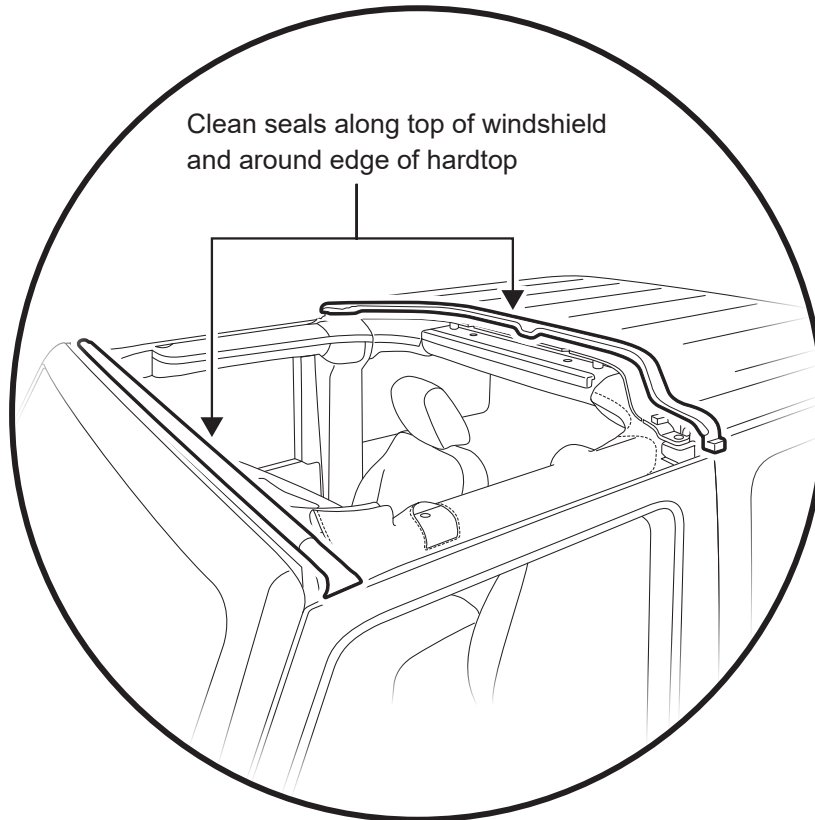
Top Deck Assembly
Qty. 1



Rear Attach Bracket
Qty. 2
Part # 517.10

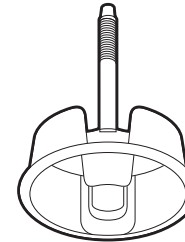


Sunrider Tie-Down Straps
Qty. 2
Part # 410.42



**Vehicle-Equipped
Mushroom Knob**

Qty. 2



**Save the large Mushroom Knobs
for re-use when installing the
Sunrider for Hardtop.**

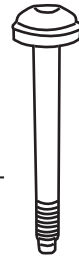
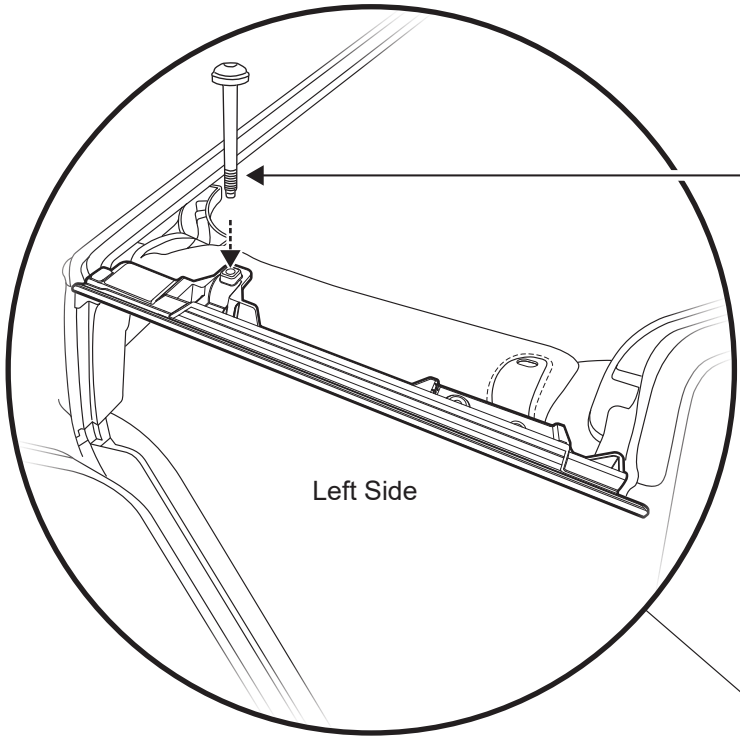
Step 1

Remove both hardtop freedom panels, according to instructions in your owner's manual. **Save the large Mushroom Knobs for re-use when installing the Sunrider for Hardtop.**

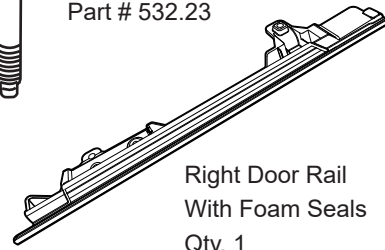
Clean the windshield and hardtop seals with soap, warm water and a soft cloth.

Rinse thoroughly with clean water to remove all soap residue, and dry the seals before installing the Sunrider for Hardtop.

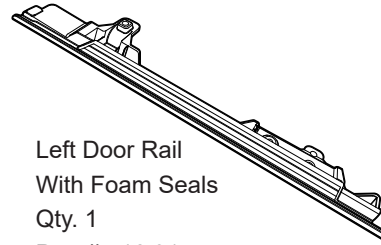
Hardware



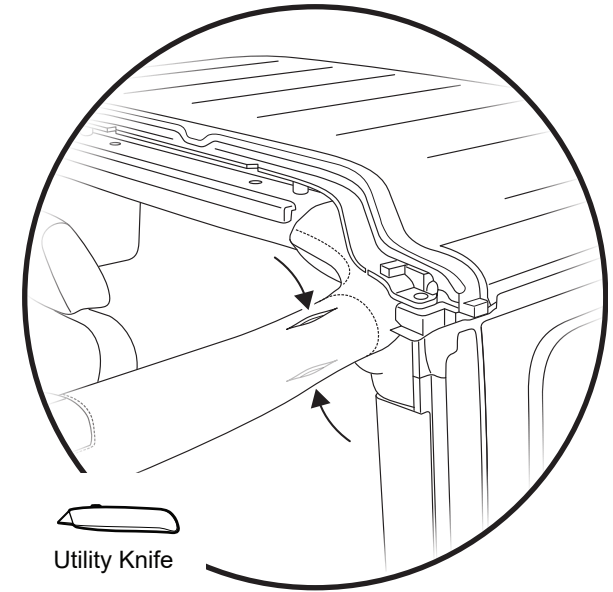
M8 x 1.25 x 80
Qty. 2
Part # 532.23



Right Door Rail
With Foam Seals
Qty. 1
Part # 516.90



Left Door Rail
With Foam Seals
Qty. 1
Part # 516.91



4-Door Vehicles:

Make two incisions in the sport bar padding on each side of the vehicle before installing rear Screws.

Install the Left Door Rail on the vehicle using one of the M8 Screws.

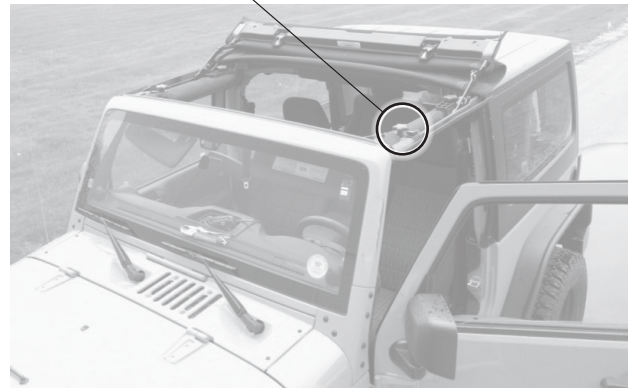
Only install the front Screw at this step.

Do not tighten the screw completely at this point.

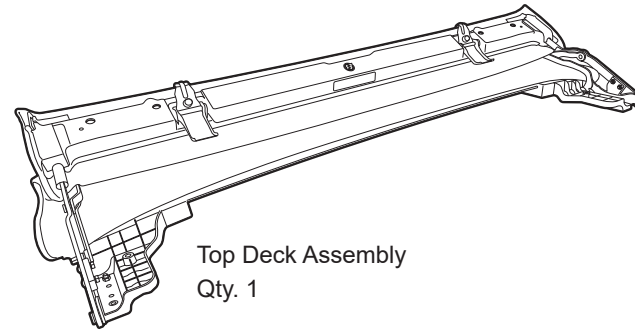
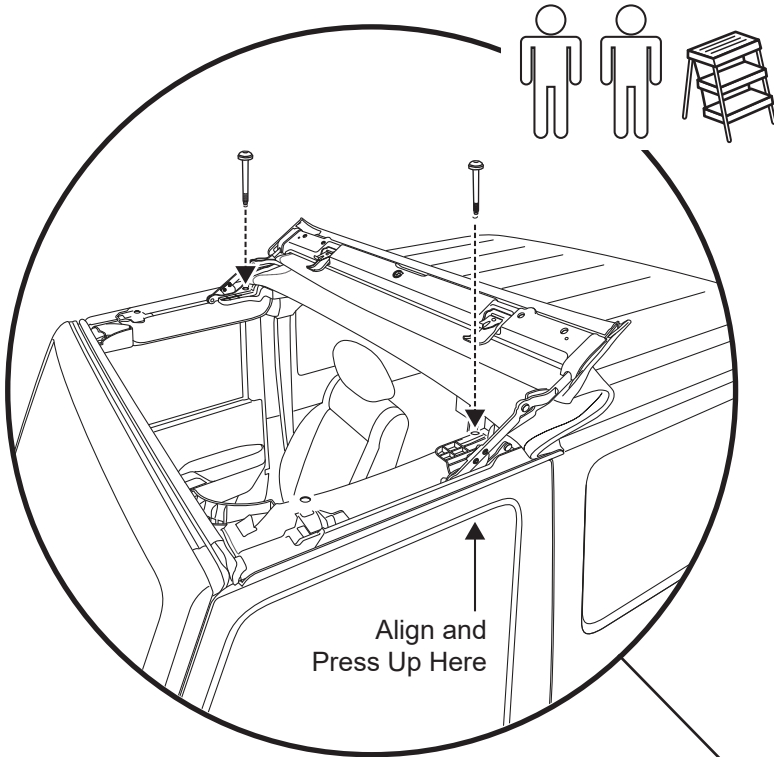
Repeat on the right side of the vehicle.

NOTE: 4-Door vehicles will require two incisions in the sport bar padding on each side to install the rear screws.

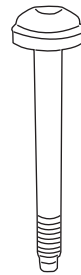
DO NOT REMOVE the foam pieces installed on the door rails. They are pre-installed to provide protection and seal the top from water leaks.



Hardware



Top Deck Assembly
Qty. 1



M8 x 1.25 x 80
Qty. 2
Part # 532.23

NOTICE

It will be helpful to have two (2) people available for this step and a small step stool or ladder to reduce the difficulty installing the Top Deck Assembly.

Be sure to inspect and align the pieces and press up from below when installing the knobs.

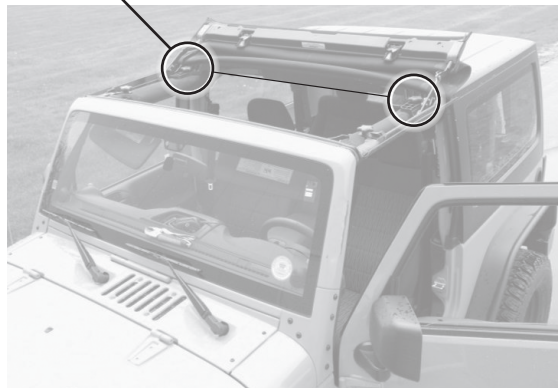
Install the deck assembly on the vehicle.

The molded side of the deck assembly rests on top of the sport bar padding.

Line up the holes through the footpad on the deck assembly with the holes in the rear of each door rail. Install an M8 Screw through each hole.

Do not tighten the Screws at this time.

TIP: You can use a small screwdriver to help align the Top Deck Assembly and Door Rail. Be sure to align the pieces and press up from below when installing the screws.

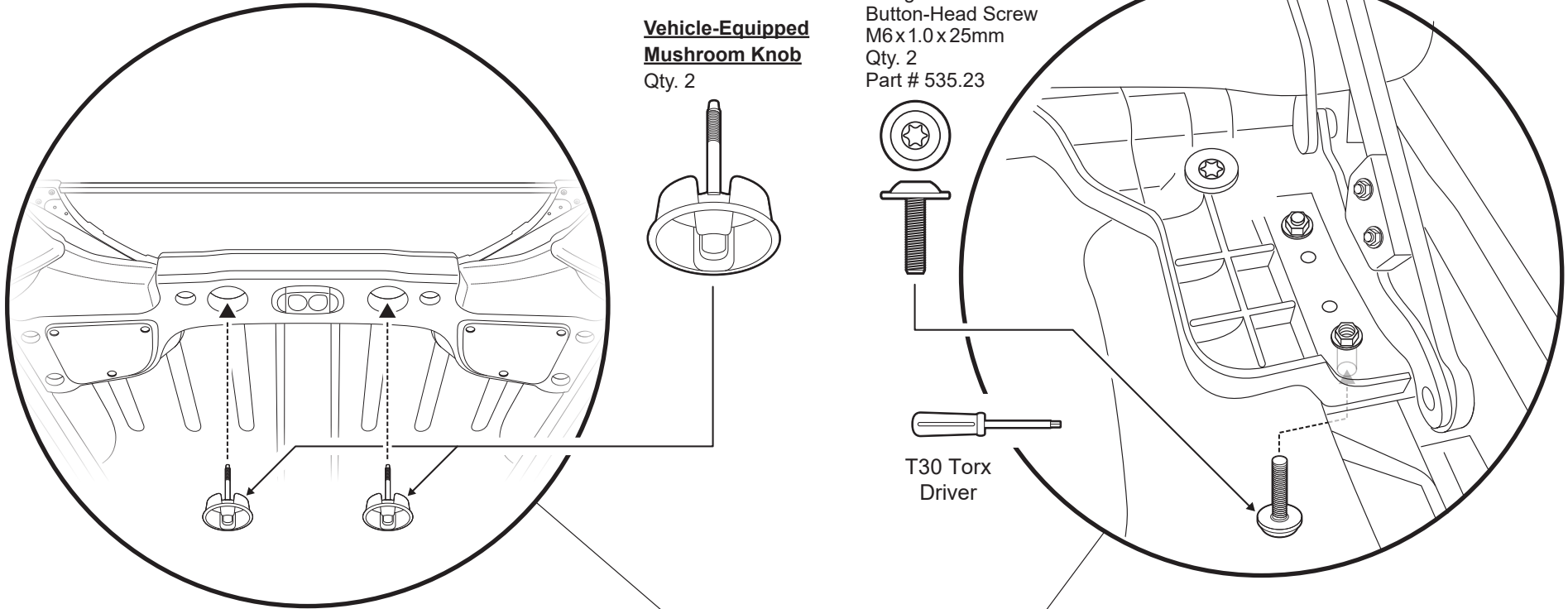


Hardware

**Vehicle-Equipped
Mushroom Knob**
Qty. 2

Flanged
Button-Head Screw
M6 x 1.0 x 25mm
Qty. 2
Part # 535.23

T30 Torx
Driver



Install the **vehicle-equipped mushroom knobs** originally supplied with the vehicle hardtop panels, and removed in Section 1, up through the bottom of the sound bar in the locations shown.

Do not tighten the vehicle-equipped mushroom knobs at this time.



Using the T30 Torx driver, install one M6 x 1.0 x 25mm Flanged Button-Head Screw through the left door rail and into the metal bracket with the weld-nut, from the underneath side.

Make sure to tighten this screw firmly.

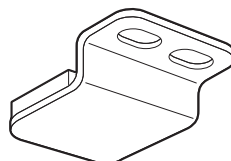
Repeat this process on the right side of the vehicle.

NOTICE

Use caution when aligning the parts to avoid cross-threading or stripping screws during installation.

Hardware

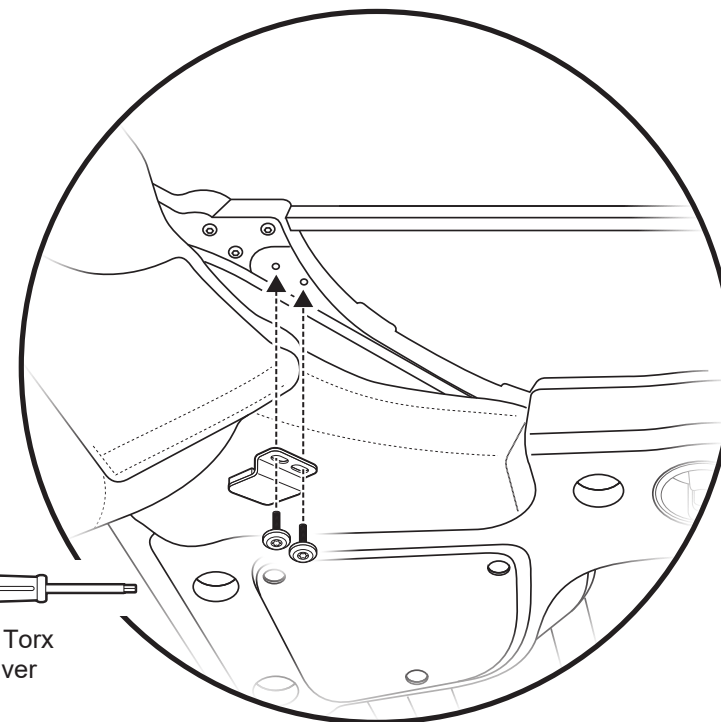
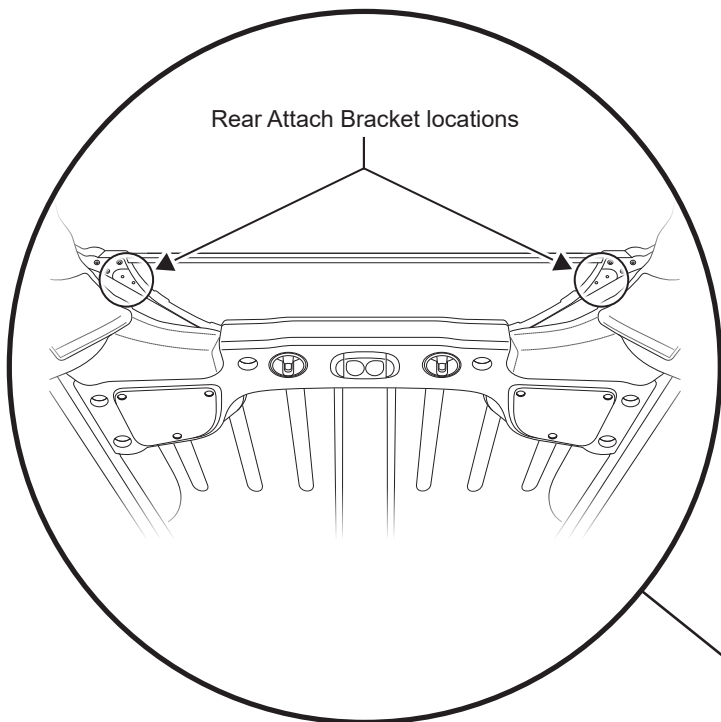
Rear Attach Bracket
Qty. 2
Part # 517.10



Flanged
Button-Head Screw
M6x1.0x25mm
Qty. 2 per Bracket
Part # 535.23



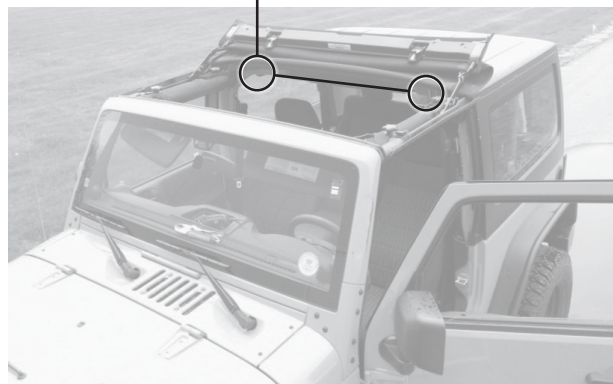
T30 Torx
Driver



Using the T30 Torx driver, install the Rear Attach Brackets with two (2) M6 x 1.0 x 25mm Flanged Button-Head Screws per bracket.

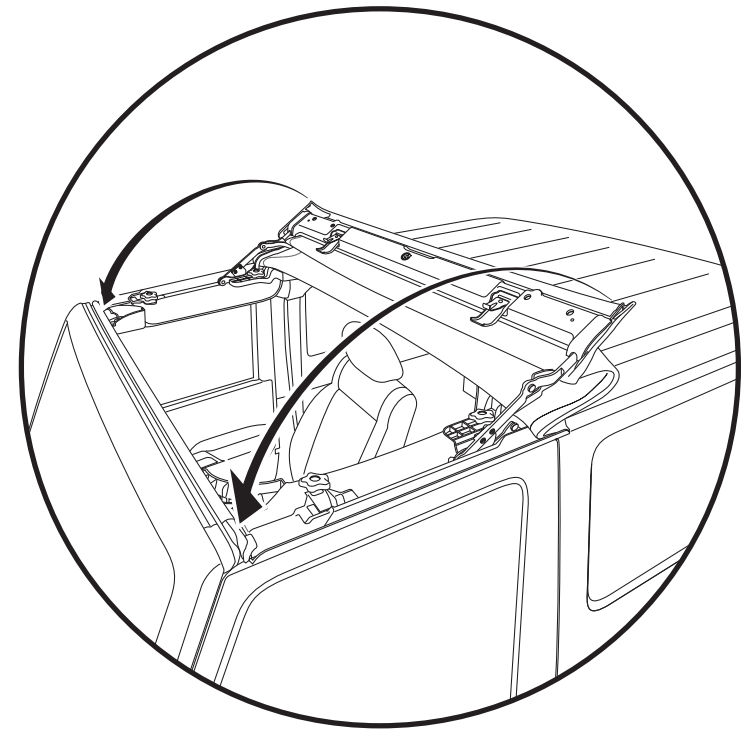
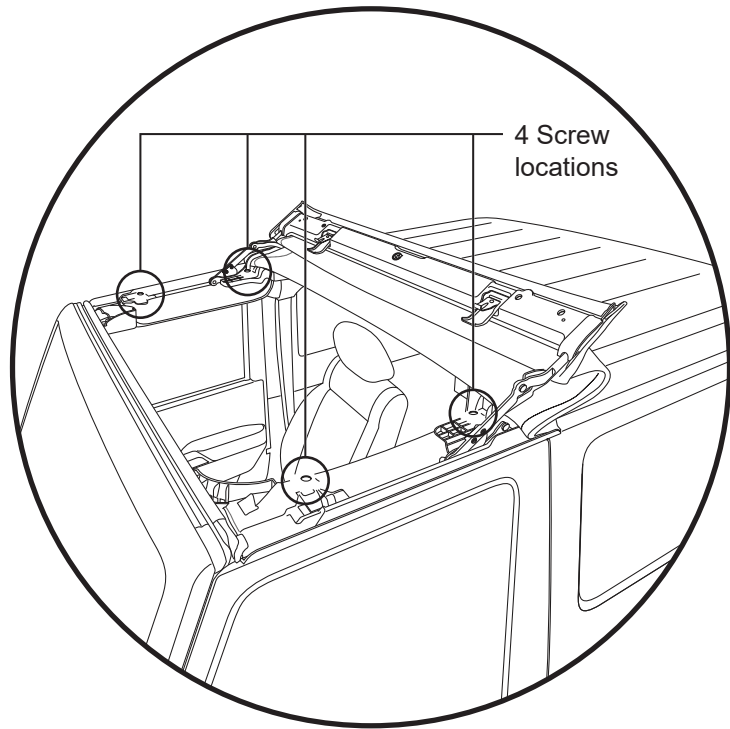
The brackets are installed on the underneath side of the Sunrider injection-molded rear assembly, and secure the Sunrider for Hardtop to the vehicle hard top.

One bracket for each side of the vehicle.



NOTICE

Use caution when aligning the parts to avoid cross-threading or stripping screws during installation.

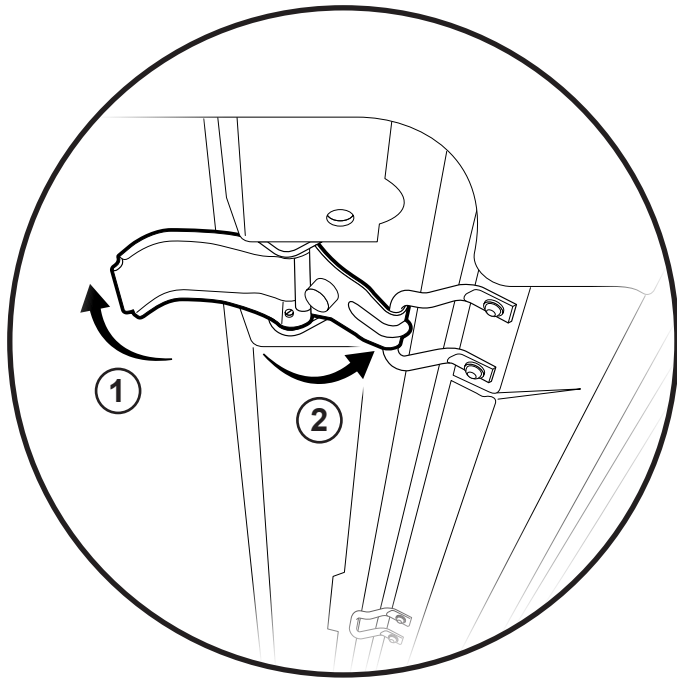


Tighten all four of the screws and 2 knobs to 55in/lbs (4.5ft/lbs) at this time.

2 Knob locations



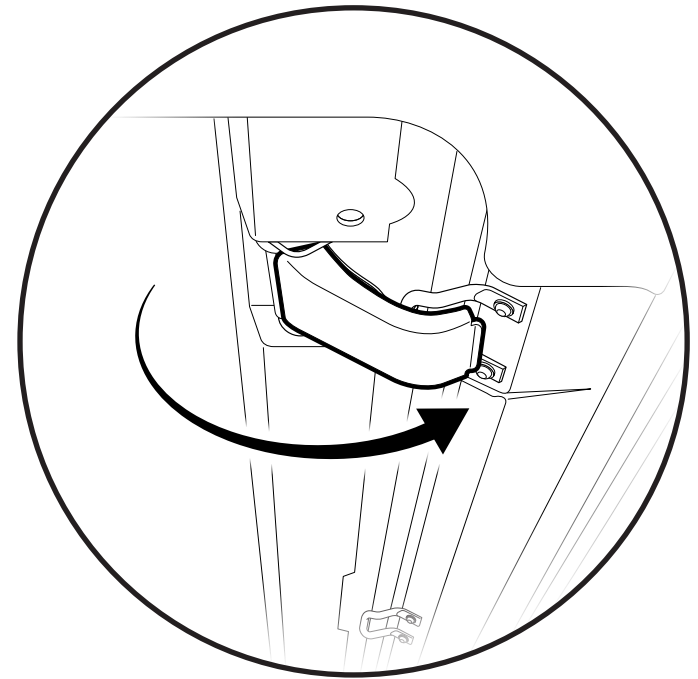
Fold down the Sunrider for Hardtop by pulling the header toward the front of the vehicle, and down into the closed position.



From inside the Jeep, locate the two Windshield Header Latches. To close the latch, pivot the latch handle to the completely open position to allow the hook to engage the windshield loop. Now pivot the hook forward to engage the windshield loop.

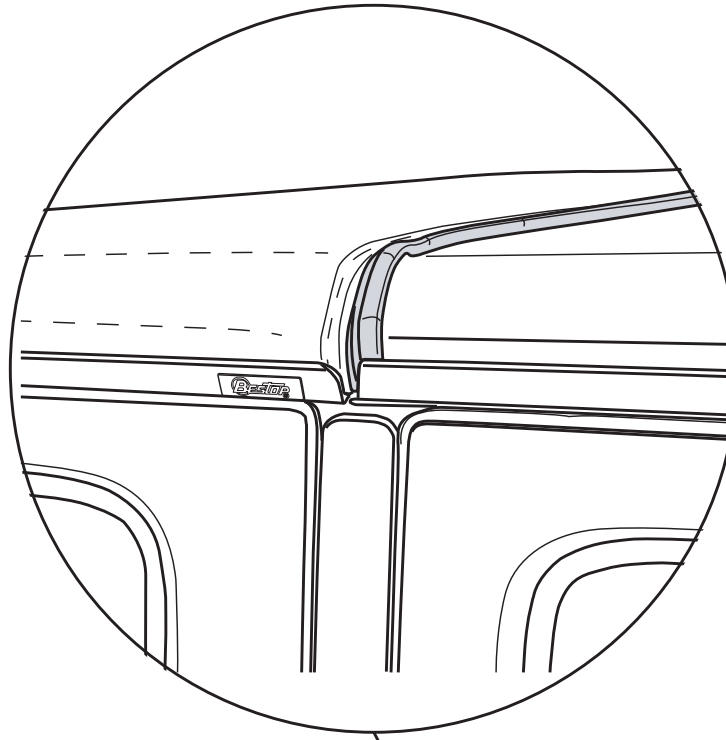
Because of the tightness of the fabric, you may have to pull down on the Header Assembly to get the hooks to engage the windshield loops. **TIP: Moving the sun visor out of the way makes this step easier.**

Repeat on both sides of the vehicle before proceeding to Step 2.



When the hook is engaged with the windshield loop, close the latch by pivoting it forward toward the windshield.

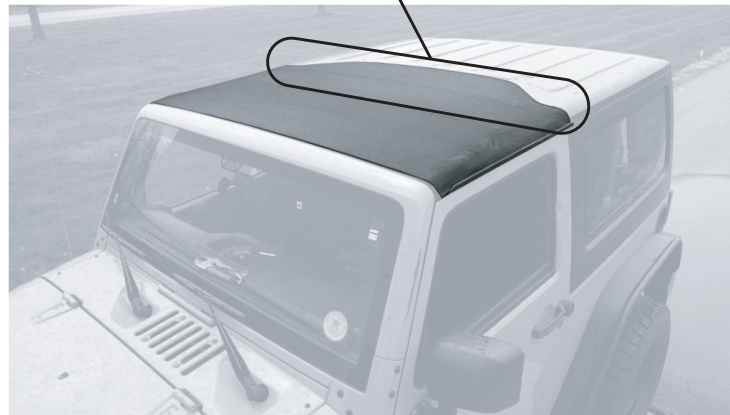
Repeat on both sides of the vehicle.



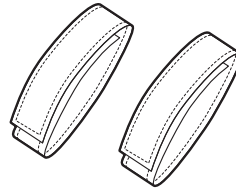
Scan QR Code for a
Helpful Short Video

With the Sunrider for Hardtop latched, check the seal between the Sunrider for Hardtop and the rear hardtop. The seal should fit well and cover the channel between the Sunrider for Hardtop and the rear hardtop, with no kinks, folds, or bulges visible from the outside.

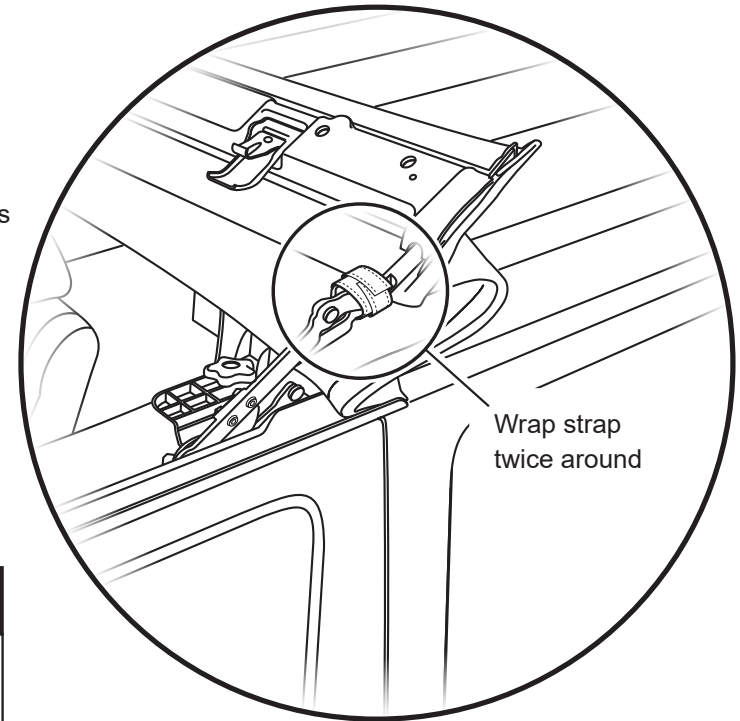
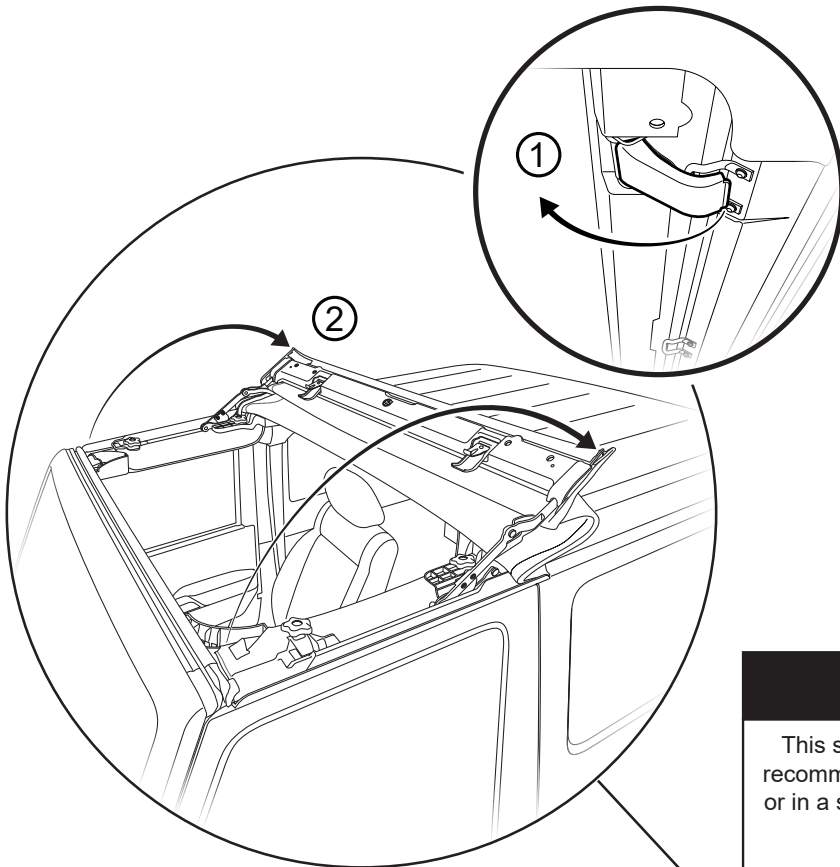
If the fit is not good, unlatch the Sunrider for Hardtop, and go back to Step 1 on Page 10, making sure that the seal fit is good before latching the Sunrider for Hardtop again.



Hardware



Sunrider Tie-Down Straps
Qty. 2
Part # 410.42



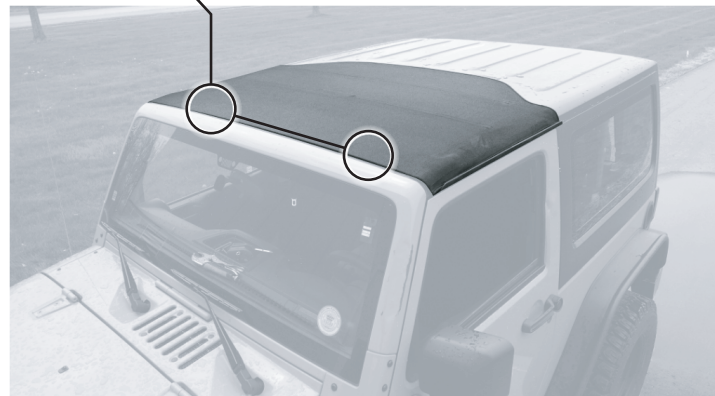
Wrap strap
twice around

NOTICE

This step is **OPTIONAL** and only recommended when driving off-road or in a situation where the Top Deck Assembly could shift.

From inside the Jeep, locate the two Windshield Header Latches.

- ① Open both latches and,
- ② fold the Sunrider back.



Secure the Sunrider with the Tie Down Straps. Wrap each strap around the arm twice and secure the hook-and-loop strap. Secure both sides of the Sunrider.



Installation Instructions Sunrider for Hardtop

Vehicle Application:
Jeep JK Wrangler/JK Wrangler Unlimited
2007-2018
Part Number 52453

Care and Maintenance of your Bestop Vinyl Product

Your Bestop product is made of the finest materials available. To keep it looking new and for the maximum possible wear, it will need periodic cleaning and maintenance.

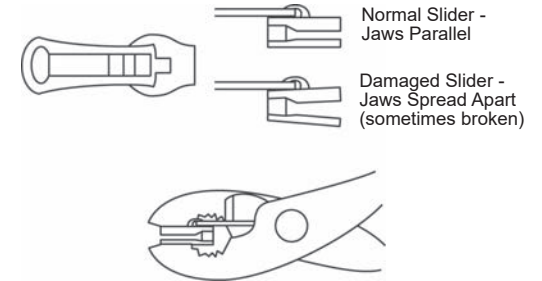
Fabric: The fabric should be washed often using soap, warm water and a soft bristle brush. Rinse with clear water to remove all traces of soap. Bestop recommends using Bestop Cleaner (part no. 11201-00) and Bestop Protectant (part no. 11202-00). Bestop Cleaner and Bestop protectant are specially formulated to provide a total cleaning and protection system. Bestop Cleaner safely removes the toughest stains, will not harm vehicle finishes, is biodegradable and environmentally friendly. Bestop Protectant protects against fading, cracking and hardening, and repels dust, grease, dirt and mildew.

Windows: Keep windows clean to avoid scratching. DO NOT use a brush on the windows! Wash with a water-soaked cloth or sponge and a mild dishwashing detergent. Bestop recommends Bestop Vinyl Window Cleaner (part no. 11203-00), which safely cleans and protects vinyl windows and helps prevent UV damage. NEVER WIPE THE WINDOWS WHEN THEY ARE DRY. Be careful when cleaning snow or frost from the vinyl windows since they are easily scratched and may crack at low temperatures. DO NOT roll the sides or rear window in cold weather. The windows become stiff and will crack. Cracks caused by misuse in cold temperatures are not covered under warranty.

Zippers: Keeping zippers cleaned and lubricated with Bestop's Zipper Cleaner (part no. 11206-00) will help prevent damage and keep the zippers in smooth working condition. If a zipper opens behind the slider, the slider may have been spread apart. This problem can usually be repaired by using an ordinary pair of pliers to bring the sides back into parallel. Return slider to the end of the zipper in the normal Open position. Squeeze lightly at first and test the zipper. If the zipper continues to remain open squeeze more firmly with the pliers and try the zipper again. Repeat this procedure until the zipper operates correctly.

Water: Seeping through at the seams may be stopped by applying 3-M Scotchgard® on the inside of the seams. Rips in the fabric may be repaired with Bondex® iron on patches. Iron the patches to the Inside of the top, carefully following the Bondex® instructions.

Snaps: Keep snaps cleaned and lubricated with silicone to help prevent snaps from sticking to the studs. If a snap does become stuck to a stud, use a screwdriver and GENTLY pry apart to prevent permanent damage to the snap or the top fabric.



Care and Maintenance of your Bestop Twill Product

Your Bestop product is made of the finest materials available. To keep it looking new and for the maximum possible life, it will need periodic cleaning and maintenance.

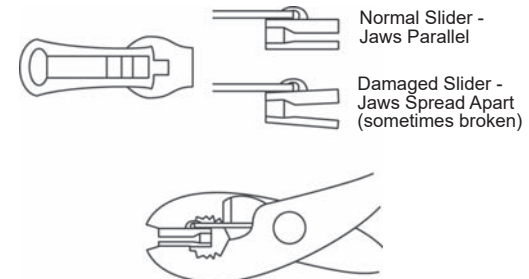
Fabric: The fabric should be washed often using soap, warm water and a soft bristle brush. Rinse with clear water to remove all traces of soap. Bestop recommends using BESTOP CLEANER (part no. 11201-00) and BESTOP TWILL PROTECTANT (part no. 11207-00) which are specially formulated to provide a total cleaning and protection system.

Windows: Keep windows clean to avoid scratching. DO NOT use a brush on the windows! Wash with a water-soaked cloth or sponge and a mild dishwashing detergent. Bestop recommends Bestop Vinyl Window Cleaner (part no. 11203-00), which safely cleans and protects vinyl windows and helps prevent UV damage. NEVER WIPE THE WINDOWS WHEN THEY ARE DRY. Be careful when cleaning snow or frost from the vinyl windows since they are easily scratched and may crack at low temperatures. DO NOT roll the sides or rear window in cold weather. The windows become stiff and will crack. Cracks caused by misuse in cold temperatures are not covered under warranty.

Zippers: Keeping zippers cleaned and lubricated with Bestop's Zipper Cleaner (part no. 11206-00) will help prevent damage and keep the zippers in smooth working condition. If a zipper opens behind the slider, the slider may have been spread apart. This problem can usually be repaired by using an ordinary pair of pliers to bring the sides back into parallel. Return slider to the end of the zipper in the normal Open position. Squeeze lightly at first and test the zipper. If the zipper continues to remain open squeeze more firmly with the pliers and try the zipper again. Repeat this procedure until the zipper operates correctly.

Water: Seeping through at the seams may be stopped by applying 3-M Scotchgard® on the inside of the seams. Rips in the fabric may be repaired with Bondex® iron on patches. Iron the patches to the Inside of the top, carefully following the Bondex® instructions.

Snaps: Keep snaps cleaned and lubricated with silicone to help prevent snaps from sticking to the studs. If a snap does become stuck to a stud, use a screwdriver and GENTLY pry apart to prevent permanent damage to the snap or the top fabric.





Care & Maintenance Instructions Sunrider for Hardtop

Vehicle Application:
Jeep JK Wrangler / JK Wrangler Unlimited
2007-2018
Part Number 52453

Soin et entretien de votre produit Bestop

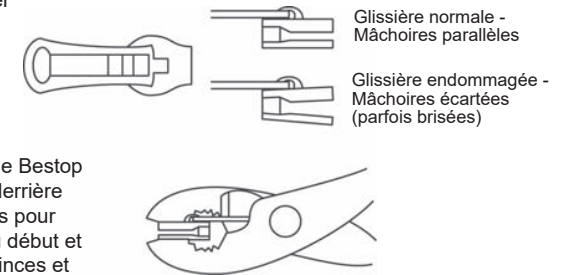
Votre produit Bestop est fabriqué des meilleurs matériaux disponibles. Il devra être nettoyé et entretenu régulièrement afin de maintenir son apparence neuve et pour une durée d'utilisation maximale.

Tissu: Le tissu doit être lavé régulièrement à l'aide de savon, d'eau chaude et d'une brosse à soies douces. Rincer à l'eau claire afin d'éliminer toute trace de savon. Bestop recommande d'utiliser le nettoyant Bestop Cleaner (no de pièce 11201-00) et le protecteur Bestop Protectant (no de pièce 11202-00). Le nettoyant Bestop Cleaner et le protecteur Bestop Protectant sont spécialement formulés pour fournir un système de nettoyage et de protection complet. Le nettoyant Bestop Cleaner élimine de manière sécuritaire les taches les plus tenaces, n'endommagera pas les finis du véhicule, est biodégradable et respectueux de l'environnement. Le protecteur Bestop Protectant prévient la décoloration, la fissuration et le durcissement causés par les UV, et repousse la poussière, la graisse, la saleté et les moisissures.

Fermetures à glissière: Maintenir les fermetures à glissière propres et lubifiées à l'aide du nettoyant Zipper Cleaner (no de pièce 11206-00) de Bestop aidera à protéger des dommages et maintiendra les fermetures à glissière en bon état de fonctionnement. Si une fermeture à glissière ouvre derrière la glissière, la glissière peut avoir été forcée au point de s'ouvrir. Le problème peut habituellement être réparé en utilisant des pinces ordinaires pour remettre les côtés parallèles. Remettre la glissière au bout de la fermeture à glissière, dans la position Ouverte normale. Serrer légèrement au début et vérifier le fonctionnement de la fermeture à glissière. Si la fermeture à glissière continue de rester ouverte, serrer plus fortement à l'aide des pinces et essayer la fermeture à glissière de nouveau. Répéter le processus jusqu'à ce que la fermeture à glissière fonctionne correctement.

Eau: Les infiltrations d'eau aux coutures peuvent être arrêtées par l'application de ScotchgardMD 3M sur l'intérieur des coutures. Les déchirures dans le tissu peuvent être réparées grâce aux pièces thermocollantes BondexMD. Fixer les pièces thermocollantes à l'aide d'un fer à repasser sur l'intérieur du toit, en suivant soigneusement les instructions de BondexMD.

Boutons pression: Maintenir les boutons pression propres à l'aide de silicone pour empêcher les boutons pression de coller aux rivets. Si un bouton pression reste collé à un rivet, utiliser un tournevis et appliquer une FAIBLE PRESSION afin d'éviter d'endommager le bouton pression ou le tissu du toit.



Cuidado y mantenimiento de su producto Bestop

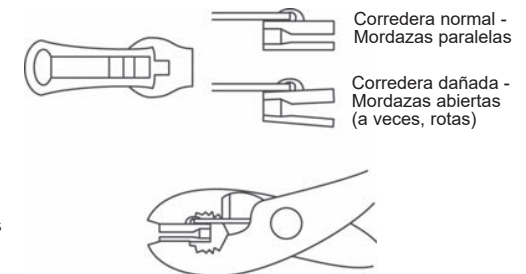
Su producto Bestop está hecho con materiales de la más alta calidad. Para mantener su apariencia nueva y alargar su uso al máximo posible, necesitará limpieza y mantenimiento periódicos.

Tela: debe lavar la tela con frecuencia usando jabón, agua tibia y un cepillo de cerdas suaves. Enjuague con agua limpia para eliminar todos los residuos de jabón. Bestop recomienda utilizar el Limpiador Bestop (número de parte 11201-00) y el Protector Bestop (número de parte 11202-00). El limpiador y el protector Bestop están formulados especialmente para ofrecen un sistema de limpieza y protección total. El limpiador Bestop quita las manchas más difíciles, no daña los acabados del vehículo, es biodegradable y no daña el medio ambiente. El protector Bestop protege contra la decoloración que causan los rayos UV y contra el agrietamiento y endurecimiento; además, repele el polvo, grasa, suciedad y moho.

Cremalleras: conserve las cremalleras limpias y lubricadas con el limpiador de cremalleras Bestop (número de parte 11206-00), que ayuda a prevenir daños y mantiene las cremalleras en óptimas condiciones de funcionamiento. Si la cremallera se abre detrás de la corredera, es posible que las mordazas de la corredera se hayan separado. Por lo general, este problema se repara fácilmente con unas pinzas comunes para volver a poner los lados en paralelo. Regrese la corredera al extremo de la cremallera en la posición abierta normal. Apriete un poco al principio y pruebe la cremallera. Si la cremallera sigue abierta, apriete con mayor firmeza con las pinzas y vuelva a probar la cremallera. Repita este procedimiento hasta que la cremallera funcione correctamente.

Agua: para eliminar la filtración de agua a través de las costuras, aplique cinta Scotchgard® de 3-M en la parte interior de las costuras. Los desgarres de la tela pueden repararse con parches Bondex® para aplicar con plancha. Planche los parches en el interior del toldo, siguiendo con cuidado las instrucciones de Bondex®.

Broches: conserve los broches limpios y lubricados con silicona para evitar que se peguen a los corchetes de encaje. Si se quedan pegados a un corchete, use un destornillador y CON CUIDADO separe las dos piezas para evitar daño permanente al broche o a la tela del toldo.





Warranty Information Sunrider for Hardtop

Vehicle Application:
Jeep JK Wrangler/JK Wrangler Unlimited
2007-2018
Part Number 52453

WHAT BESTOP WARRANTS

Subject to the terms and conditions of sale, including any terms and conditions set forth by Bestop, Inc. ("Bestop" or "us" or "we") in our then-current terms of sale on our website (collectively, the "Terms"), Bestop represents and warrants that: the covered products listed in the "Covered Products and Warranty Periods" section (a "Product") will substantially be free from defects in materials and workmanship for the specified warranty periods set forth in that section.

THE WARRANTY IS LIMITED AND CONDITIONAL

This warranty applies to the original purchaser of the Product only. The warranty is valid only as long as the original retail purchaser owns the vehicle upon which the Product is installed. The warranty expires should the Product be removed from the original vehicle or if the original vehicle is transferred to another owner.

This warranty is not transferable or assignable. The warranty does not apply to Product bought from auction-style or price-bid websites.

THE LIMITED WARRANTY AND STATED REMEDIES ARE SOLE AND EXCLUSIVE AND IN LIEU OF ALL OTHER WARRANTIES AND REMEDIES, AND COMPANY EXPRESSLY DISCLAIMS ALL IMPLIED OR STATUTORY OR OTHER WARRANTIES, INCLUDING WITHOUT LIMITATIONS WARRANTIES OF MERCHANTABILITY, NON-INFRINGEMENT OR FITNESS FOR A PARTICULAR PURPOSE. IN NO EVENT WILL COMPANY BE LIABLE FOR ANY SPECIAL, INCIDENTAL, CONSEQUENTIAL, PUNITIVE, INDIRECT OR EXEMPLARY DAMAGES OF ANY KIND, INCLUDING LOST PROFITS OR REVENUE, HOWEVER CAUSED, WHETHER FOR BREACH OR REPUDIATION OF CONTRACT, TORT, BREACH OF WARRANTY, NEGLIGENCE, OR OTHERWISE, WHETHER OR NOT COMPANY WAS ADVISED OF THE POSSIBILITY OF SUCH LOSS OR DAMAGES.

Some states do not allow exclusion or limitation, so this may not apply to you. This warranty gives you specific legal rights, and you may have other rights which vary from state to state.

EXCLUSIONS TO THE WARRANTY

The Limited Warranty excludes, and Bestop is not liable in any way for any warranty claims, damages, or defects related to:

- Misuse, abuse, accidents, vandalism, negligence, fire, or improper installation or modification, or improper or inadequate maintenance;
- Failure to comply with any Product documentation, Bestop instructions, or applicable law or regulations; use in extreme conditions
- Force Majeure including but not limited to, earthquake, hurricane, tornado, flooding, or other disasters natural or man-made, civil unrest, strikes, declared or undeclared war, or lack of performance by, or discontinued product of, supply chain partners whose products, software, operations or management is beyond the control of Bestop;
- Damage resulting in breakage (including without limitation, spontaneous breakage, accidental breakage or breakage by any other means) of a Product or any component part;
- Damage to vinyl windows due to misuse, or cracking due to varying weather conditions.

YOUR SOLE REMEDY

During the applicable warranty period, Bestop shall, at its option, either repair or replace any Product that it confirms, in its discretion, is non-compliant with the warranties herein. Bestop will not pay for labor charges associated with installation or removal of the Product. Should a specific Product be discontinued, Bestop may, at its option, replace the discontinued Product with a current product or like product.

Please retain your proof of purchase. Original proof of purchase for the Product must accompany any warranty claim. If you have a warranty claim, first you must email Bestop Customer Service at csbestop@bestop.com for instructions. All claims must be emailed to csbestop@bestop.com within 30 days of discovery of a defective Product, but in no event later than thirty days after the end of the applicable Warranty Period (the "Warranty Notice Period"). Warranty claims made after the Warranty Notice Period are null and void and Bestop shall have no responsibility with respect to such claims.

THIS SECTION SETS FORTH BESTOP'S SOLE OBLIGATION & YOUR SOLE REMEDY WITH RESPECT TO ANY DEFECTS OR OTHER PRODUCT ISSUE. ANY PRODUCTS REPLACED UNDER TERMS OF THIS WARRANTY WILL BE COVERED UNDER TERMS & BALANCE OF THE DURATION OF THE ORIGINAL LIMITED WARRANTY FOR SUCH PRODUCT.



Warranty Information Sunrider for Hardtop

Vehicle Application:
Jeep JK Wrangler/JK Wrangler Unlimited
2007-2018
Part Number 52453

COVERED PRODUCTS AND WARRANTY PERIODS: The warranty time periods are as follows for Products manufactured by Bestop:

BESTOP® LIMITED LIFETIME WARRANTY

Trektop® Pro Twill Fabric Top Sunrider® for Hardtop Twill Fabric Top
Trektop® NX Glide Twill Fabric Top Replace-a-Top™ Twill Fabric Top
Trektop® NX Twill Fabric Top Supertop® NX Twill Fabric Top
EZFold™ Soft Tonneaus Floor & Cargo Liners
ZipRail™ Soft Tonneaus Pet Barriers
EZRoll™ Soft Tonneaus

BESTOP® 5-YEAR LIMITED WARRANTY

Trektop® NX Glide™ Top (non-Twill) Sunrider® for Hardtop (non-Twill) Replace-a-Top™ Top (non-Twill) Trektop® NX Top (non-Twill)
Sailcloth Replace-a-Top™ Supertop® NX Top (non-Twill)
Tigertop™ and Halftop™ Supertop® Classic Soft Top Sunrider® Complete Soft Top Supertop® for Truck
EZ Fold Hard Tonneau

BESTOP® 3-YEAR/100K MILES LIMITED WARRANTY

Powerboard® & Powerboard® NX
Trekstep®, Side Mount
Trekstep®, Rear Mount

BESTOP® 3-YEAR LIMITED WARRANTY

Pavement Ends Sprint Top

BESTOP® 2-YEAR LIMITED WARRANTY

Trektop® Classic Soft Top
RoughRider™ Soft Storage

BESTOP® 1-YEAR LIMITED WARRANTY

All other Bestop® & Pavement Ends™ products not specified above.

For further information or request for warranty work, please contact:

Bestop Inc. Customer Service
Toll-Free: (800)845-3567
E-mail: csbestop@Bestop.com
Website: www.Bestop.com