



# Installation Instructions Trektop Halftop 2-Door

Vehicle Application:  
Jeep® Wrangler 2-Door JL 2018-Current  
Part Number 53903

## Installation Tips

Before you begin installing your new Trektop Halftop, please read all the instructions thoroughly.



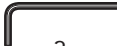









**WARNING** Do not rely in any way on the components of this product to protect against injury or death in the event of an accident. Never operate the vehicle in excess of manufacturer's specifications. Read and follow, precisely, all installation instructions provided when installing this product. Failure to do so may result in a poor fit and could place occupants of the vehicle in a potentially dangerous situation.

For easier installation, the top should be installed at a temperature above 72° F. Below this temperature, the fabric may contract making it difficult to fit the vehicle.



**CAUTION** Safety glasses should be worn at all times when installing this product.

**WEAR SEAT BELTS AT ALL TIMES**

Tools				Installation Time	Support
 Safety Glasses	 T8 - T40 - T50 Torx Drivers	 3mm - 4mm - 5mm Allen Wrenches		<b>3 00</b> 3 hours	We're here to help! Go to: <a href="https://www.bestop.com">https://www.bestop.com</a> and click on <b>Need Help?</b>    <a href="https://www.bestop.com/video-library">https://www.bestop.com/video-library</a>
 Torque Wrench	 8mm - 10mm Wrenches	- OR -	 Socket Wrench	 8mm - 10mm Sockets	
				Skill Level	
				   	
				<b>3 - Moderately Difficult</b>	



# Installation Instructions Trektop Halftop 2-Door

Vehicle Application:  
Jeep® Wrangler 2-Door JL 2018-Current  
Part Number 53903

## Sugerencias de Instalación

**Antes de empezar a instalar esta unidad, lea atentamente todas las instrucciones.**

### Para un buen ajuste:

Para facilitar la instalación, el producto debe instalarse a temperaturas superiores a 72 °F (22 °C).

Por debajo de esta temperatura, la tela puede encogerse una pulgada o más, lo que dificultaría su ajuste al vehículo.

Es normal que la tela se contraiga o arrugue cuando está guardada en la caja de empaque. A los pocos días después de la instalación, la tela se relajará y las arrugas desaparecerán.



### ADVERTENCIA

Este producto se diseñó principalmente para mejorar la apariencia del vehículo y proteger a los ocupantes de las condiciones climáticas comunes. De ninguna manera piense que los componentes de este producto pueden servir como medio de contención para los ocupantes del vehículo o que pueden protegerlos contra lesiones o la muerte en caso de accidente. Este producto no protegerá a los ocupantes contra caídas de objetos. Nunca conduzca este vehículo fuera de las especificaciones del fabricante.

### USE LOS CINTURONES DE SEGURIDAD EN TODO MOMENTO

Lea y siga con precisión todas las instrucciones de instalación que se proporcionan para instalar este producto. Si no lo hace, podría producirse un mal ajuste que colocaría a los ocupantes del vehículo en una situación potencialmente peligrosa.



### PRECAUCIÓN

Debe usar gafas protectoras en todo momento durante la instalación de este producto.

## Conseils pour l'installation

**Lire toutes les instructions au complet avant de commencer l'installation de cet assemblage.**

### Pour un ajustement sans problème :

Afin de faciliter l'installation, ce produit doit être installé à des températures au-dessus de 72 °F (22 °C).

Sous cette température, le tissu peut rétrécir d'un pouce (2,5 cm) ou plus, ce qui rendra l'ajustement sur le véhicule difficile.

Il est normal que le tissu rétrécisse et plisse pendant qu'il est dans la boîte d'expédition. En quelques jours après l'installation, le tissu se détendra et les plis disparaîtront.



### AVERTISSEMENT

Ce produit est conçu principalement pour améliorer l'apparence du véhicule et pour protéger les occupants des conditions météorologiques usuelles. Ne jamais se fier aux composants de ce produit pour se protéger de blessures ou de la mort en cas d'accident. Ce produit ne protégera pas les occupants des chutes d'objets. Ne jamais utiliser le véhicule au-delà des caractéristiques techniques indiquées par le fabricant.

### PORTER UNE CEINTURE DE SÉCURITÉ EN TOUT TEMPS

Lire et suivre, très fidèlement, toutes les instructions d'installation fournies lors de l'installation de ce produit. Ne pas suivre cette consigne peut causer une installation inadéquate et mettre les occupants du véhicule dans une situation potentiellement dangereuse.



### MISE EN GARDE

Des lunettes de sécurité doivent être portées en tout temps lors de l'installation de ce produit.



# Installation Instructions Trektop Halftop 2-Door

Vehicle Application:  
Jeep® Wrangler 2-Door JL 2018-Current  
Part Number 53903

## Parts List



M6 Nylon Lock Nut  
#494.01  
Qty. 4



M5 Nylon Lock Nut  
#526.76  
Qty. 8



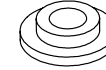
M5x0.8x12  
Flanged Button  
Head Cap Screw  
#531.49  
Qty. 4



M6 x 1x15  
Button Head  
Socket Cap Screw  
#517.63  
Qty. 4



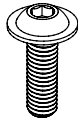
M6 Flat Washer  
#515.81  
Qty. 8



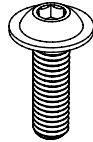
Plastic Bushing  
#473.40  
Qty. 16



M5 Flat Washer  
#565.90  
Qty. 16



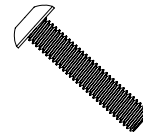
M6x20mm Flanged  
Button Head Screw  
#517.48  
Qty. 4



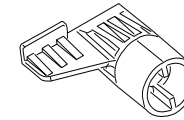
M8x1.25x20mm  
Flanged Button Head  
Cap Screw  
#573.09  
Qty. 6



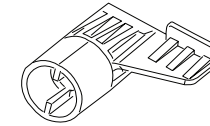
M8x1.25x38  
Button Head  
Socket Cap Screw  
#532.17  
Qty. 2



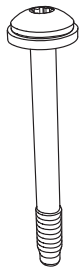
M5x0.8x25  
Button Head  
Socket Cap Screw  
#579.60  
Qty. 8



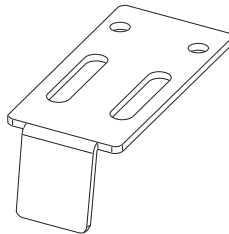
Cap, Bow End RT  
Part #592.66  
Qty. 1



Cap, Bow End LT  
Part #593.71  
Qty. 1



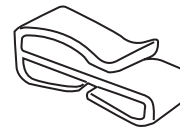
M8x1.25x80 Screw  
#532.23  
Qty. 4



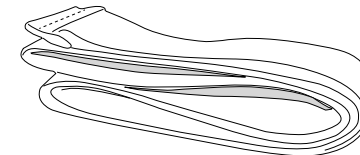
Brkt, Rear Attach  
Part #611.88  
Qty. 2



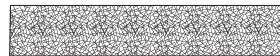
Bestop Window Sticker  
#338.32  
Qty. 1



Strap Clip  
#338.24  
Qty. 2



30 inch Nylon Strap  
Part #629.63  
Qty. 1



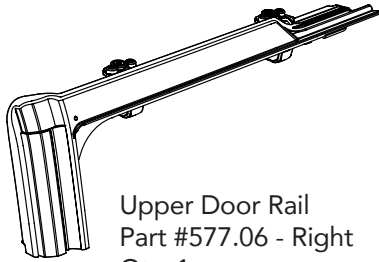
1" Loop Strip  
#546.15  
Qty. 10 Inches



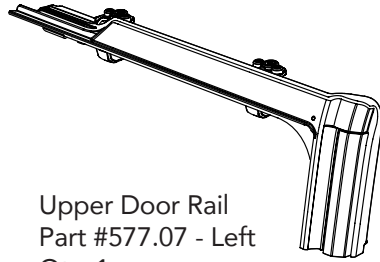
# Installation Instructions Trektop Halftop 2-Door

Vehicle Application:  
Jeep® Wrangler 2-Door JL 2018-Current  
Part Number 53903

## Parts List



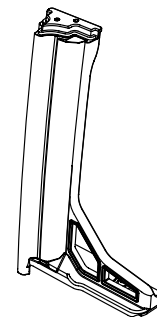
Upper Door Rail  
Part #577.06 - Right  
Qty. 1



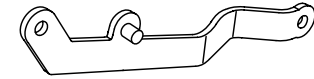
Upper Door Rail  
Part #577.07 - Left  
Qty. 1



Lower Door Rail  
Part #577.08 - Right  
Qty. 1



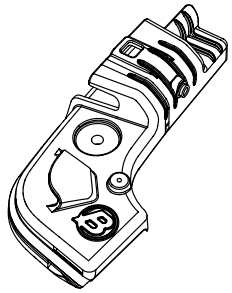
Lower Door Rail  
Part #577.09 - Left  
Qty. 1



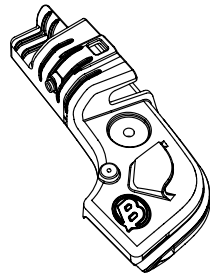
#2 Bow Link Assembly  
Part #578.66 - Right  
Qty. 1



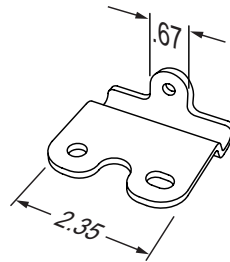
#2 Bow Link Assembly  
Part #578.67 - Left  
Qty. 1



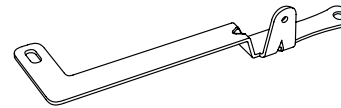
Tailgate Bar Retainer  
Part #575.38 - Right  
Qty. 1



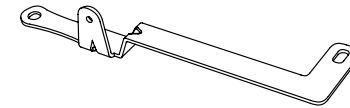
Tailgate Bar Retainer  
Part #575.39 - Left  
Qty. 1



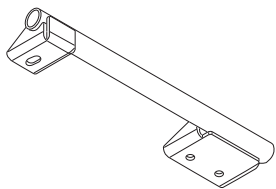
Side Bow Pivot Bracket  
Part #579.96  
Qty. 2



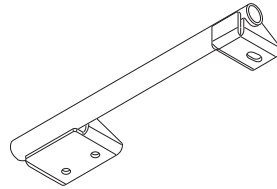
#2 Bow Mount Bracket  
Part #585.46 - Right  
Qty. 1



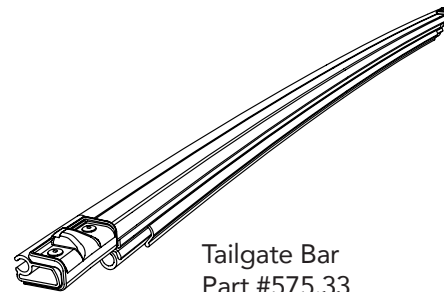
#2 Bow Mount Bracket  
Part #585.47 - Left  
Qty. 1



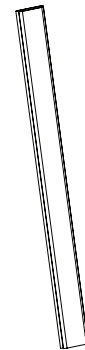
#3 Bow Mount Bracket  
Part #613.66 - Right  
Qty. 1



#3 Bow Mount Bracket  
Part #613.67 - Left  
Qty. 1



Tailgate Bar  
Part #575.33  
Qty. 1



D Pillar Bow  
Part #614.89  
Qty. 2

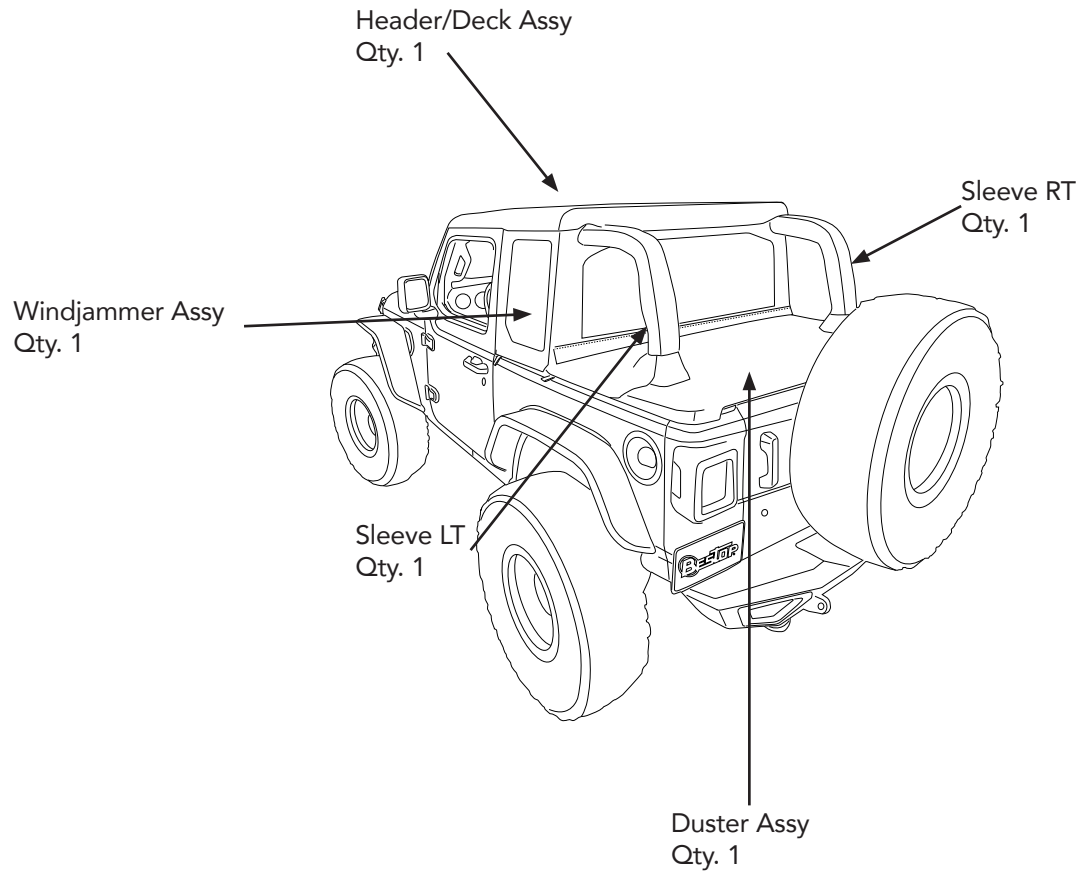
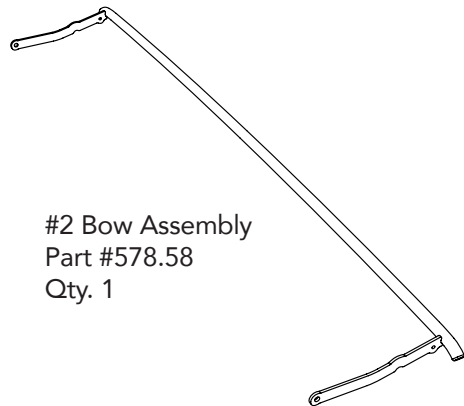
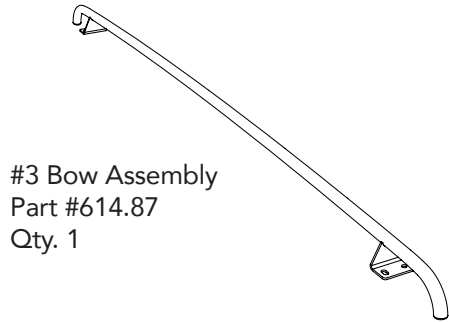
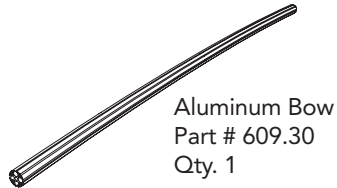


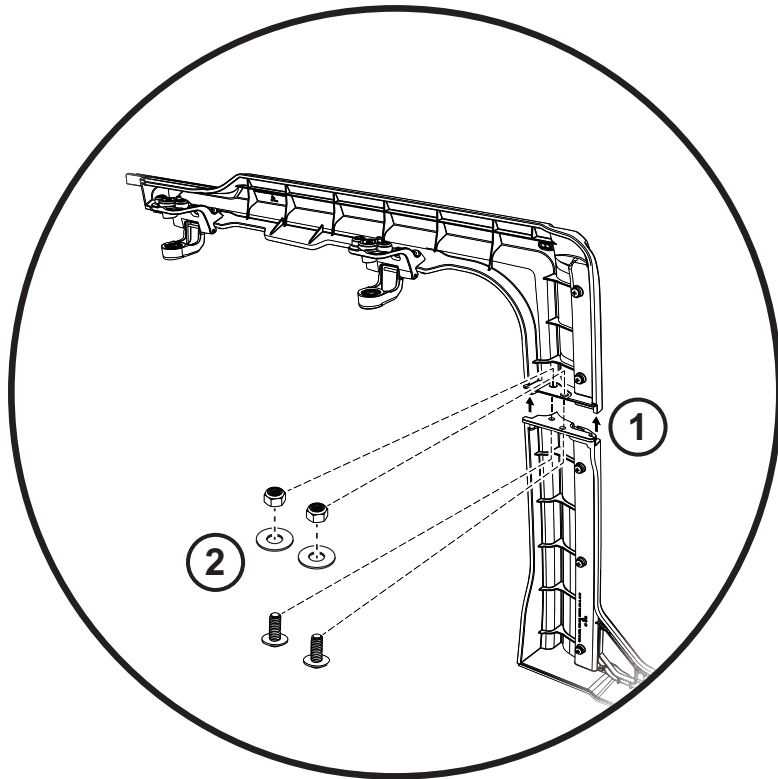


# Installation Instructions Trektop Halftop 2-Door

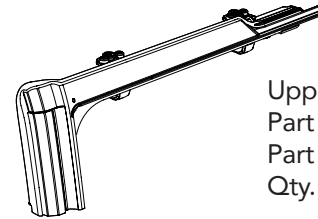
Vehicle Application:  
Jeep® Wrangler 2-Door JL 2018-Current  
Part Number 53903

## Parts List





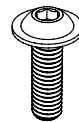
Hardware



Upper Door Rail  
Part #577.06 - Right (shown)  
Part #577.07 - Left  
Qty. 1 of each



Lower Door Rail  
Part #577.08 - Right (shown)  
Part #577.09 - Left  
Qty. 1 of each



M6x20mm  
Flanged Button Head  
Cap Screw  
#517.48  
Qty. 4



M6 Flat Washer  
#515.81  
Qty. 4



M6 Nylon Lock Nut  
#494.01  
Qty. 4

- 1 Attach the Right Upper Door Rail #577.06 to the Right Lower Door Rail #577.08.
- 2 Use two (2) #517.48 Button Head Cap Screws, two (2) M6 Flat Washers #515.81, and two (2) M6 Nylon Lock Nuts #494.01 to secure the Door Rails together.

Tools

**NOTE:** Screws thread up from the bottom into the M6 Nylon Lock Nuts.

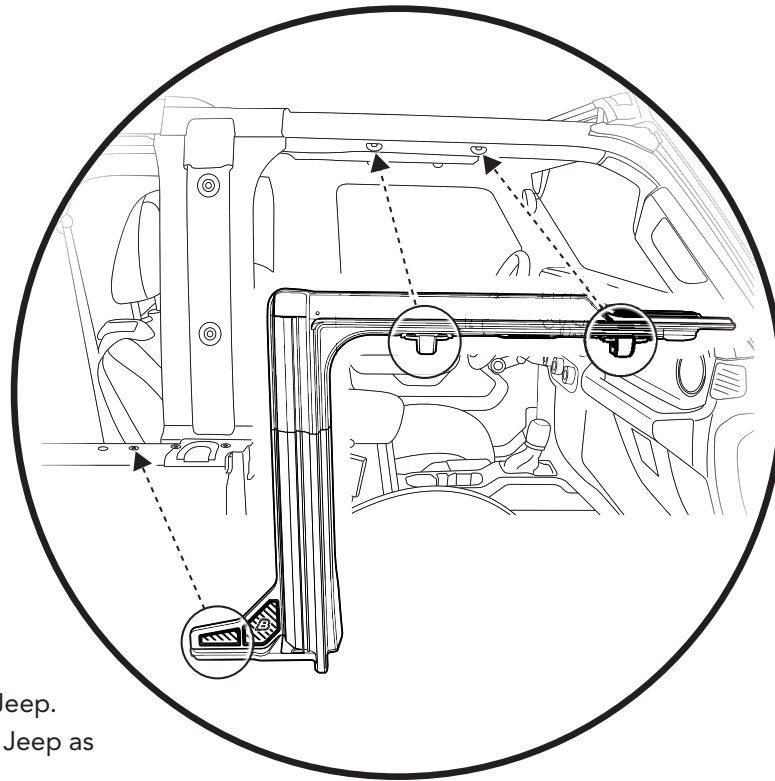
Repeat with the Left side Door Rails #577.07 and #577.09.



4mm  
Allen Wrench



10mm  
Wrench

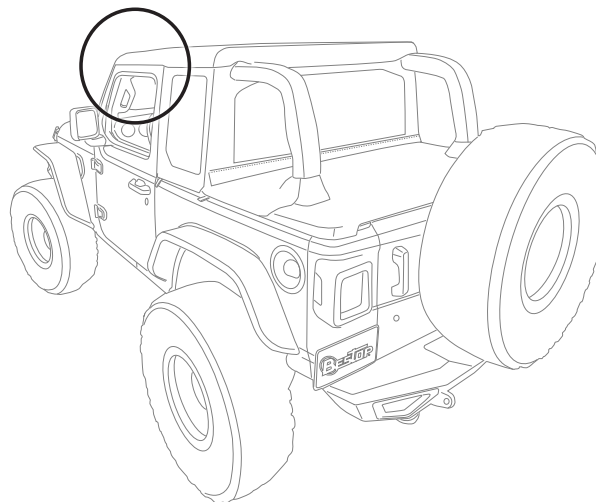


Attach the Door Rail Assemblies to the Jeep.  
Place each Door Rail Assembly onto the Jeep as shown above.

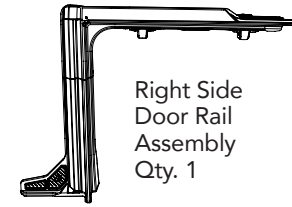
Align the hole in the lower portion of the Assembly with the threaded hole in the Jeep belt rail, the alignment pin on the bottom of the Assembly with the receiving hole in the top of the belt rail, and the two integral brackets along the top of the Assembly with the through-holes in the Jeep Sport Bar. Insert two (2) M8x1.25x80 Screws #532.23 up from the bottom of the integral brackets and tighten and tighten to 55 in/lb (4.5 ft/lb).

**Note:** To prevent over torquing, Use a Screwdriver type Torx driver if a torque wrench is not available.

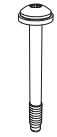
Use one (1) M8x1.25x20 screw #573.09 on each Assembly to secure the Assembly to the Jeep belt rail.



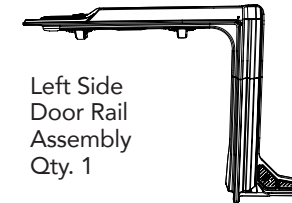
### Hardware



Right Side  
Door Rail  
Assembly  
Qty. 1



M8x1.25x80  
Screw  
#532.23  
Qty. 4



Left Side  
Door Rail  
Assembly  
Qty. 1



M8x1.25x20  
Screw  
#573.09  
Qty. 2

### Tools



T40 Torx Driver



Torque Wrench

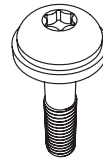
## Hardware



Tailgate Bar Retainer  
Part #575.38 - Right  
Qty. 1



Tailgate Bar Retainer  
Part #573.39 - Left  
Qty. 1

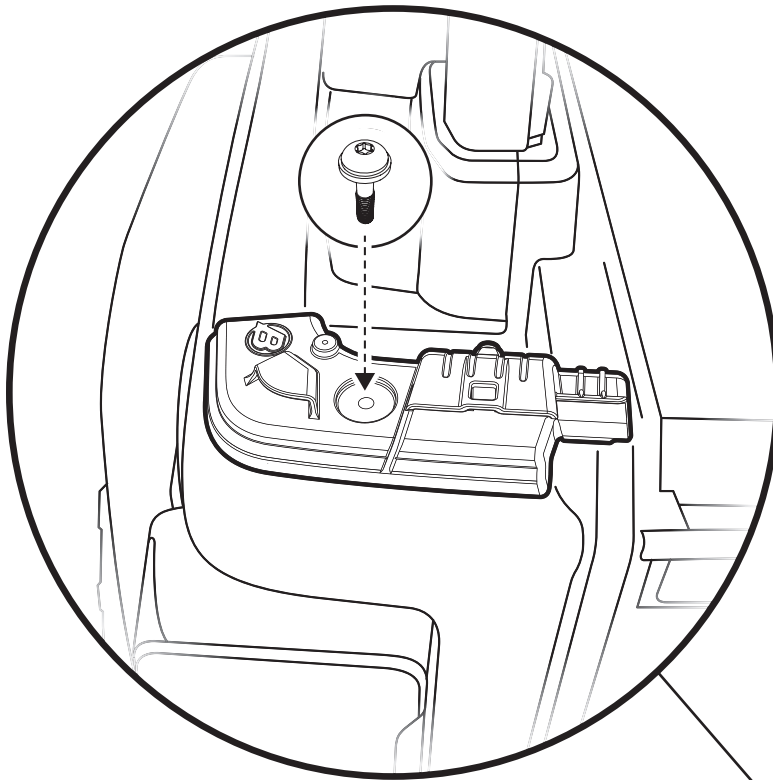


M8x1.25x38  
Button Head  
Socket Cap Screw  
#532.17  
Qty. 2

## Tools

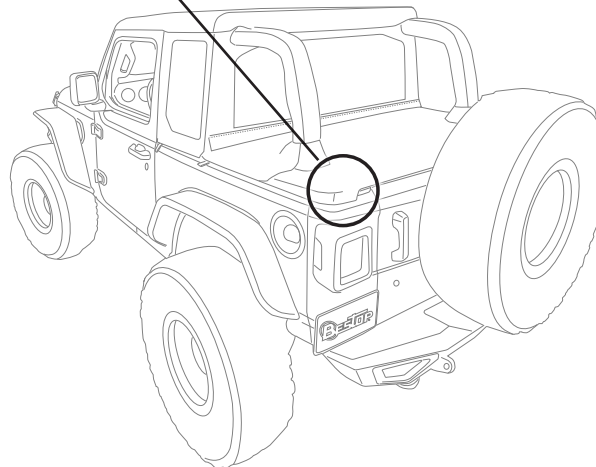


T50 Torx Driver

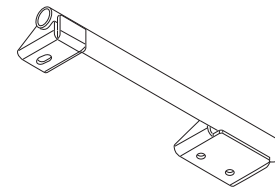
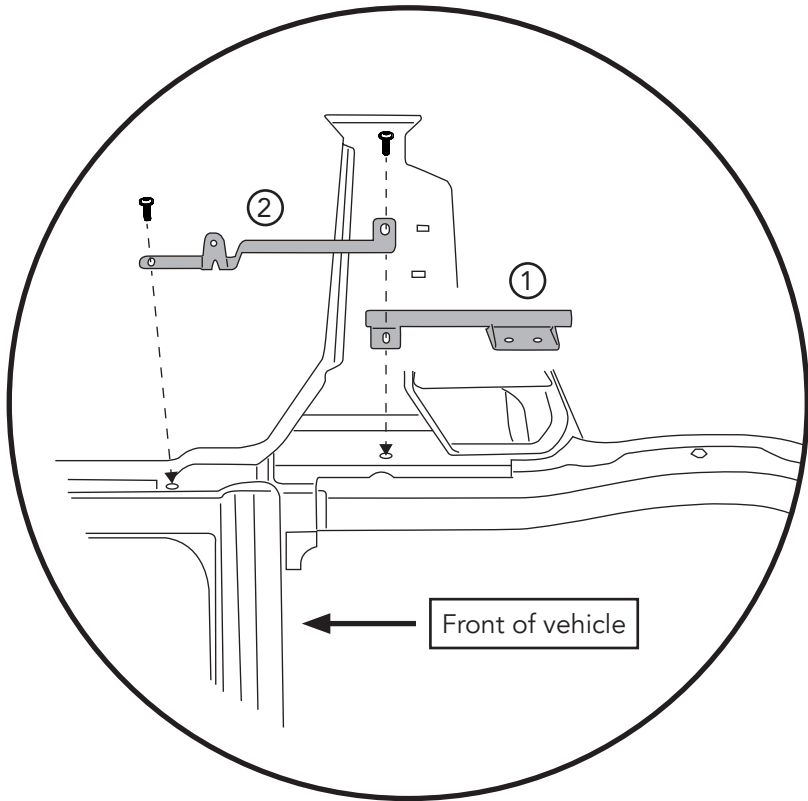


Attach the Tailgate Bar Retainers #575.38 (right) and #575.39 (left) to the Jeep Belt Rail, using one (1) M8x1.25x38 Button Head Socket Cap Screw per retainer.

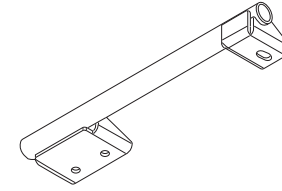
Insert the screws through the retainers, and into threaded holes in the top of the Jeep belt rail, and tighten.



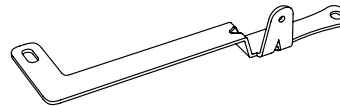
Hardware



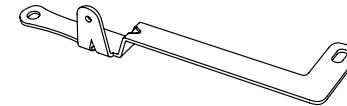
#3 Bow Mount Bracket  
Part #613.66 - Right  
Qty. 1



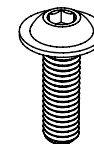
#3 Bow Mount Bracket  
Part #613.67 - Left  
Qty. 1



#2 Bow Mount Bracket  
Part #585.46 - Right  
Qty. 1



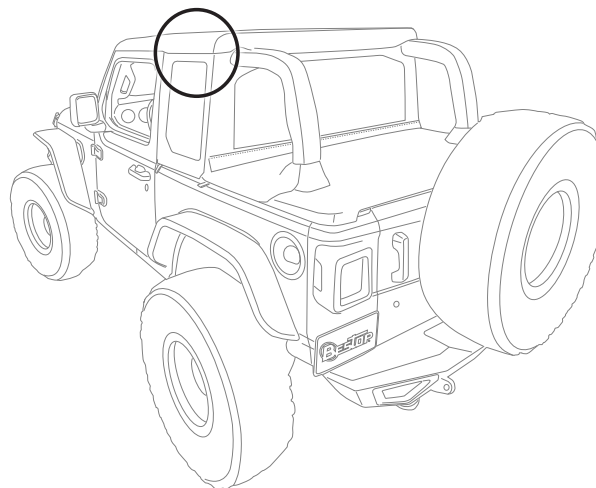
#2 Bow Mount Bracket  
Part #585.47 - Left  
Qty. 1



M8x1.25x20mm  
Flanged Button Head  
Cap Screw  
#573.09  
Qty. 4

- ① Place the #3 Bow Mounting Bracket in position on the vehicle.
- ② Place the #2 Bow Mounting Bracket on top of the #3 Bow Mounting Bracket then loosely install two (2) M8 x 1.25 x 20mm Flanged Head Cap Screws to hold the brackets in position.

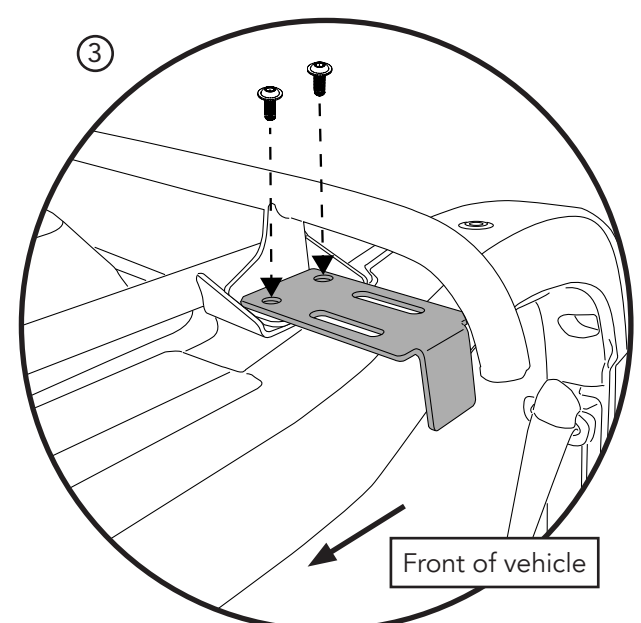
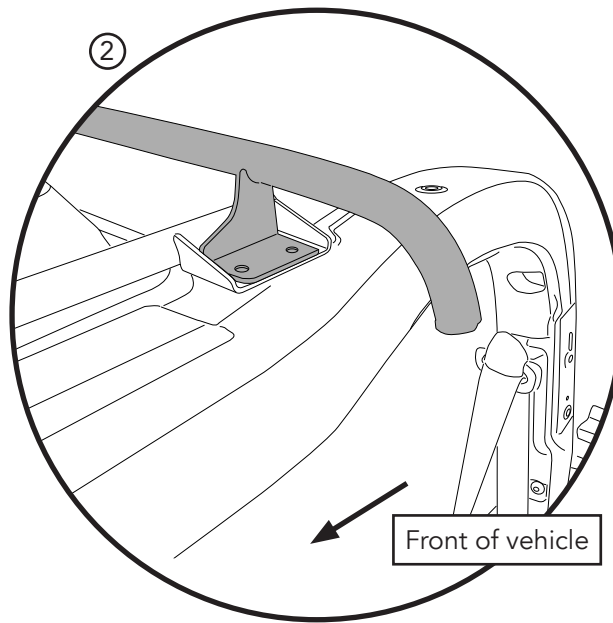
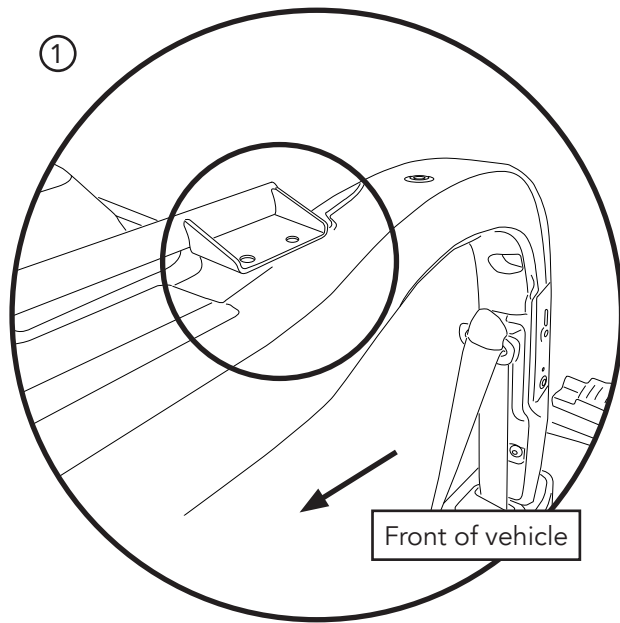
Repeat on the right side of the vehicle.



Tools



T40 Torx Driver



- ① Locate the #3 Bow Mounting Tab on the #3 Bow Mount Brackets.
- ② Place the #3 Bow on top of the Bow Mount Brackets. Make sure the bow is offset to the rear of the vehicle.
- ③ Place the Rear Attach Bracket on top of the #3 Bow mounting points then secure them using two (2) M5x0.8x12mm Flanged Button Head Cap Screws on each side of the Jeep.

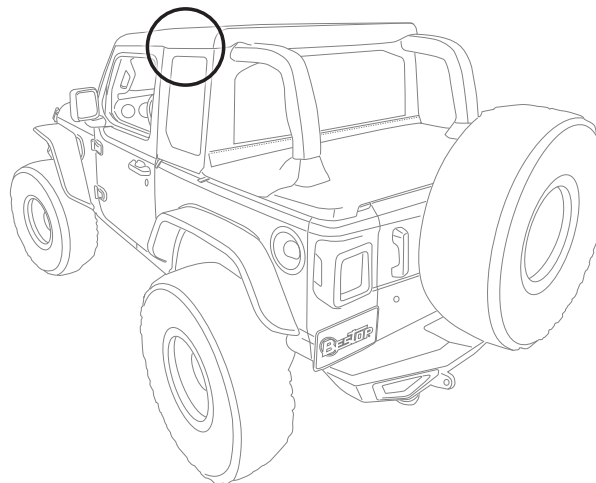
Tighten all of the bow mounting fasteners at this time.

**Tools**

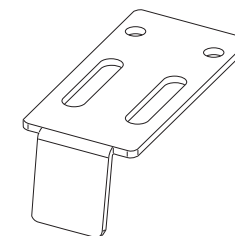


4mm Allen Wrench

**Hardware**



#3 Bow Assembly  
Part #614.87  
Qty. 1

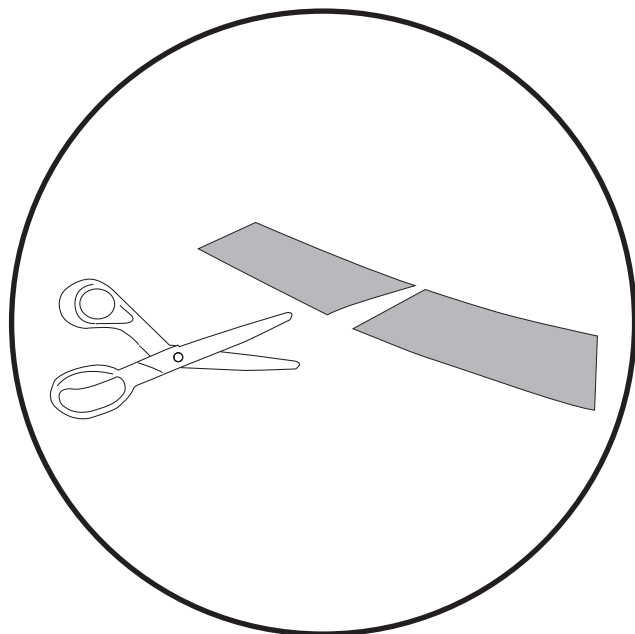


Brkt, Rear Attach  
Part #611.88  
Qty. 2

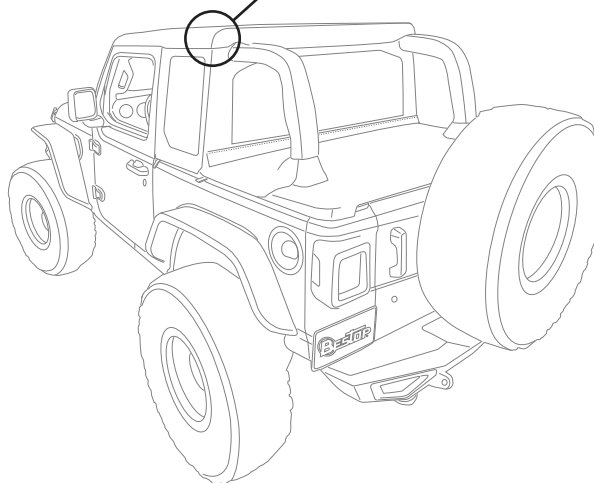
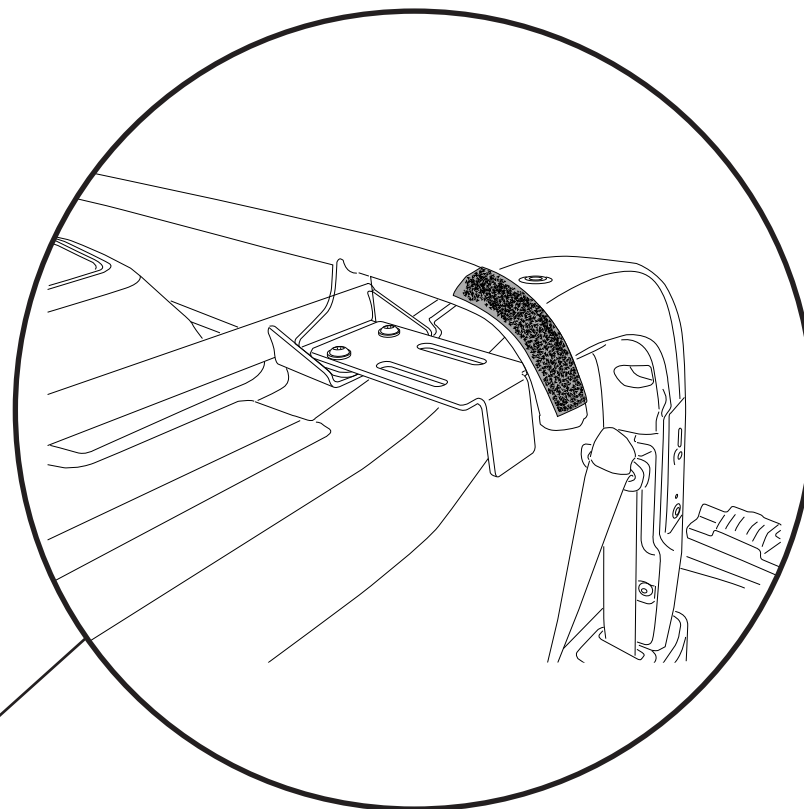


M5x0.8x12  
Flanged Button  
Head Cap Screw  
#531.49  
Qty. 4

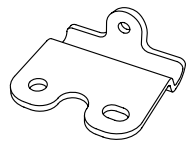
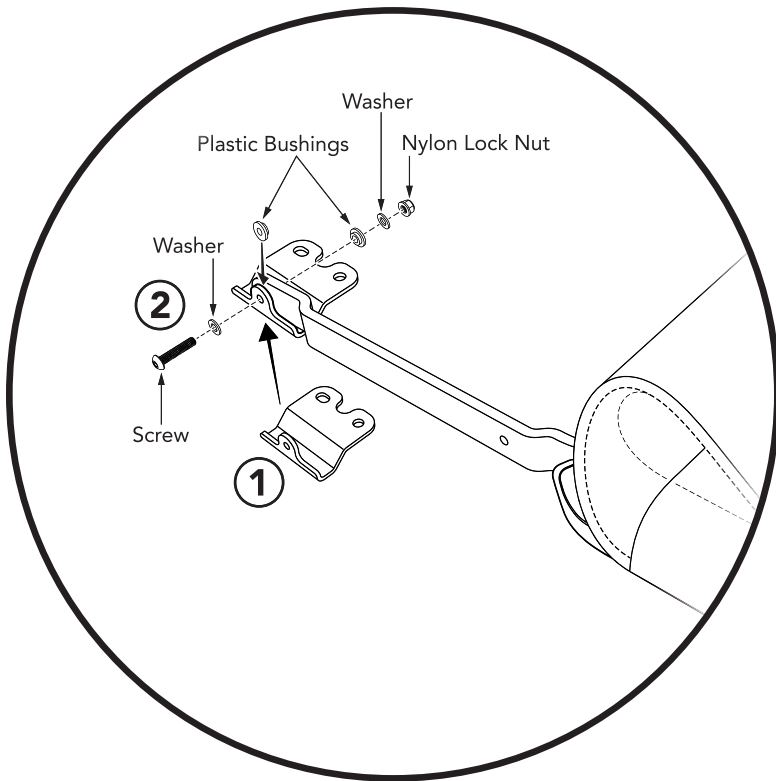




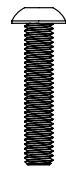
- ① Cut the 10 inch piece of Adhesive Loop into two 5 inch pieces.
- ② Peel the backing off of the Adhesive Loop then place the velcro on the end of the #3 Bow.



**Hardware**



Side Bow Pivot Bracket  
Part #579.96  
Qty. 2



M5x0.8x25  
Button Head  
Socket Cap Screw  
#579.60  
Qty. 4



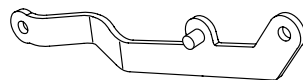
M5 Flat Washer  
#565.90  
Qty. 8



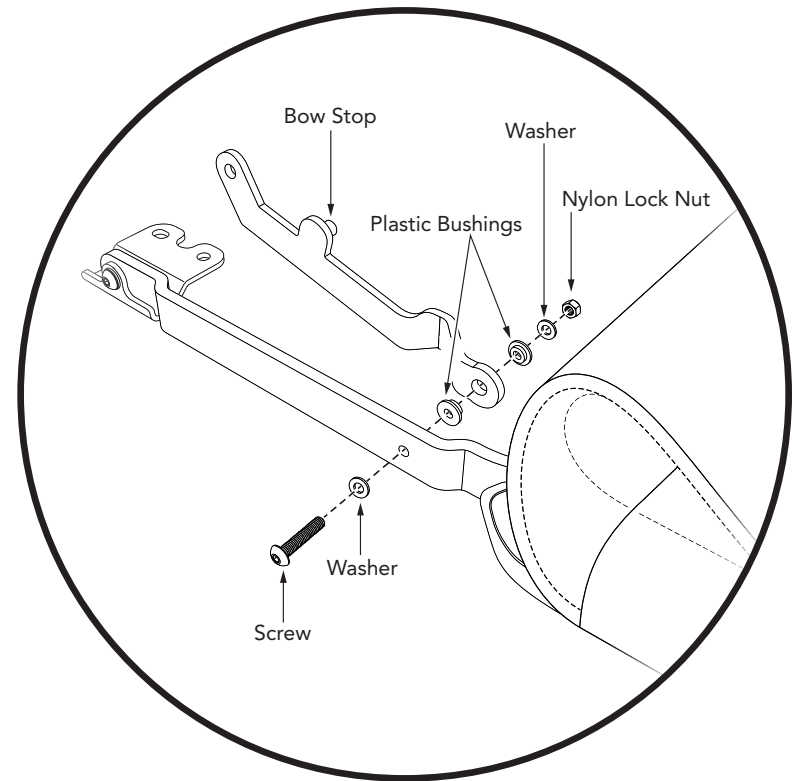
Plastic Bushing  
#473.40  
Qty. 8



M5 Nylon Lock Nut  
#526.76  
Qty. 4



#2 Bow Link Assembly  
Part #578.67 - Left (shown)  
Part #578.66 - Right  
Qty. 1 of each



- ① Attach the Side Bow Pivot Brackets to the Side Bows on the Header/Deck Assembly.
- ② The Brackets attach to the end of each Side Bow using one (1) M5x0.8x25 Button Head Socket Cap Screw, two (2) Bushings, two (2) M5 Flat Washers and one (1) M5 Nylon Lock Nut on each Side Bow Leg. The Plastic Bushings go directly on either side of the Side Bow legs.

Attach the #2 Bow Link Assemblies to the Side Bows on the Header Assembly. Make sure that the Bow Stop on each Bow Link Assembly faces out. The Bow Links attach to the end of each Side Bow leg using one (1) M5x0.8x25 Button Head Socket Cap Screw, two (2) Bushings, two (2) M5 Flat Washers and one (1) M5 Nylon Lock Nut on each Side Bow Leg. The Plastic Bushings go directly on either side of the Side Bow legs.

**Tools**

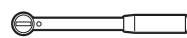


3mm Allen  
Wrench



8mm  
Wrench

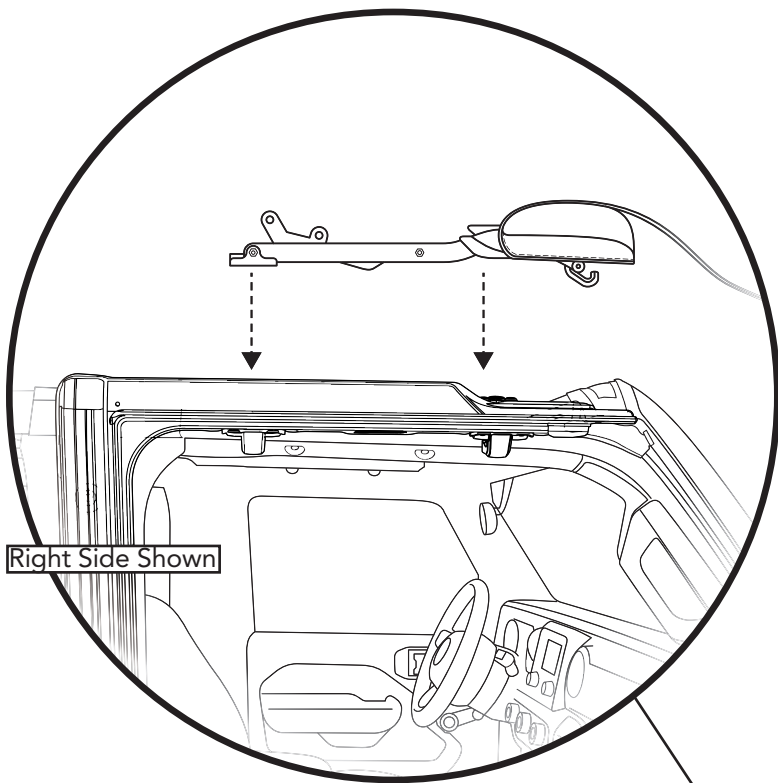
- OR -



Socket  
Wrench



8mm  
Socket




Right Side Shown

Place the Header and fabric on the Jeep windshield header, laying the fabric across the windshield and hood of the Jeep. Align the Pivot Bracket holes with the holes in the rear sport bar clamps on the Door Rails.

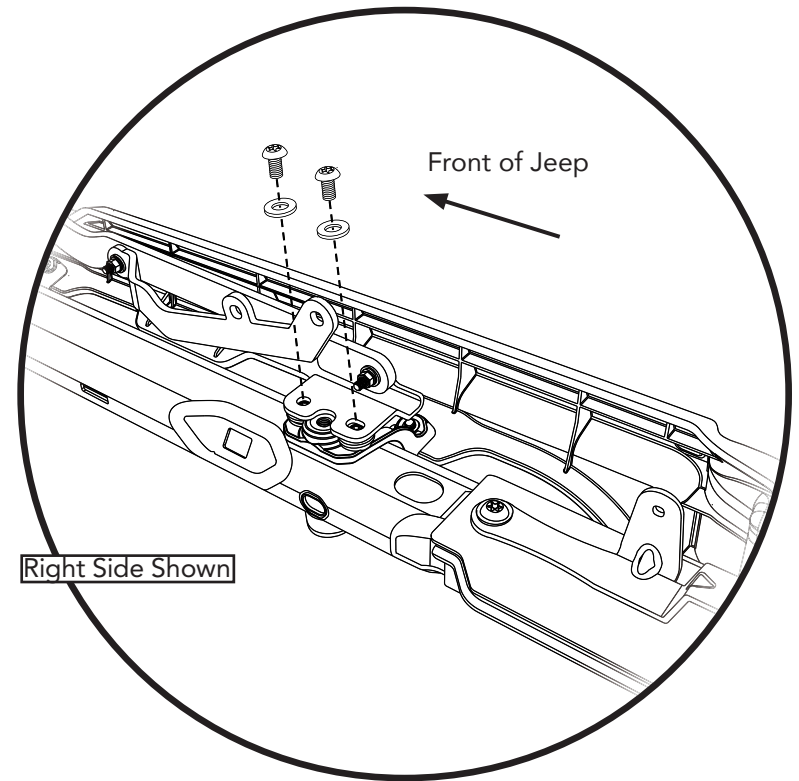
Hardware

 M6 x 15  
Button Head  
Socket Cap Screw  
#517.63  
Qty. 4

 M6 Flat Washer  
#515.81  
Qty. 4

Tools

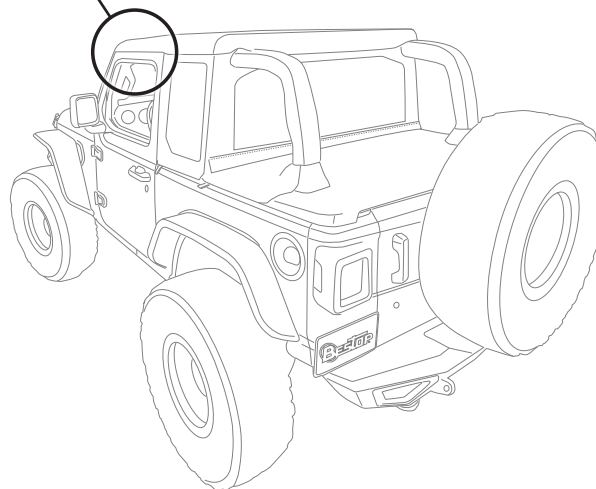
 4mm Allen  
Wrench



Right Side Shown

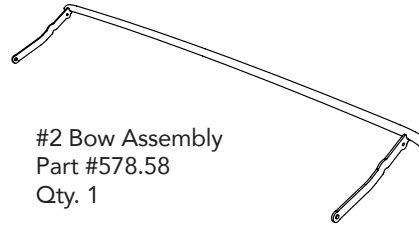
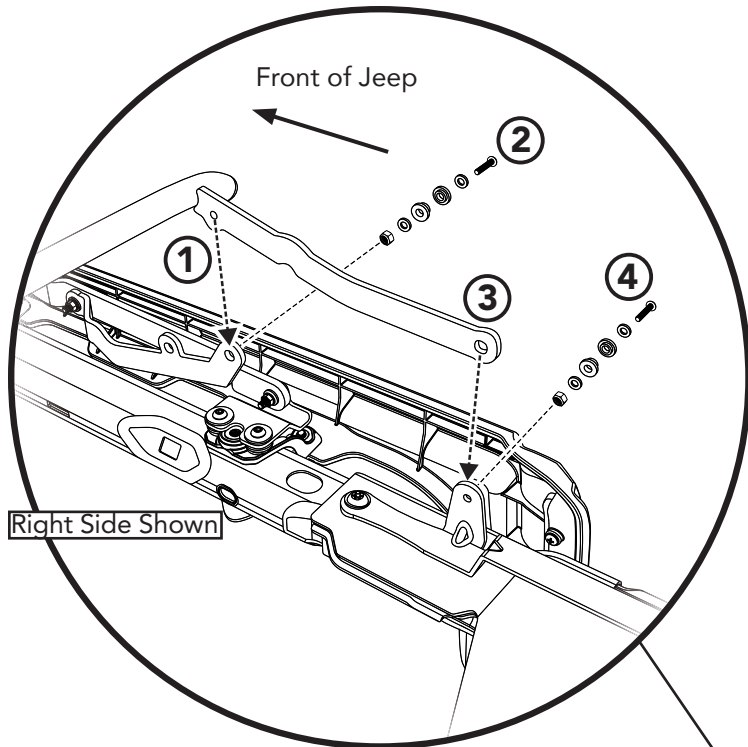
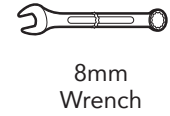
Secure the Pivot Brackets to the Door Rails using two (2) M6 x 15 Button Head Socket Cap Screws and two (2) M6 Flat Washers on each side of the vehicle.

Do not fully tighten fasteners at this time -



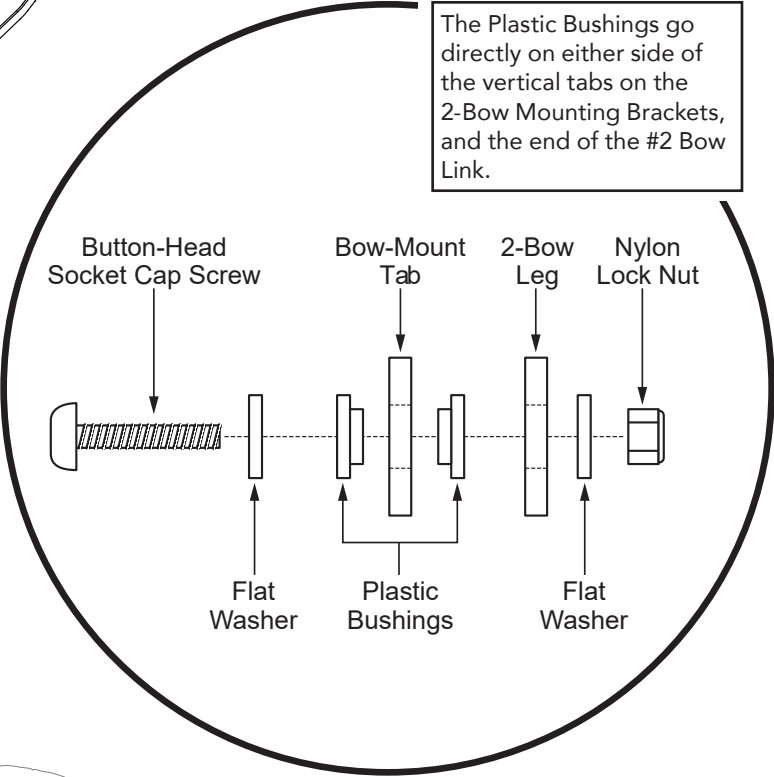
Hardware

Tools



Detail

The Plastic Bushings go directly on either side of the vertical tabs on the 2-Bow Mounting Brackets, and the end of the #2 Bow Link.



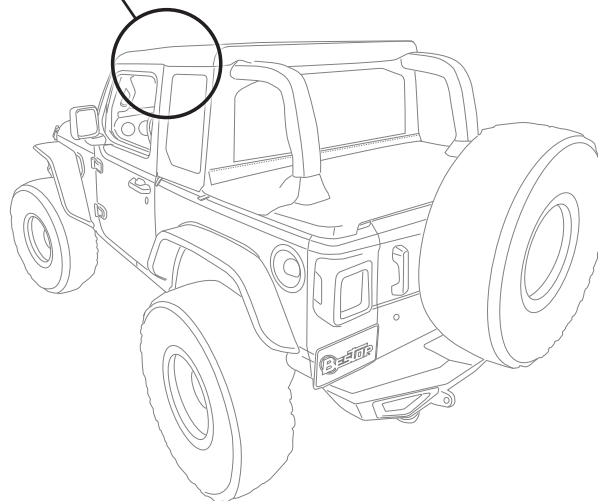
M5x0.8x25 Button Head Socket Cap Screw #579.60 Qty. 4

M5 Flat Washer #565.90 Qty. 8

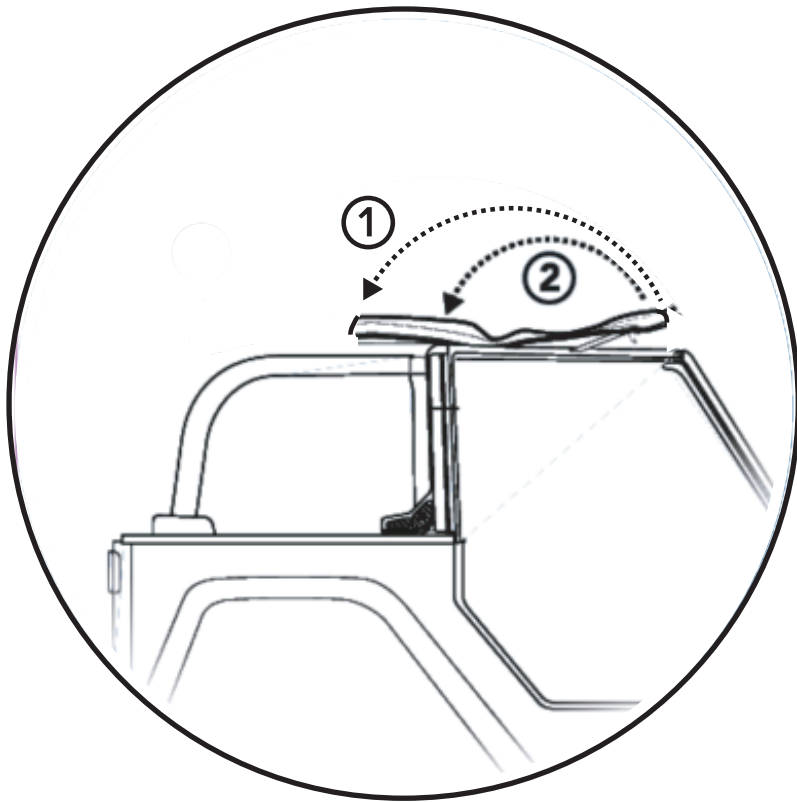
Plastic Bushing #473.40 Qty. 8

M5 Nylon Lock Nut #526.76 Qty. 4

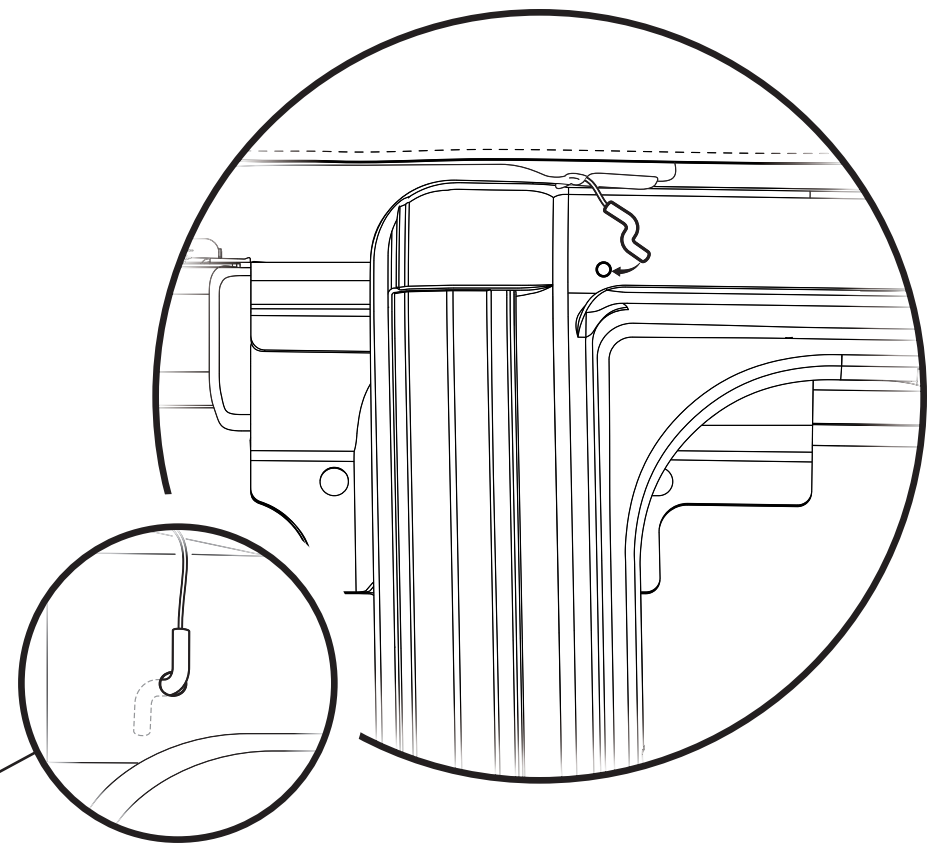
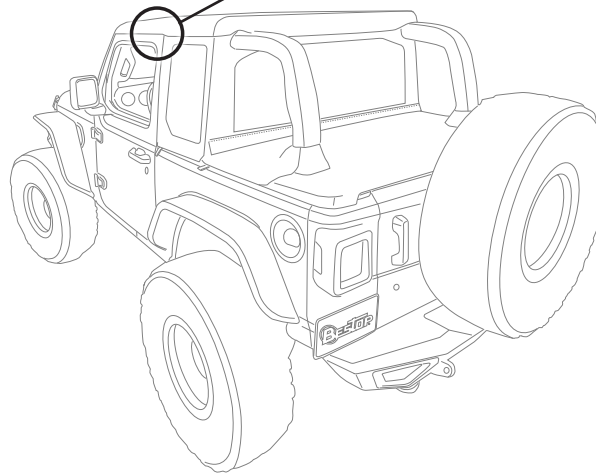
- ① Place the #2 Bow so that each Bow leg is on the inside of the #2 Bow Link Assemblies.
- ② Secure each Bow Leg to the Bow Link using one (1) M5x0.8x25 Button Head Socket Cap Screw, two (2) Bushings, two (2) M5 Flat Washers and one (1) M5 Nylon Lock Nut on each Side.
- ③ Place the end of each Bow Leg on the outside of the #2-Bow Mount Bracket vertical tabs.
- ④ Secure each Bow Leg to the Bracket using one (1) M5x0.8x25 Button Head Socket Cap Screw, two (2) Bushings, two (2) M5 Flat Washers and one (1) M5 Nylon Lock Nut on each Side. See Detail for correct fastener placement.



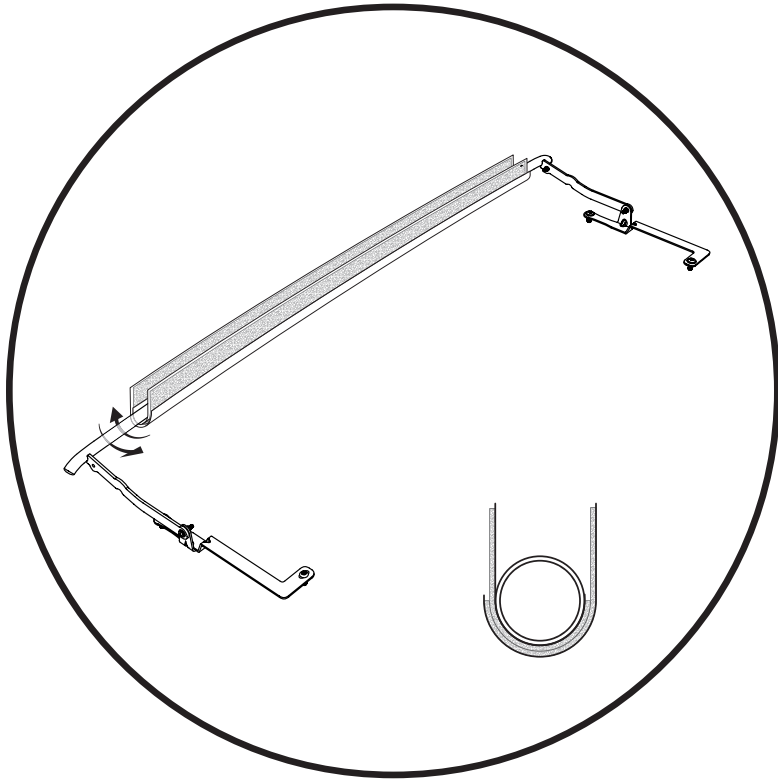
Tighten all fasteners which you have not fully tightened at this point in the installation.



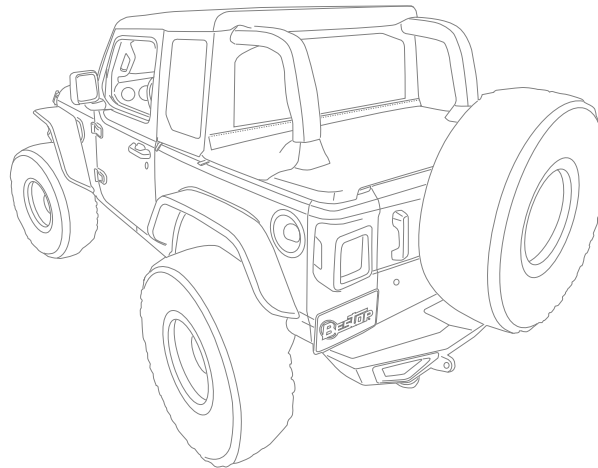
- ① Drape the Top Fabric over the top of the Jeep Sport Bars, and the #2 and #3 bows
- ② Open the Sunrider. Fold the Sunrider back from the front pivot point, resting the front portion of the top on the rear portion.



Locate the Z-Clips, which extend out from the edge of the top fabric just above the Door Rail on each side of the Jeep. Attach the Z-Clips to the Door Rails by inserting the end of the clip into the hole in each Door Rail.



Locate the two fabric flaps sewn to the inside of the fabric top just above the #2 Bow. Wrap these flaps around the #2 Bow so that the Hook side of one flap attaches to the Loop side of the other flap.





Vehicles with Latch Tabs

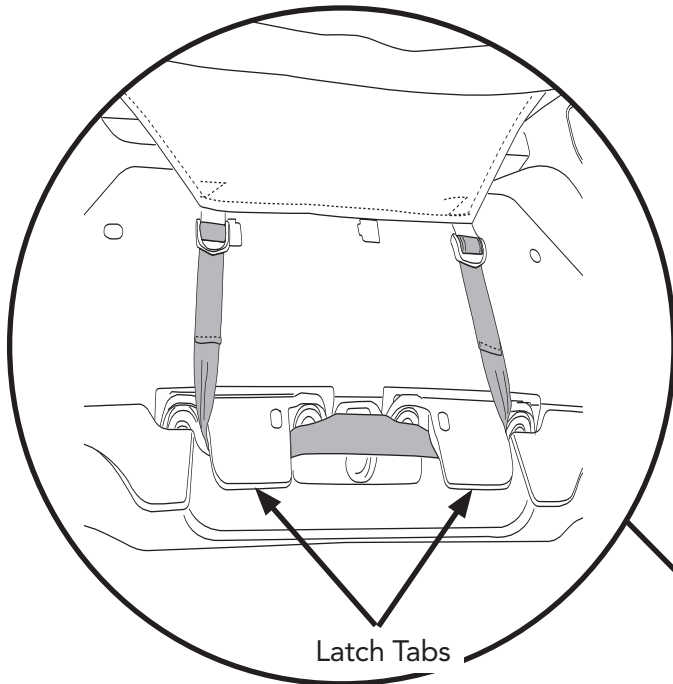
Parts



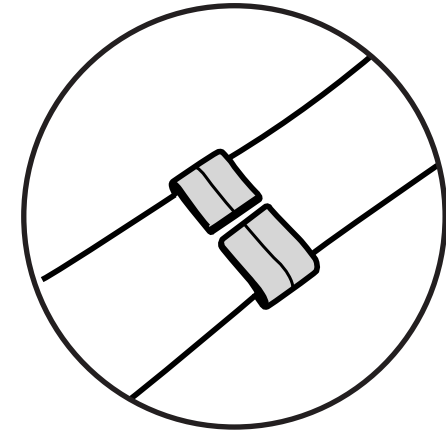
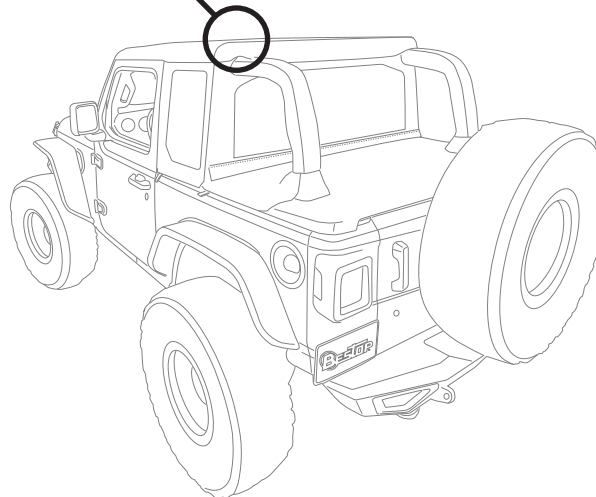
30 inch Nylon Strap  
Part #629.63  
Qty. 1



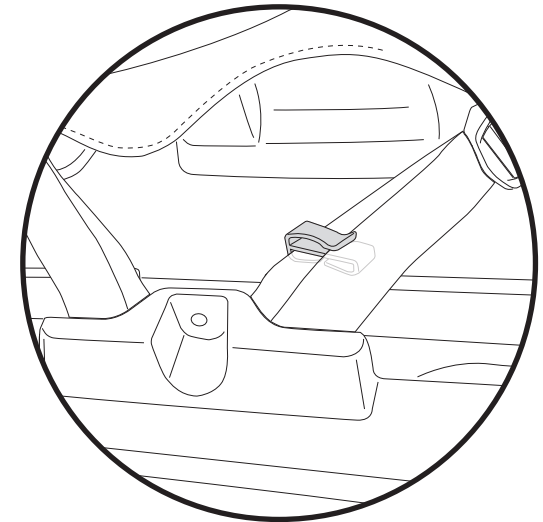
Strap Clip  
#338.24  
Qty. 2



Loosely thread the 30 inch Nylon Strap through the two buckles on the center flap (Located on the inside of the main top)  
Locate the two tabs that the rear latches of the Freedom Panels latch to. Wrap the 30 inch Nylon Strap underneath the tabs then pull the strap (at the buckles) until snug.



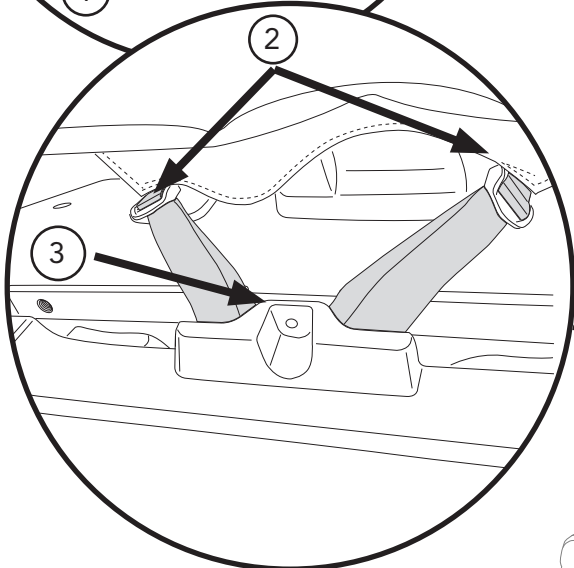
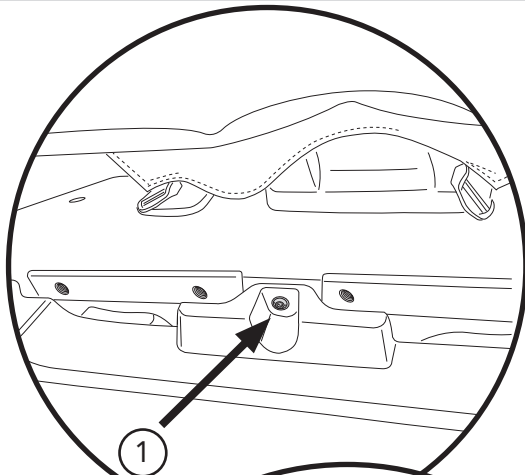
Place the lower strap between the two tabs on the lower side of the clip.



Place the upper strap into the single tab on the top of the clip.

Repeat on the other side of the strap.

Vehicles without Latch Tabs



- ① Remove screw from center of plastic trim piece.
- ② Thread the Strap into the buckles on the Center Flap.
- ③ Pull back on plastic enough to slide the strap down below the hole for the screw.

Replace the screw.

Tools

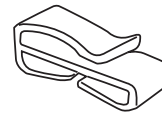


T25 Torx Driver

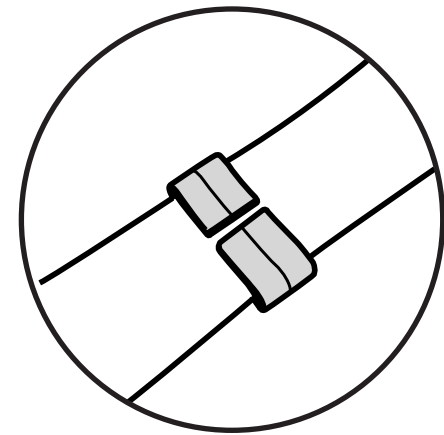
Parts



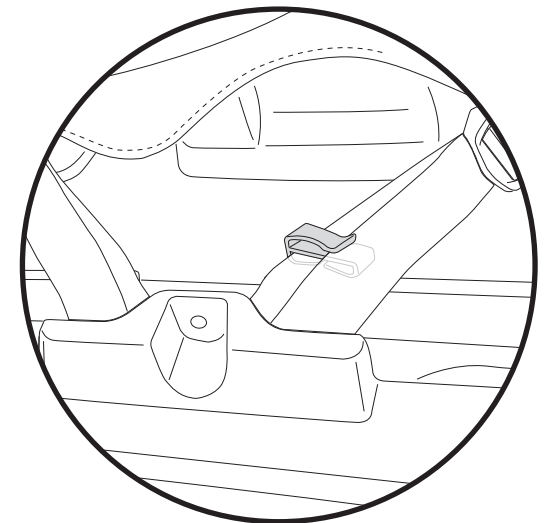
30 inch Nylon Strap  
Part #629.63  
Qty. 1



Strap Clip  
#338.24  
Qty. 2

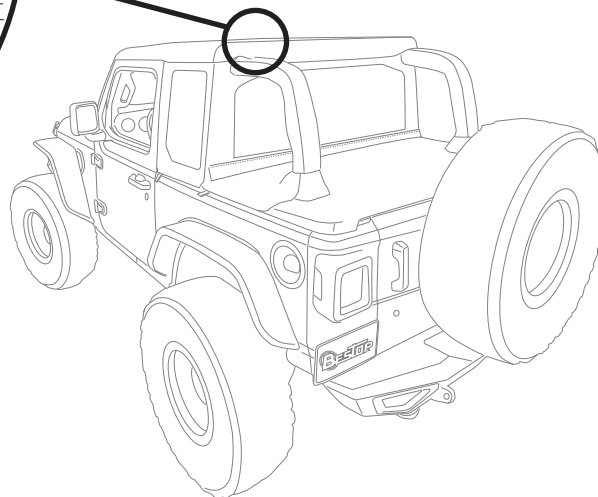


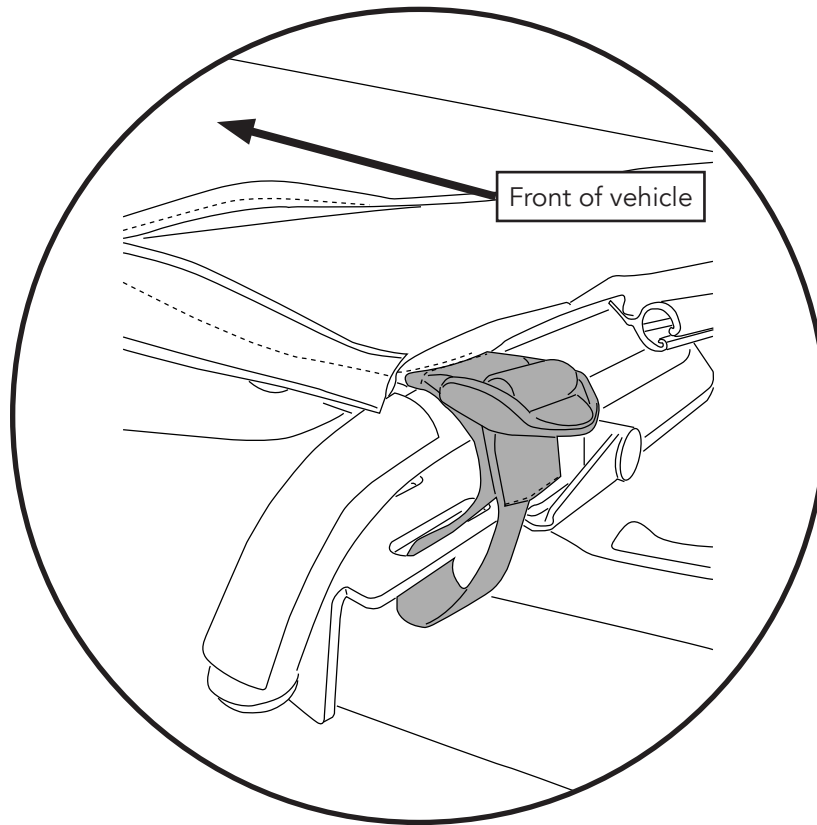
Place the lower strap between the two tabs on the lower side of the clip.



Place the upper strap into the single tab on the top of the clip.

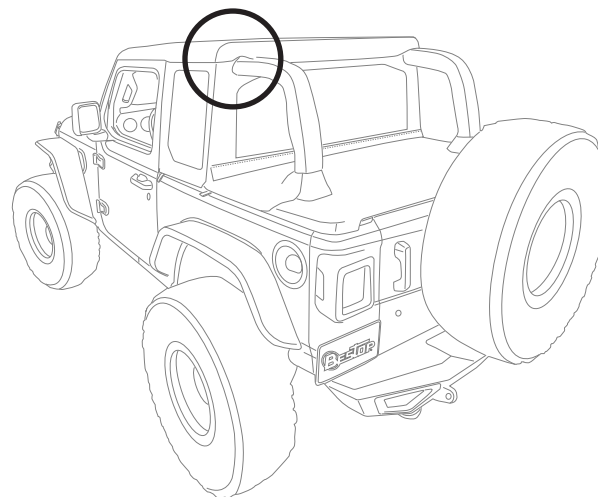
Repeat on the other side of the strap.



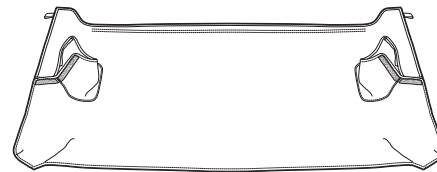
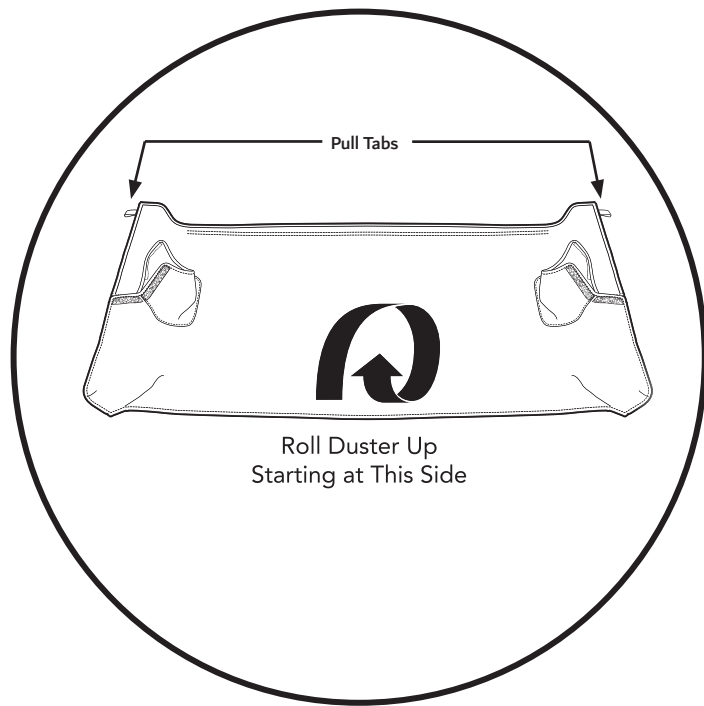
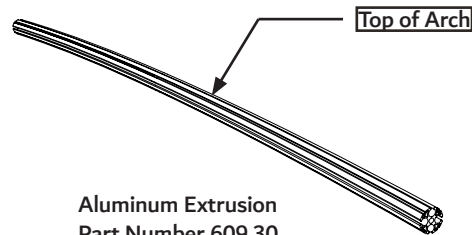
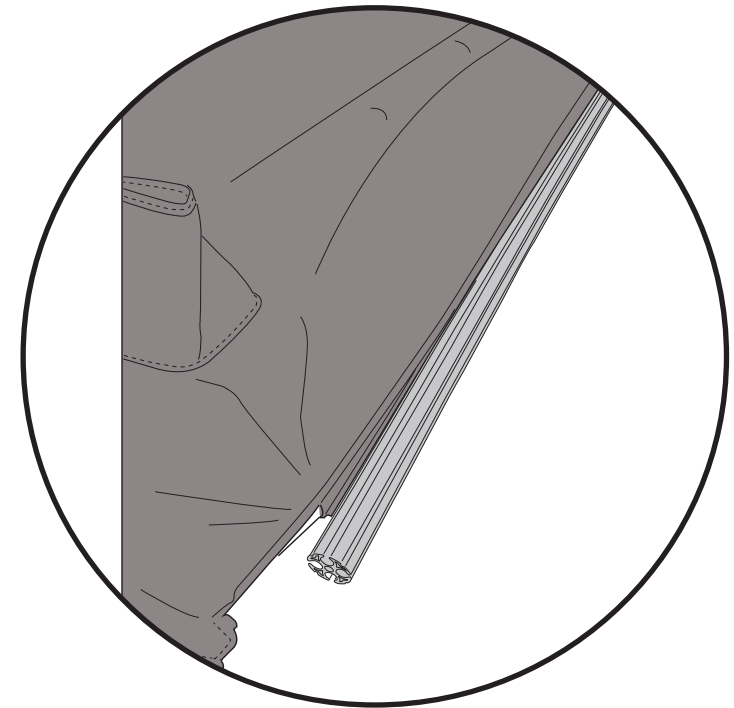


Pull the Strap located on the rear corner of the Top over the top of the #3 Bow. Thread the strap through the slot on the Rear Attach Bracket then up through the Buckle. Leave loose at this time.

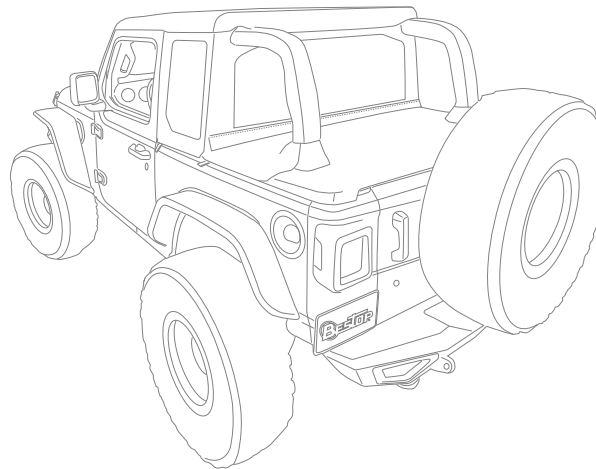
Repeat on the Right side of the vehicle.



## Hardware

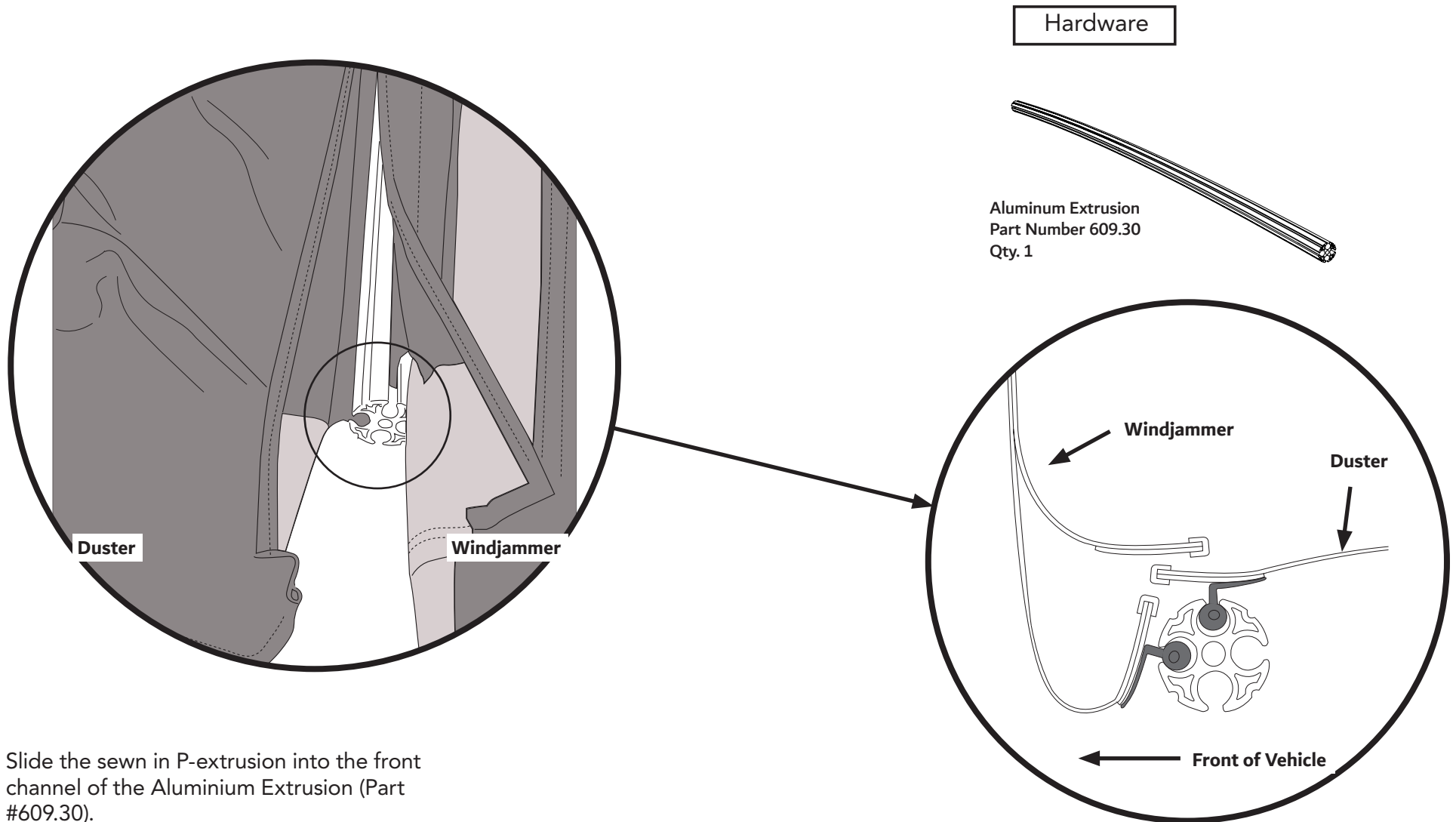
Duster  
Qty. 1Aluminum Extrusion  
Part Number 609.30  
Qty. 1

Starting on the side of the duster without the pull tabs, roll the Duster up loosely. The side of the Duster with the pull tabs is the front edge.

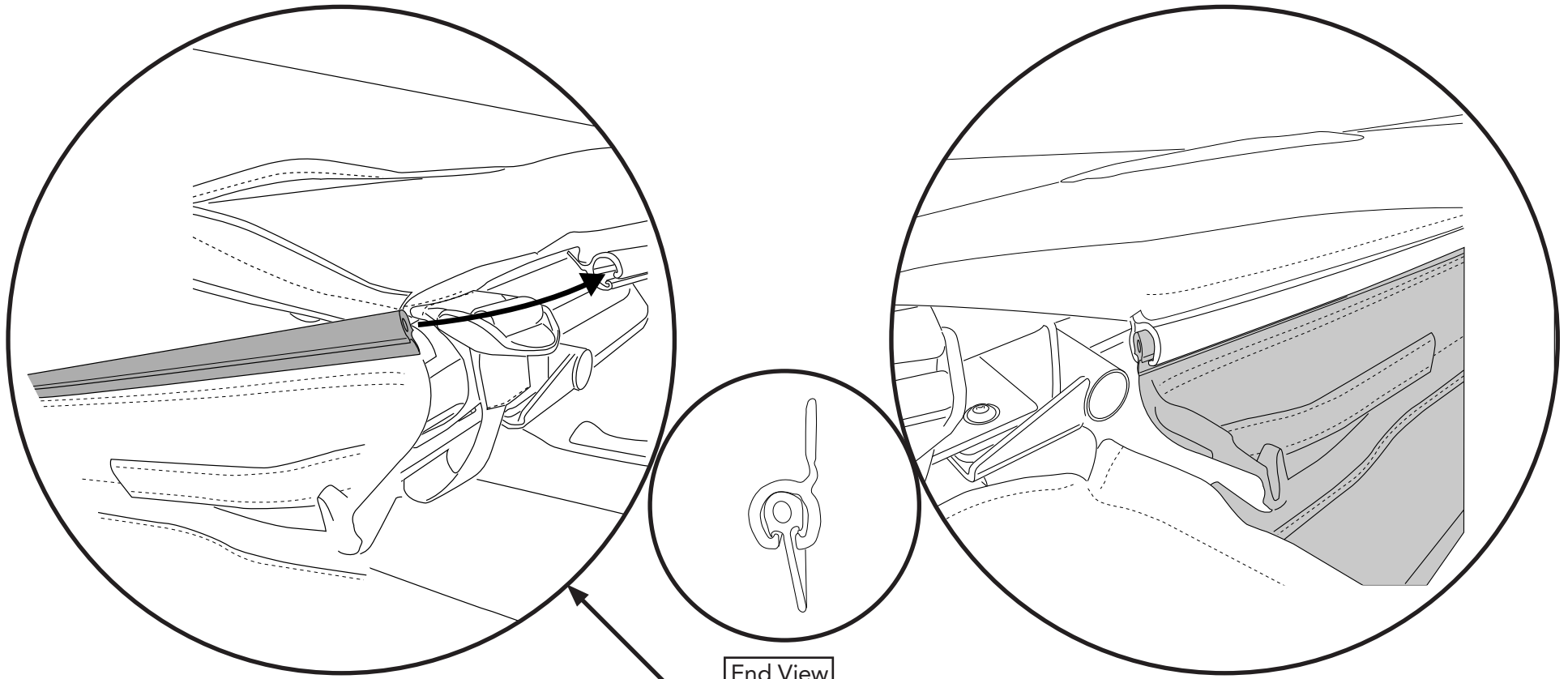


With the Duster loosely rolled up, slide the P-Extrusion along the exposed front edge of the Duster into the top slot of the Extruded Aluminum Bow, using the slot in the Bow that is on top of the arch and facing up.

**NOTE:** Aluminium Extrusion has arch. The Duster should be in the top part of the arch.

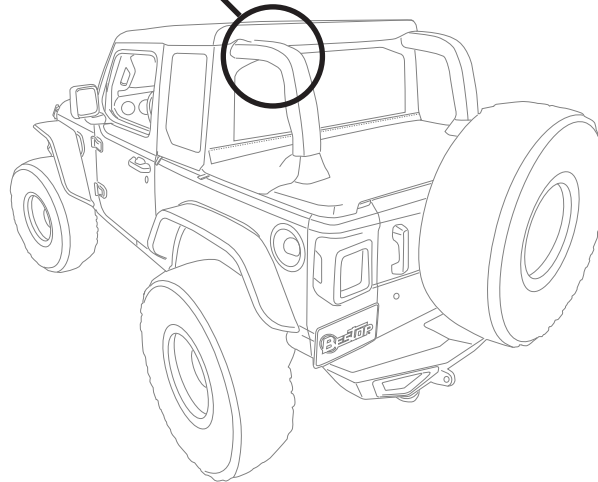


Slide the sewn in P-extrusion into the front channel of the Aluminium Extrusion (Part #609.30).

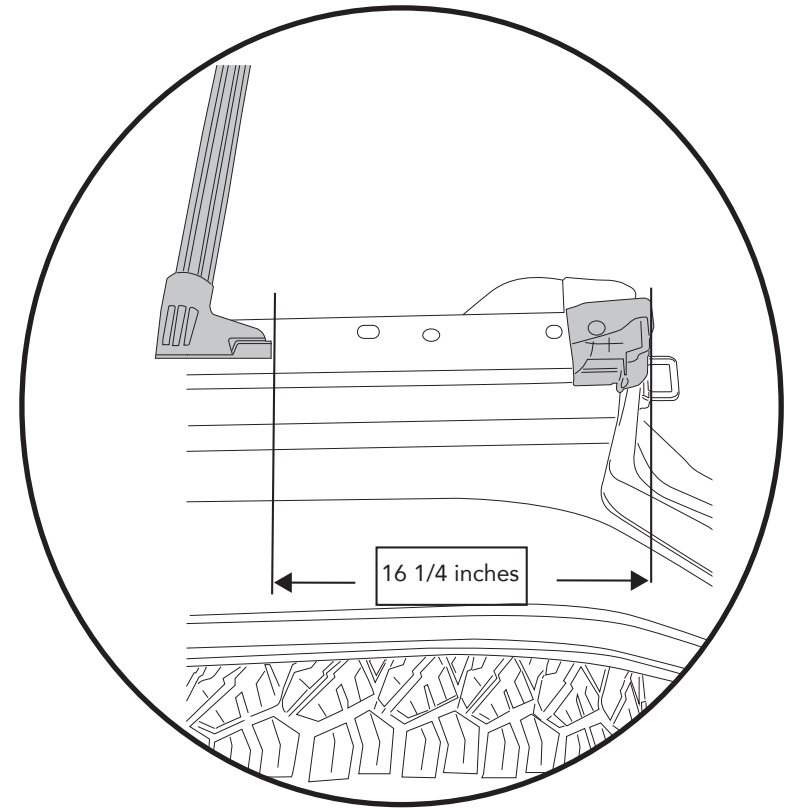
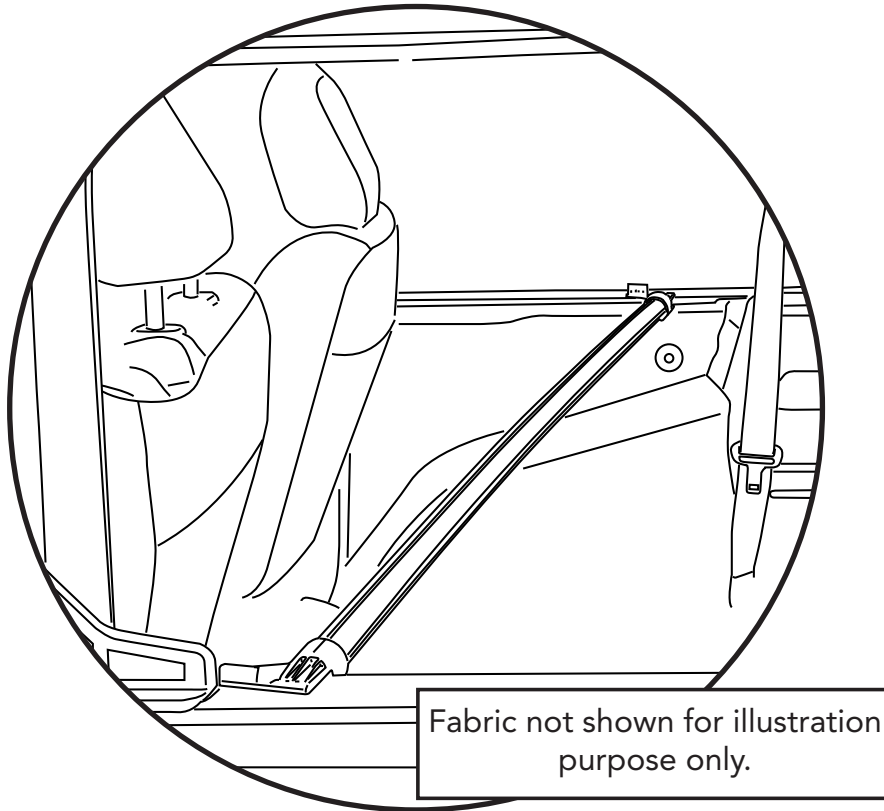


End View

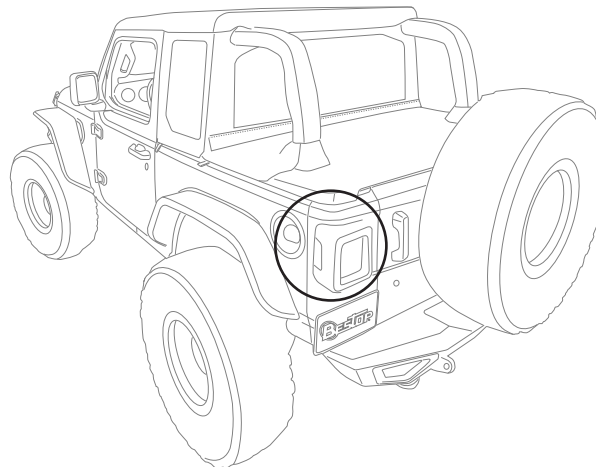
Slide the soft extrusion (On Top of the Windjammer) into the plastic "C" channel (Located on the top) until the windjammer is centered in the "C" Channel.



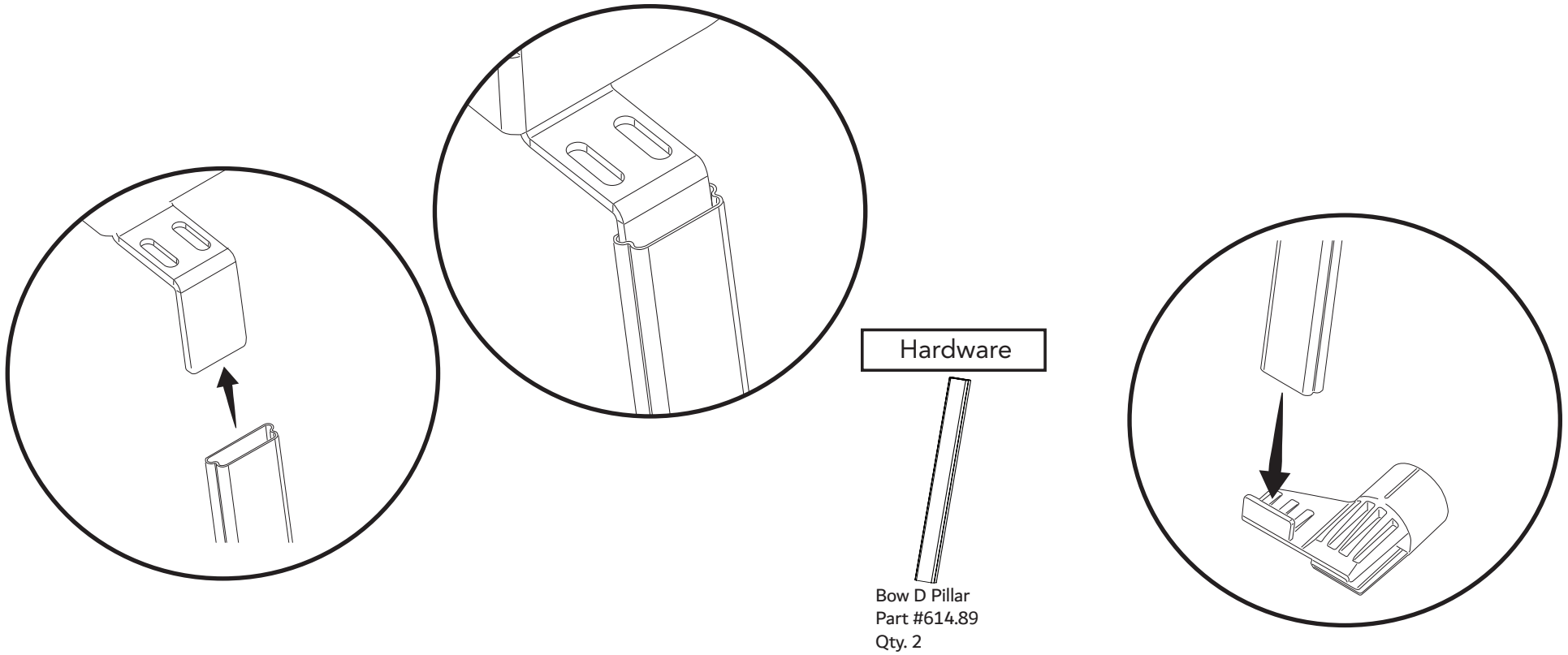




Fold the rear seat down. (Refer to Owners Manual)  
 Set End Cap as far rearward on the passenger side then set the other end cap as far forward as possible on the Driver side.



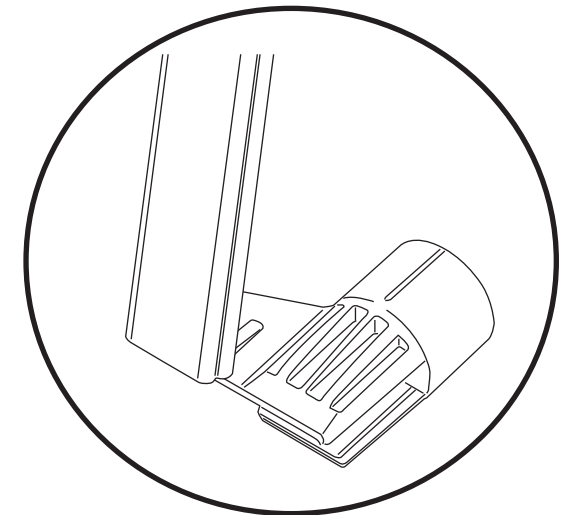
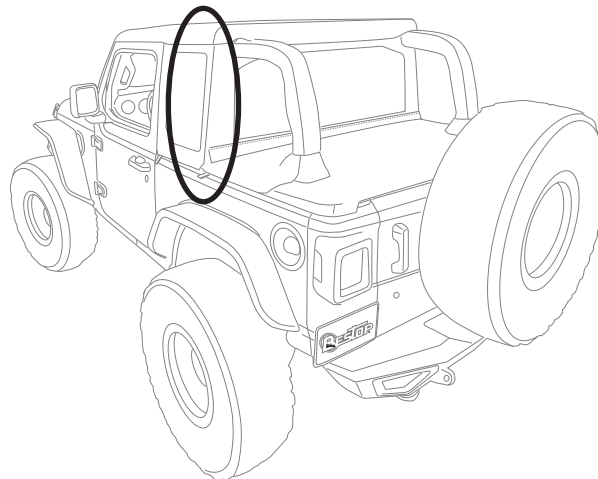
Slide the Bow End Rearward (Driver Side) and Forward (Passenger Side) until you reach the 16 1/4 inch dimension from the front of the Extrusion to the front edge of the Rubber Seal at the top and rear of the door opening.

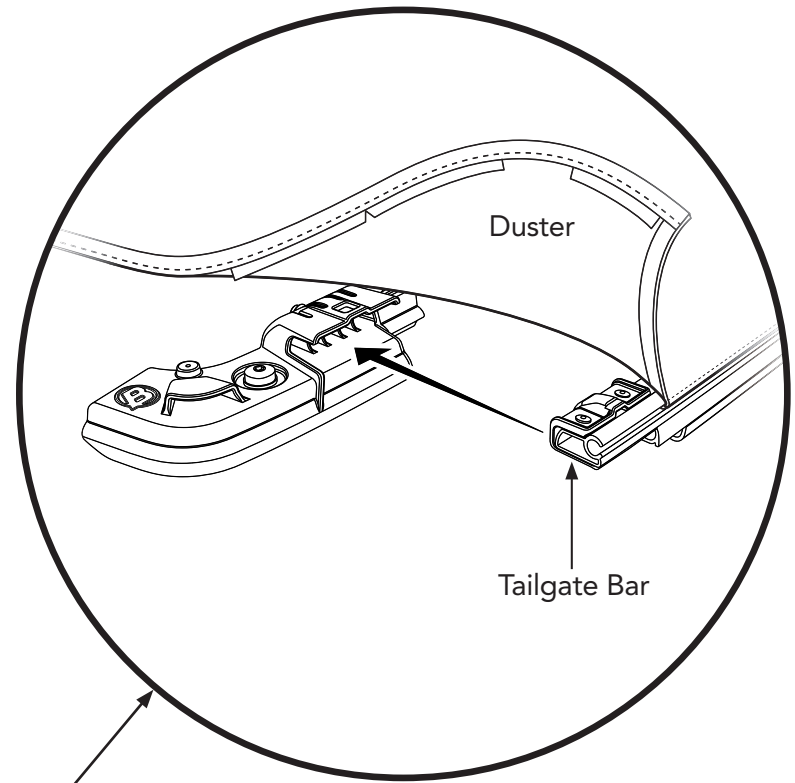
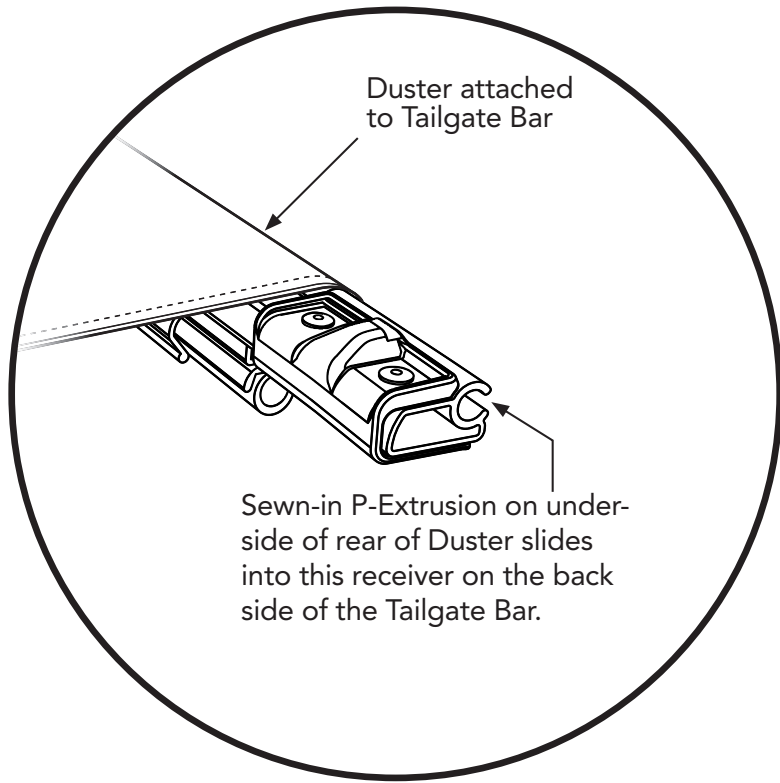


Insert the top of the D Pillar Bow onto the Bow Support Bracket and push it all of the way up.

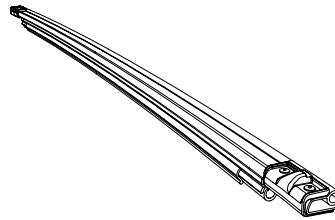
Align the D Pillar Bow with the tab on the End Cap then pull the D Pillar bow down onto the tab.

Repeat the steps on the passenger side of the vehicle.

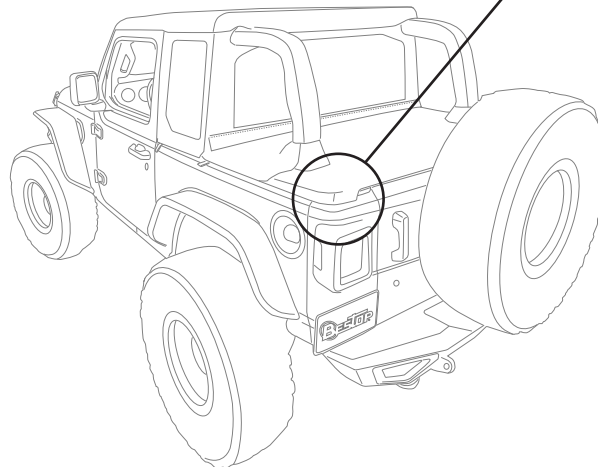




Hardware

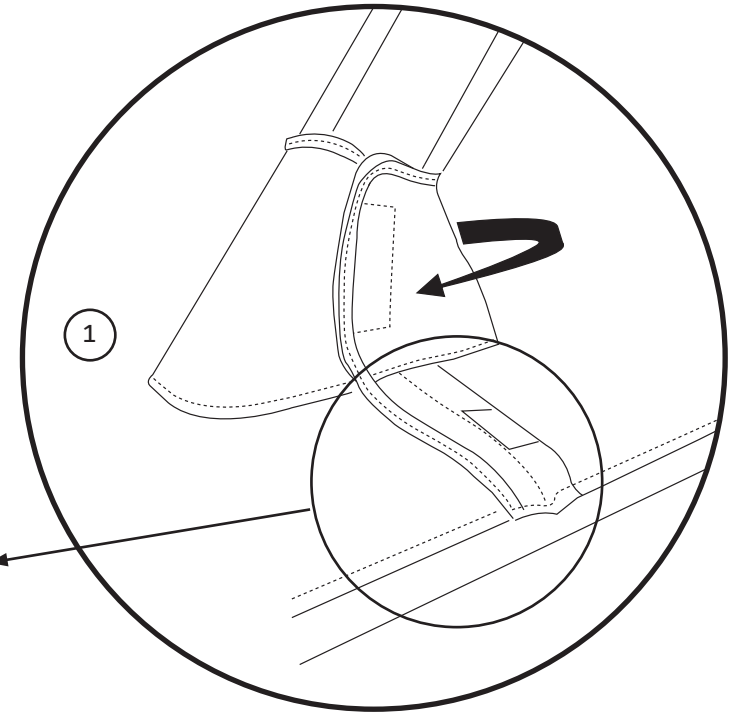
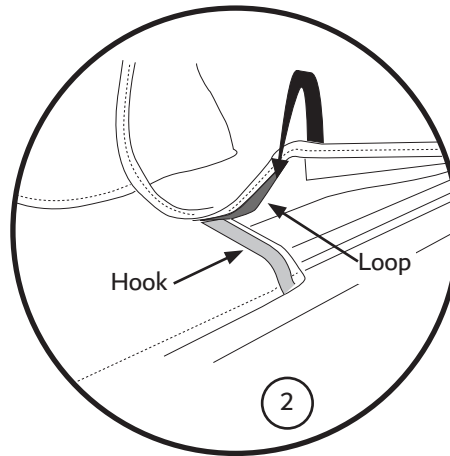
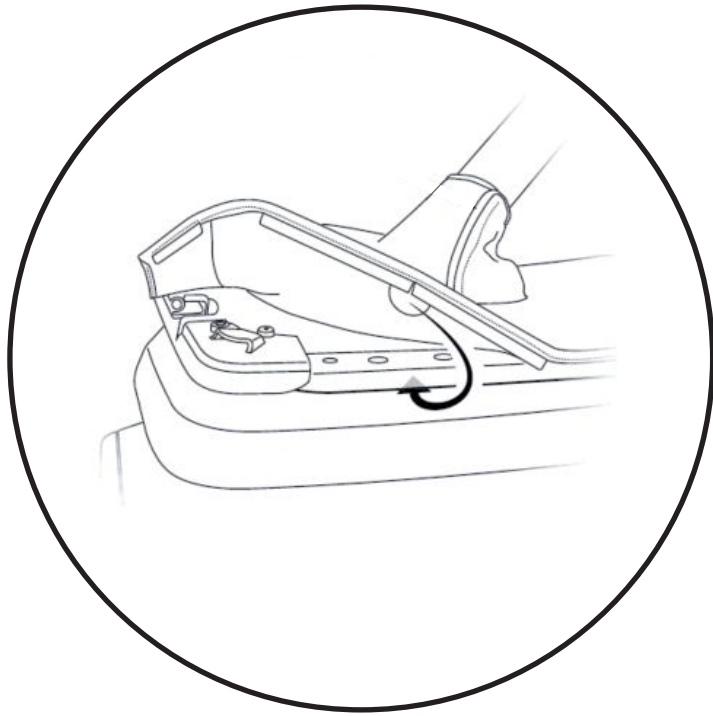


Attach the Tailgate Bar to the sewn-in P-Extrusion rail on the underside of the rear of the Duster. Slide the Tailgate Bar all the way across.



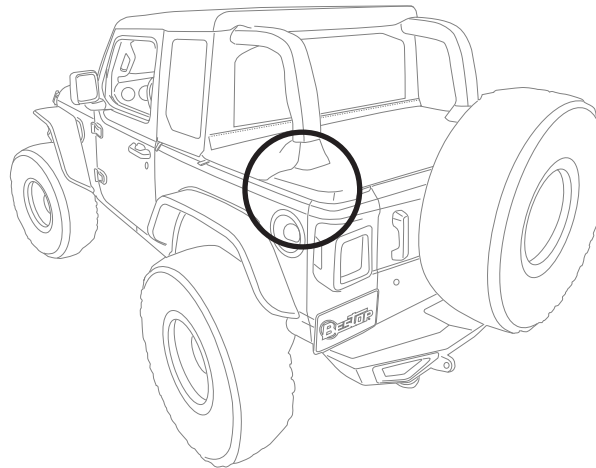
Secure the Tailgate Bar with attached Duster to the Tailgate Bar Retainers. Press the Tailgate Bar into the receiver on each Tailgate Bar Retainer.

**NOTE:** The bulb seal on the Tailgate bar must hang below the bar and face rearward for the tailgate to touch it.

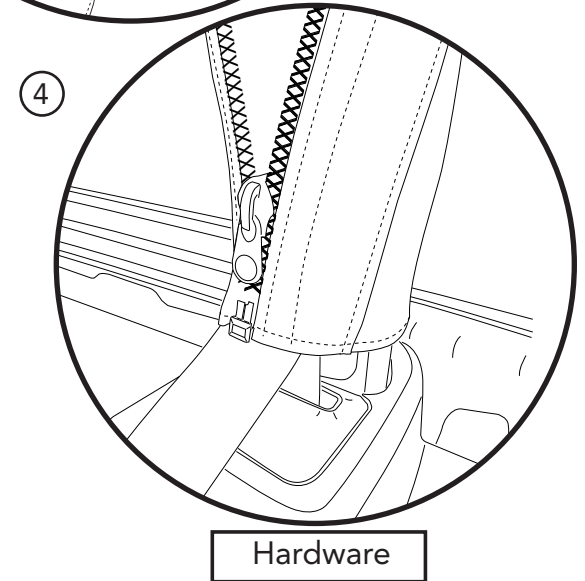
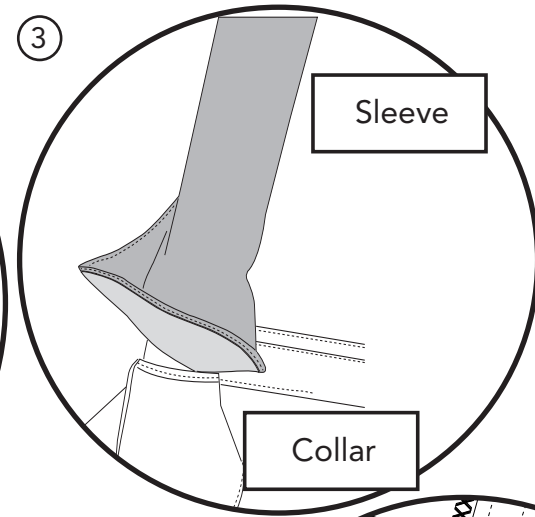
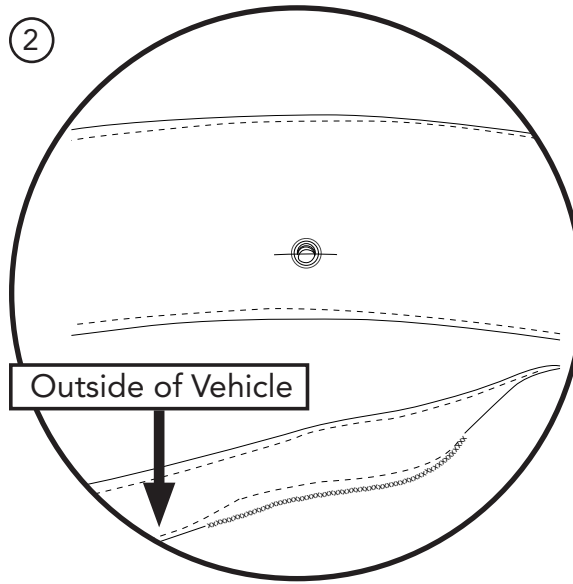
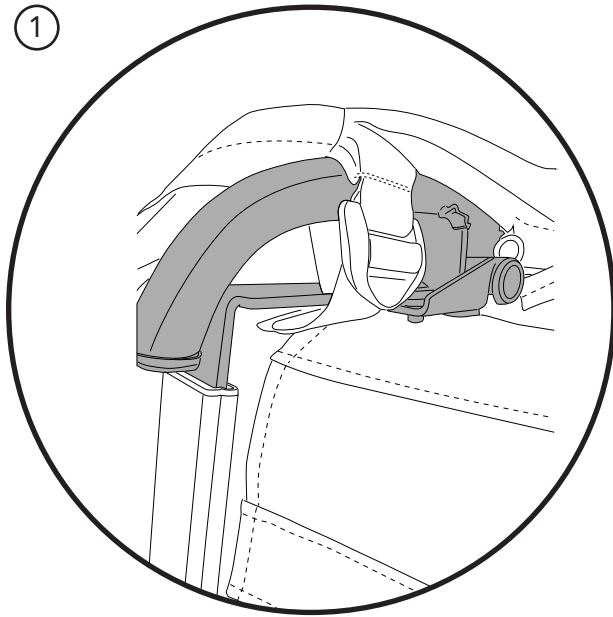


Tuck the plastic tabs along the left and right edges of the Duster underneath the Jeep belt rail, working from back to front. Make sure to tuck the straight tabs as well as the semi-circular tabs under the belt rail.

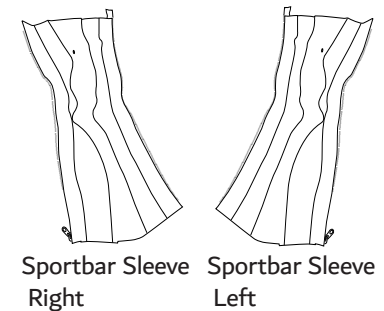
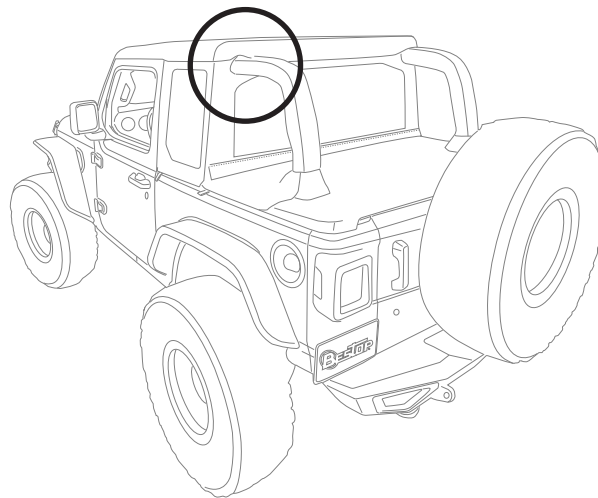
Tuck the plastic tabs at the rear corners under the belt rail. Next, Tuck all side plastic tabs under the belt rail, from back to front.

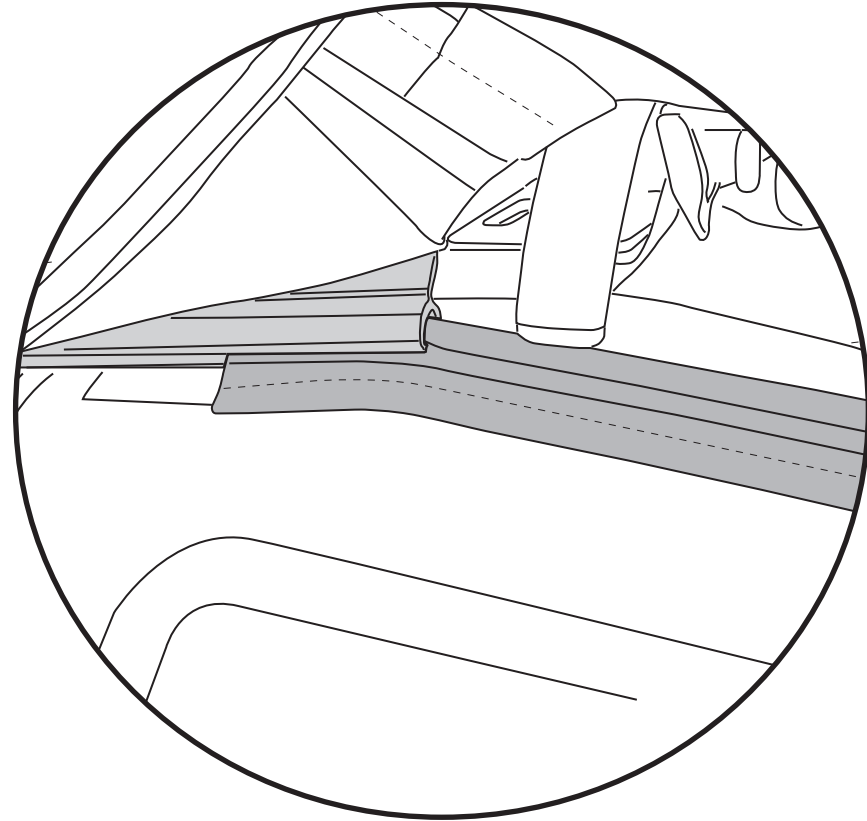
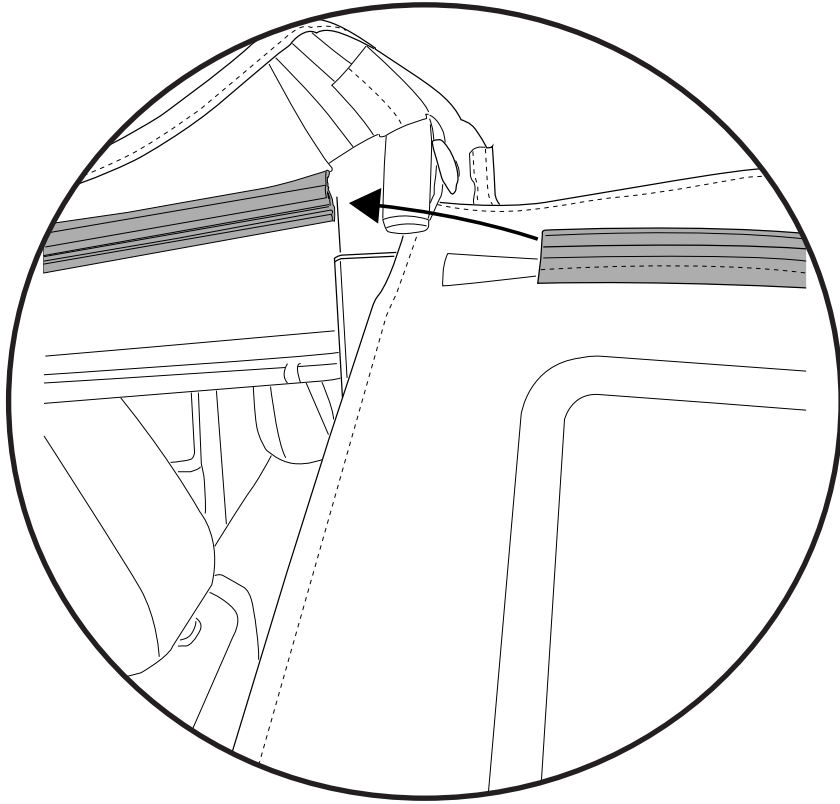


- ① Wrap the hook-&-loop sleeves around the sport bar downtubes, and attach hook-&-loop strips together snugly.
- ② Press the Hook and Loop together along the side of the Duster cover

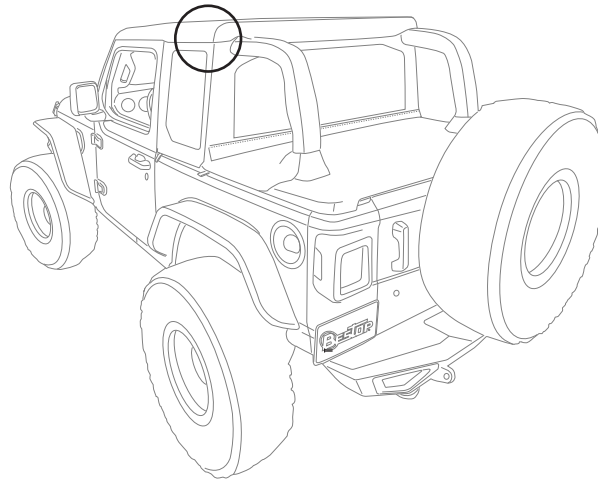


- ① Lift the #3 Bow slightly then push the Sportbar Sleeve between the sportbar and the #3 Bow.
- ② Align the slit in the Sleeve with the Nut insert in the top of the sport bar.
- ③ Wrap the Sportbar Sleeve around the Sportbar and let the bottom of the Sportbar Sleeve over the collar located on the Duster.
- ④ Start the zipper from the bottom (By Collar).



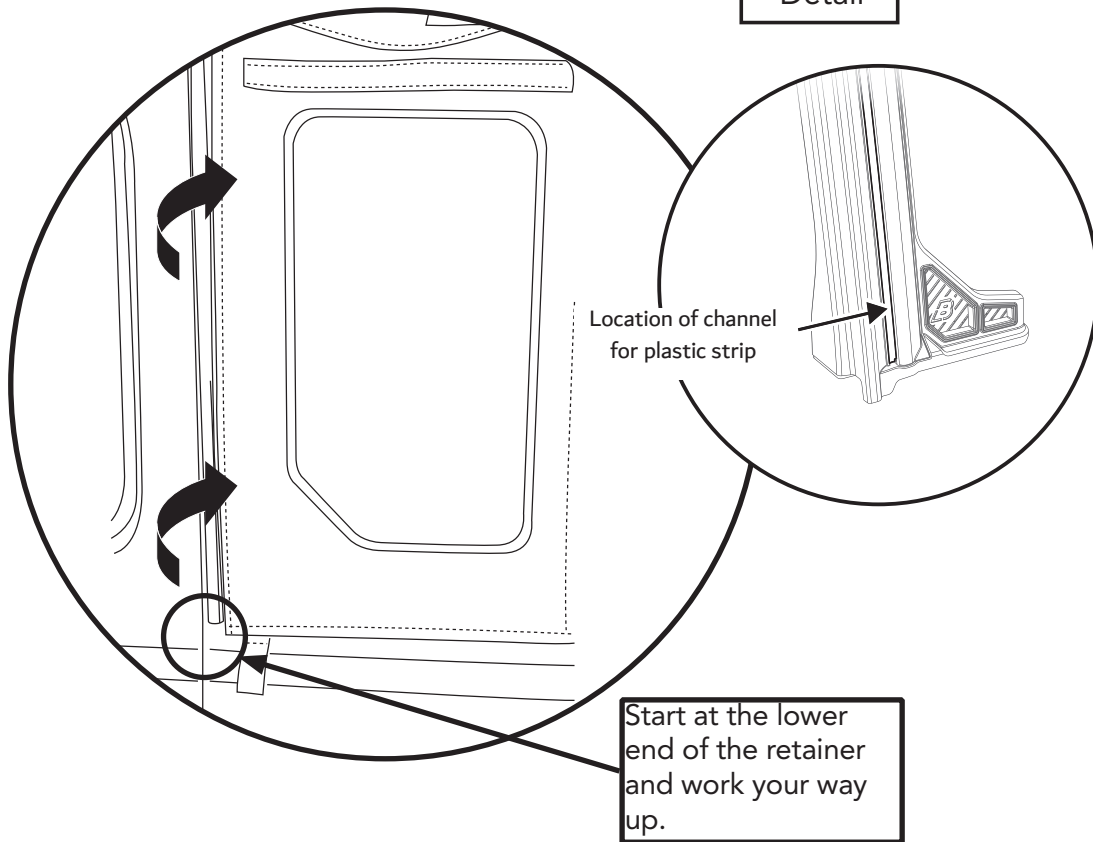


Slide the soft extrusion (On Top of the Side Panel) into the plastic "C" channel (Located on the top Side).





Detail

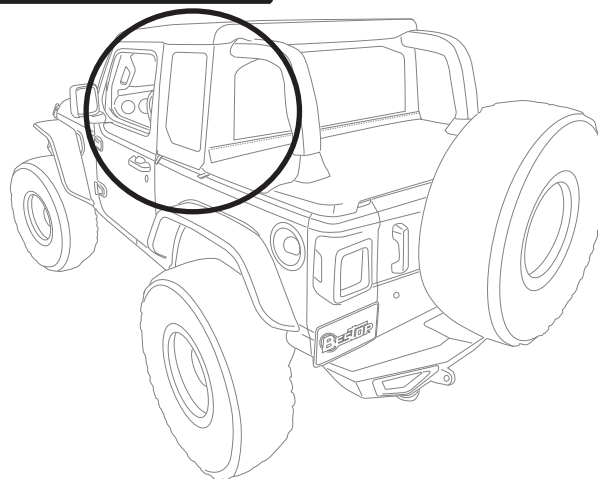


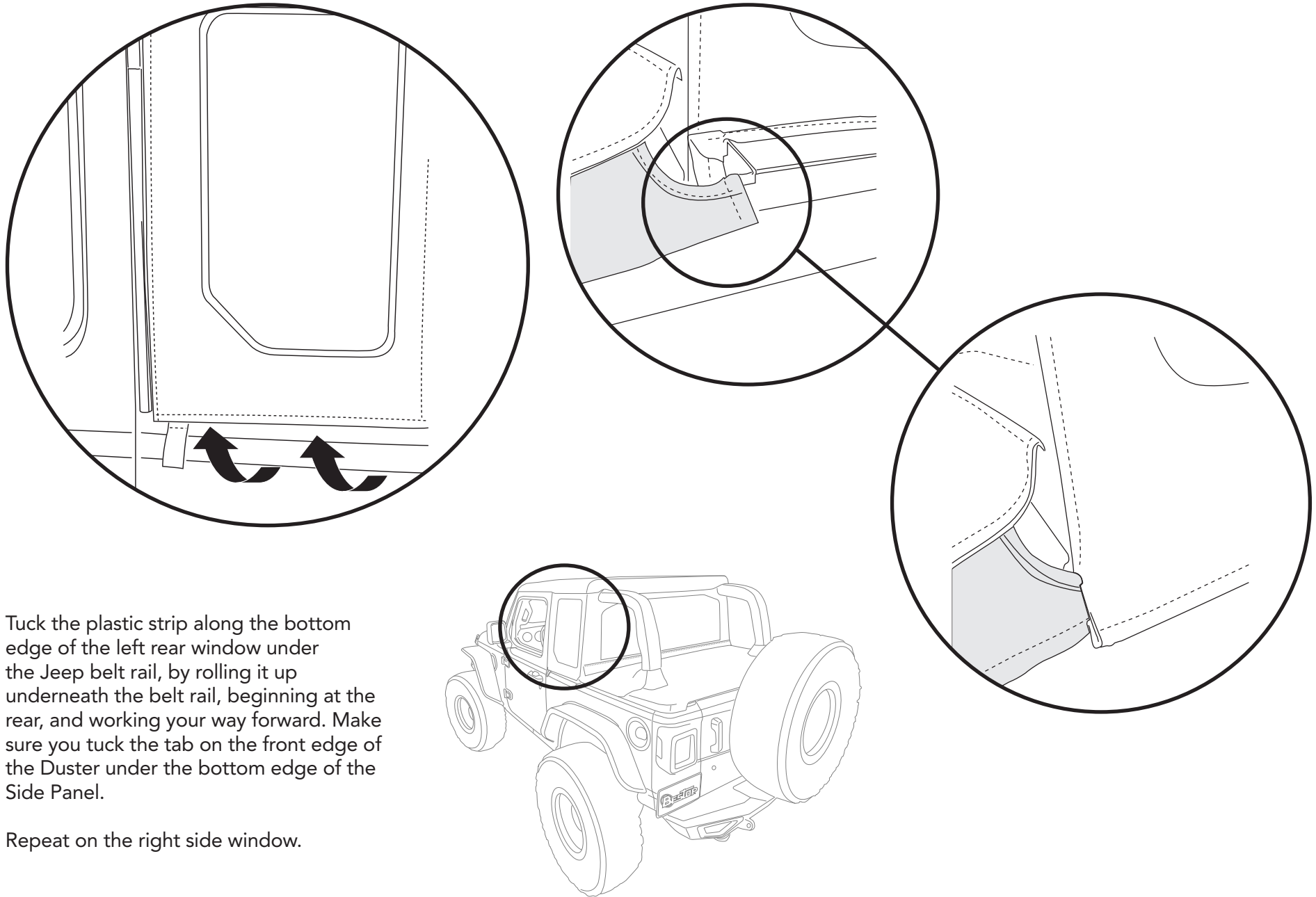
Location of channel for plastic strip

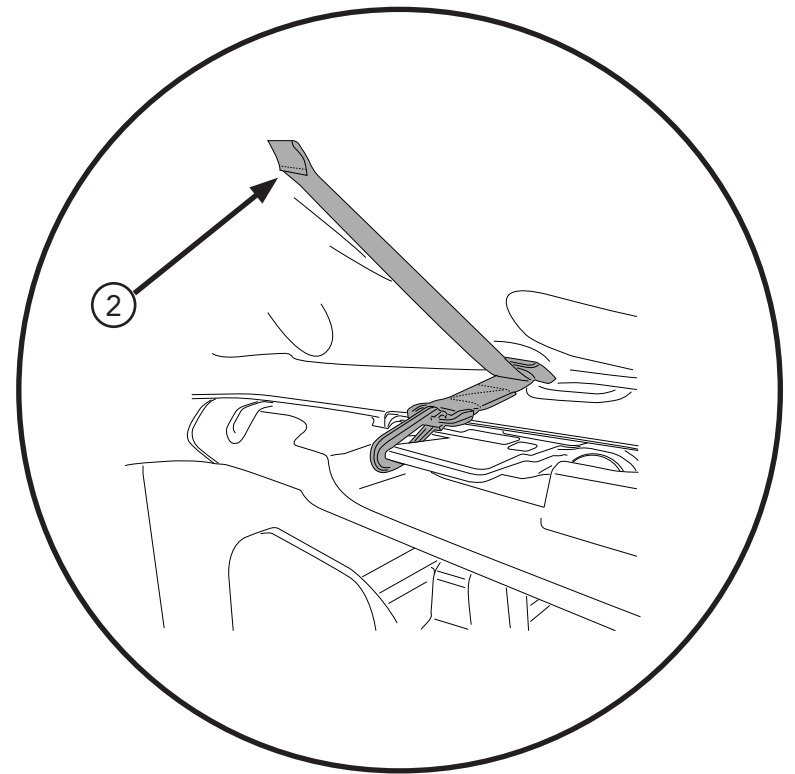
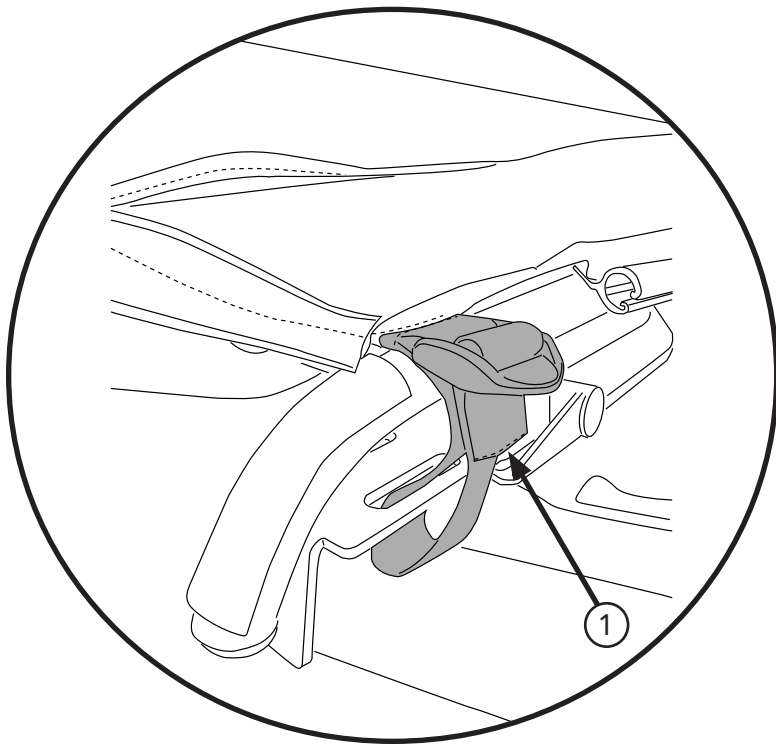
Start at the lower end of the retainer and work your way up.

Locate the the sewn-in plastic strip along the front edge of the left side window. Tuck this plastic strip into the vertical channel along the outside face of the left Rear Door Rail.

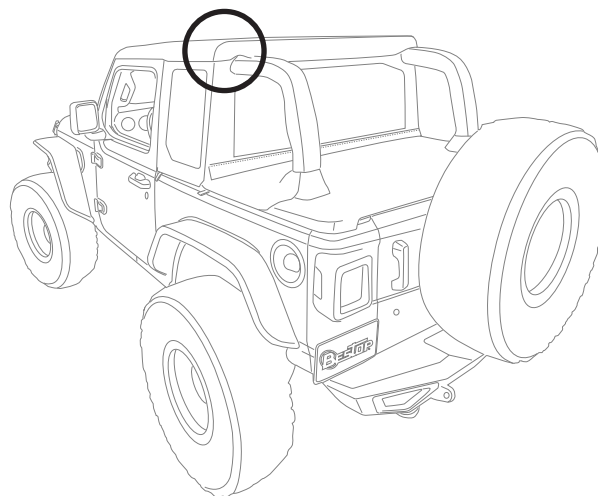
See Detail for location of the correct channel.

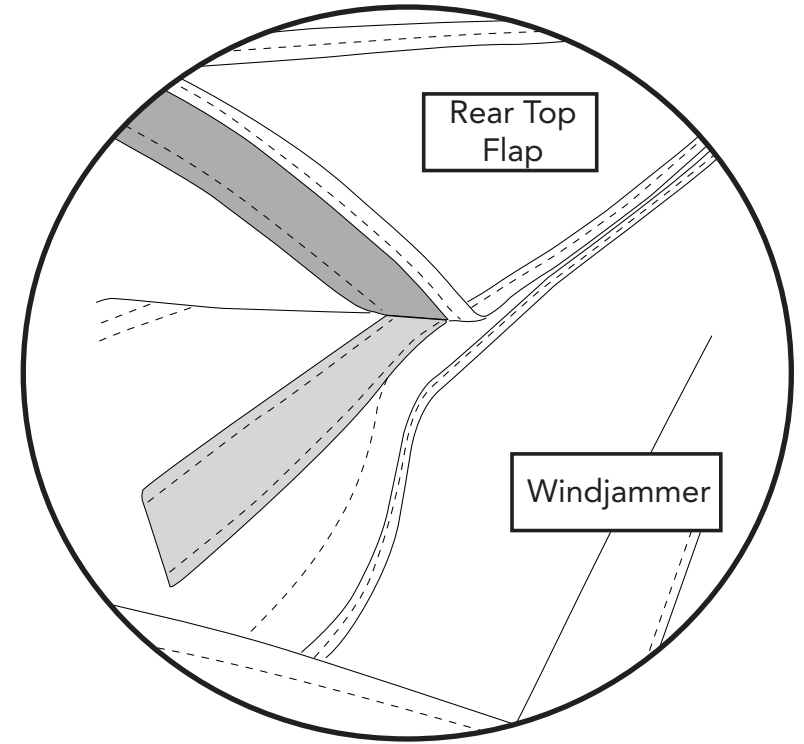
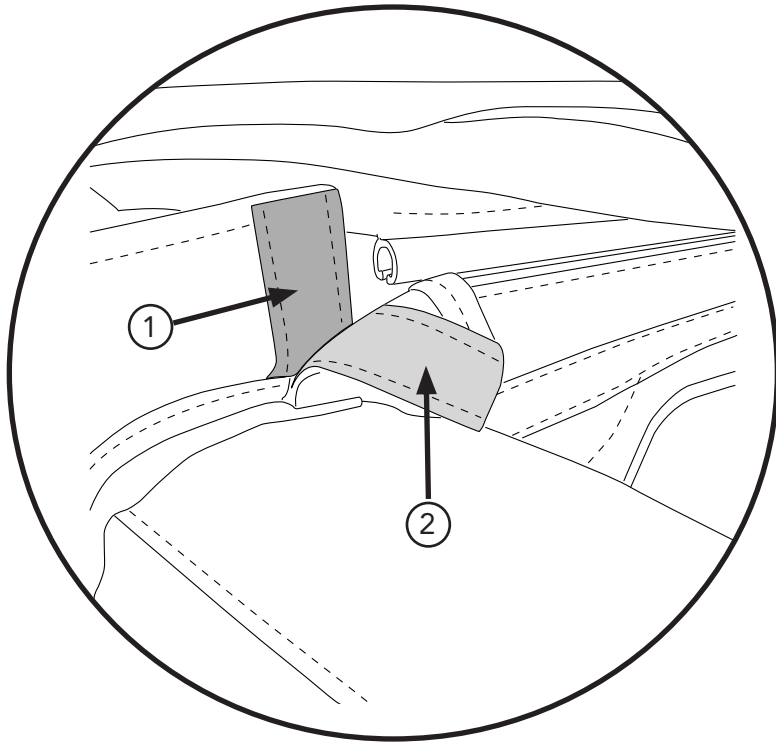




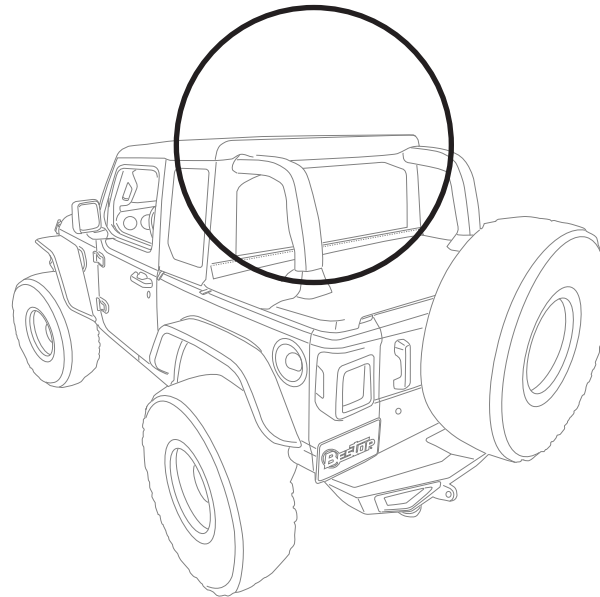


- ① Tighten the Top Corner Straps.
- ② Tighten the Center Hook Straps.

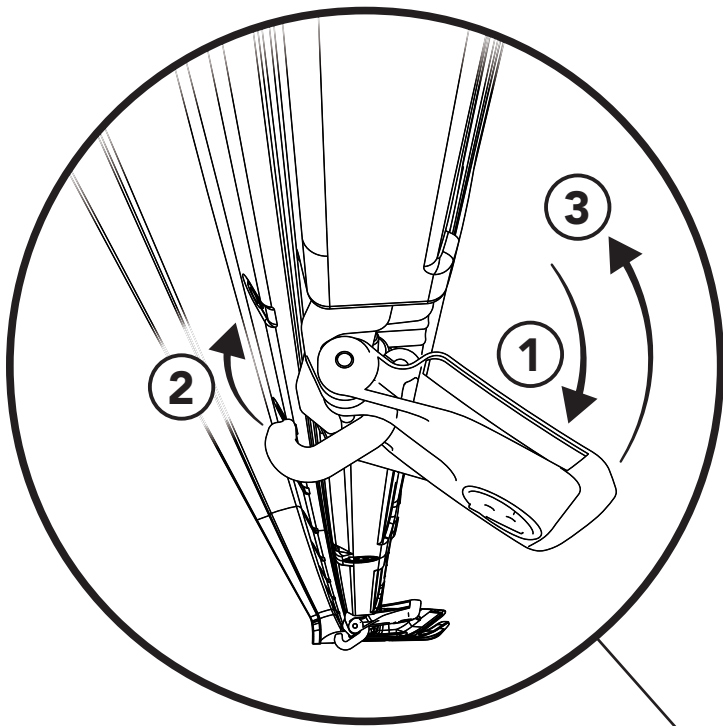




- ① Pull the outside flap over the Sportbar.
- ② Pull the inside flap over the Sportbar and attach the Hook (Inside Flap) onto the Loop (Outside Flap).

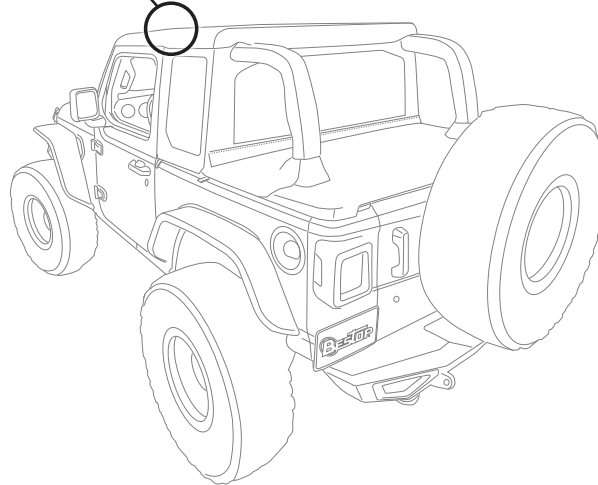


Attach the lower edge of the Rear Top Flap "Hook" to the "Loop" located above the rear window on the Windjammer.



Fold the Sunrider closed and secure both latches to the vehicle's windshield header.

- ① Pivot the latch handle down;
- ② Engage the hook;
- ③ Pivot the latch handle back up.





## Warranty Information Trek Top Halftop 2-Door

Vehicle Application:  
Jeep® Wrangler 2-Door JL 2018-Current  
Part Number 53903

### WHAT BESTOP WARRANTS

Subject to the terms and conditions of sale, including any terms and conditions set forth by Bestop, Inc. (“Bestop” or “us” or “we”) in our then-current terms of sale on our website (collectively, the “Terms”), Bestop represents and warrants that: the covered products listed in the “Covered Products and Warranty Periods” section (a “Product”) will substantially be free from defects in materials and workmanship for the specified warranty periods set forth in that section.

### THE WARRANTY IS LIMITED AND CONDITIONAL

This warranty applies to the original purchaser of the Product only. The warranty is valid only as long as the original retail purchaser owns the vehicle upon which the Product is installed. The warranty expires should the Product be removed from the original vehicle or if the original vehicle is transferred to another owner.

This warranty is not transferable or assignable. The warranty does not apply to Product bought from auction-style or price-bid websites.

THE LIMITED WARRANTY AND STATED REMEDIES ARE SOLE AND EXCLUSIVE AND IN LIEU OF ALL OTHER WARRANTIES AND REMEDIES, AND COMPANY EXPRESSLY DISCLAIMS ALL IMPLIED OR STATUTORY OR OTHER WARRANTIES, INCLUDING WITHOUT LIMITATIONS WARRANTIES OF MERCHANTABILITY, NON-INFRINGEMENT OR FITNESS FOR A PARTICULAR PURPOSE. IN NO EVENT WILL COMPANY BE LIABLE FOR ANY SPECIAL, INCIDENTAL, CONSEQUENTIAL, PUNITIVE, INDIRECT OR EXEMPLARY DAMAGES OF ANY KIND, INCLUDING LOST PROFITS OR REVENUE, HOWEVER CAUSED, WHETHER FOR BREACH OR REPUDIATION OF CONTRACT, TORT, BREACH OF WARRANTY, NEGLIGENCE, OR OTHERWISE, WHETHER OR NOT COMPANY WAS ADVISED OF THE POSSIBILITY OF SUCH LOSS OR DAMAGES.

*Some states do not allow exclusion or limitation, so this may not apply to you. This warranty gives you specific legal rights, and you may have other rights which vary from state to state.*

### EXCLUSIONS TO THE WARRANTY

The Limited Warranty excludes, and Bestop is not liable in any way for any warranty claims, damages, or defects related to:

- Misuse, abuse, accidents, vandalism, negligence, fire, or improper installation or modification, or improper or inadequate maintenance;
- Failure to comply with any Product documentation, Bestop instructions, or applicable law or regulations; use in extreme conditions
- Force Majeure including but not limited to, earthquake, hurricane, tornado, flooding, or other disasters natural or man-made, civil unrest, strikes, declared or undeclared war, or lack of performance by, or discontinued product of, supply chain partners whose products, software, operations or management is beyond the control of Bestop;
- Damage resulting in breakage (including without limitation, spontaneous breakage, accidental breakage or breakage by any other means) of a Product or any component part;
- Damage to vinyl windows due to misuse, or cracking due to varying weather conditions.

### YOUR SOLE REMEDY

During the applicable warranty period, Bestop shall, at its option, either repair or replace any Product that it confirms, in its discretion, is non-compliant with the warranties herein. Bestop will not pay for labor charges associated with installation or removal of the Product. Should a specific Product be discontinued, Bestop may, at its option, replace the discontinued Product with a current product or like product.

Please retain your proof of purchase. Original proof of purchase for the Product must accompany any warranty claim. If you have a warranty claim, first you must email Bestop Customer Service at [csbestop@bestop.com](mailto:csbestop@bestop.com) for instructions. All claims must be emailed to [csbestop@bestop.com](mailto:csbestop@bestop.com) within 30 days of discovery of a defective Product, but in no event later than thirty days after the end of the applicable Warranty Period (the “Warranty Notice Period”). Warranty claims made after the Warranty Notice Period are null and void and Bestop shall have no responsibility with respect to such claims.

THIS SECTION SETS FORTH BESTOP’S SOLE OBLIGATION & YOUR SOLE REMEDY WITH RESPECT TO ANY DEFECTS OR OTHER PRODUCT ISSUE. ANY PRODUCTS REPLACED UNDER TERMS OF THIS WARRANTY WILL BE COVERED UNDER TERMS & BALANCE OF THE DURATION OF THE ORIGINAL LIMITED WARRANTY FOR SUCH PRODUCT.



## Warranty Information Trek Top Halftop 2-Door

Vehicle Application:  
Jeep® Wrangler 2-Door JL 2018-Current  
Part Number 53903

**COVERED PRODUCTS AND WARRANTY PERIODS:** The warranty time periods are as follows for Products manufactured by Bestop:

### **BESTOP® LIMITED LIFETIME WARRANTY**

Trektop® Pro Twill Fabric Top Sunrider® for Hardtop Twill Fabric Top  
Trektop® NX Glide Twill Fabric Top Replace-a-Top™ Twill Fabric Top  
Trektop® NX Twill Fabric Top Supertop® NX Twill Fabric Top  
EZFold™ Soft Tonneaus Floor & Cargo Liners  
ZipRail™ Soft Tonneaus Pet Barriers  
EZRoll™ Soft Tonneaus

### **BESTOP® 5-YEAR LIMITED WARRANTY**

Trektop® NX Glide™ Top (non-Twill) Sunrider® for Hardtop (non-Twill) Replace-a-Top™ Top (non-Twill) Trektop® NX Top (non-Twill)  
Sailcloth Replace-a-Top™ Supertop® NX Top (non-Twill)  
Tigertop™ and Halftop™ Supertop® Classic Soft Top Sunrider® Complete Soft Top Supertop® for Truck  
EZ Fold Hard Tonneau

### **BESTOP® 3-YEAR/100K MILES LIMITED WARRANTY**

Powerboard® & Powerboard® NX  
Trekstep®, Side Mount  
Trekstep®, Rear Mount

### **BESTOP® 3-YEAR LIMITED WARRANTY**

Pavement Ends Sprint Top

### **BESTOP® 2-YEAR LIMITED WARRANTY**

Trektop® Classic Soft Top  
RoughRider™ Soft Storage

### **BESTOP® 1-YEAR LIMITED WARRANTY**

All other Bestop® & Pavement Ends™ products not specified above.

**For further information or request for warranty work, please contact:**

**Bestop Inc. Customer Service**

**Toll-Free: (800)845-3567**

**E-mail: [customerservice@Bestop.com](mailto:customerservice@Bestop.com)**

**Website: [www.Bestop.com](http://www.Bestop.com)**