



# Installation Instructions Trektop Pro

Vehicle Application:  
Jeep® Wrangler JK (2 Door) 2007-2017  
Part Number 54862

## Installation Tips

Before you begin installing your new Trektop Pro, please read all the instructions thoroughly, and watch the Bestop Installation video. (See Support section on this page)

For a Smooth fit and easier installation, the top should,be installed at a temperature above 72°F. Below this temperature, the fabric may contract an inch or more, making it difficult to fit to the vehicle.

It is normal for the fabric to contract and wrinkle when stored in the shipping carton. Within a few days after installation, the fabric will relax and the wrinkles will disappear.



### WARNING

Do not rely in any way on the components of this product to protect against injury or death in the event of an accident. Never operate the vehicle in excess of manufacturer's specifications.

Read and follow, precisely, all installation instructions provided when installing this product.


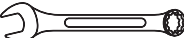








Failure to do so may result in a poor fit and could place occupants of the vehicle in a potentially dangerous situation.



### CAUTION

Safety glasses should be worn at all times when installing this product.

**WEAR SEAT BELTS AT ALL TIMES**

Tools				Installation Time	Support
 #2 Phillips Screwdriver	 10mm, 13mm & 3/8" Wrenches	 Ratchet	 13mm Socket	 <b>4 hours</b>	We're here to help! Go to <a href="http://www.Bestop.com">www.Bestop.com</a> and click on "Need Help?"
 T40 Torx Driver	 Flat Blade Screwdriver	 Safety Glasses	 3mm & 4mm Allen Wrenches	<b>Skill Level</b>  <b>3 - Moderately Difficult</b>	



## Installation Instructions Trektop Pro

Vehicle Application:  
Jeep® Wrangler JK (2 Door) 2007-2017  
Part Number 54862

### Sugerencias de Instalación

**Antes de empezar a instalar esta unidad, lea atentamente todas las instrucciones.**

**Para un buen ajuste:**

Para facilitar la instalación, el producto debe instalarse a temperaturas superiores a 72 °F (22 °C).

Por debajo de esta temperatura, la tela puede encogerse una pulgada o más, lo que dificultaría su ajuste al vehículo.

Es normal que la tela se contraiga o arrugue cuando está guardada en la caja de empaque. A los pocos días después de la instalación, la tela se relajará y las arrugas desaparecerán.



#### ADVERTENCIA

Este producto se diseñó principalmente para mejorar la apariencia del vehículo y proteger a los ocupantes de las condiciones climáticas comunes. De ninguna manera piense que los componentes de este producto pueden servir como medio de contención para los ocupantes del vehículo o que pueden protegerlos contra lesiones o la muerte en caso de accidente. Este producto no protegerá a los ocupantes contra caídas de objetos. Nunca conduzca este vehículo fuera de las especificaciones del fabricante.

#### USE LOS CINTURONES DE SEGURIDAD EN TODO MOMENTO

Lea y siga con precisión todas las instrucciones de instalación que se proporcionan para instalar este producto. Si no lo hace, podría producirse un mal ajuste que colocaría a los ocupantes del vehículo en una situación potencialmente peligrosa.



#### PRECAUCIÓN

Debe usar gafas protectoras en todo momento durante la instalación de este producto.

### Conseils pour l'installation

**Lire toutes les instructions au complet avant de commencer l'installation de cet assemblage.**

**Pour un ajustement sans problème :**

Afin de faciliter l'installation, ce produit doit être installé à des températures au-dessus de 72 °F (22 °C).

Sous cette température, le tissu peut rétrécir d'un pouce (2,5 cm) ou plus, ce qui rendra l'ajustement sur le véhicule difficile.

Il est normal que le tissu rétrécisse et plisse pendant qu'il est dans la boîte d'expédition. En quelques jours après l'installation, le tissu se détendra et les plis disparaîtront.



#### AVERTISSEMENT

Ce produit est conçu principalement pour améliorer l'apparence du véhicule et pour protéger les occupants des conditions météorologiques usuelles. Ne jamais se fier aux composants de ce produit pour se protéger de blessures ou de la mort en cas d'accident. Ce produit ne protégera pas les occupants des chutes d'objets. Ne jamais utiliser le véhicule au-delà des caractéristiques techniques indiquées par le fabricant.

#### PORTER UNE CEINTURE DE SÉCURITÉ EN TOUT TEMPS

Lire et suivre, très fidèlement, toutes les instructions d'installation fournies lors de l'installation de ce produit. Ne pas suivre cette consigne peut causer une installation inadéquate et mettre les occupants du véhicule dans une situation potentiellement dangereuse.



#### MISE EN GARDE

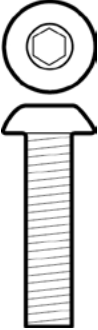
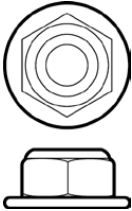
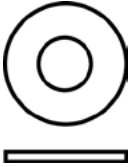

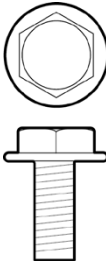
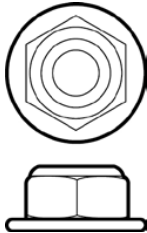
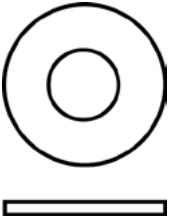

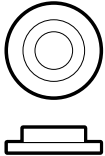
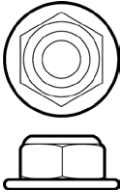



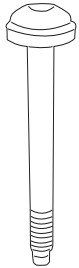
Des lunettes de sécurité doivent être portées en tout temps lors de l'installation de ce produit.



# Installation Instructions Trektop Pro

Vehicle Application:  
Jeep® Wrangler JK (2 Door) 2007-2017  
Part Number 54862

## Parts List

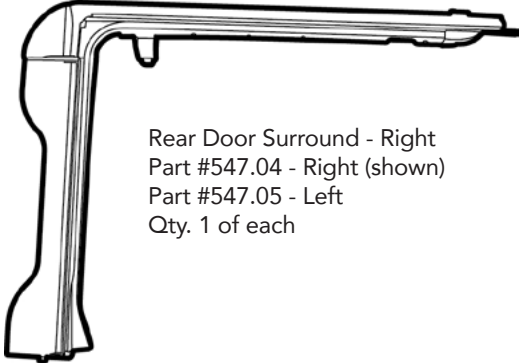
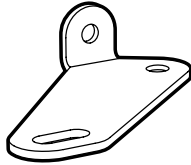
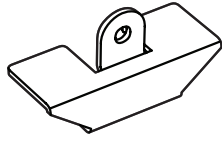
All Sections		Hardware and Fasteners				
						
M6 x 25mm Screw Part #431.62 Qty. 12	M6 Nylon Lock Nut Part #494.01 Qty. 20	M6 Flat Washer Part #257.93 Qty. 20	M6 x 14mm Screw Part #517.63 Qty. 8	M8 x 20mm Screw Part #493.96 Qty. 2	M8 Lock Nut Part #434.12 Qty. 2	M8 Flat Washer Part #433.98 Qty. 4
						
M5 x 35mm Screw Part #514.62 Qty. 2	Plastic Bushing Part #473.40 Qty. 4	M5 Nylon Lock Nut Part #526.76 Qty. 2	M5 Flat Washer Part #575.27 Qty. 2	#10-32 Machine Screw Part #316.82 Qty. 4	#10-32 Nylon Lock Nut Part #316.94 Qty. 4	M8 x 80mm Screw Part #532.23 Qty. 4

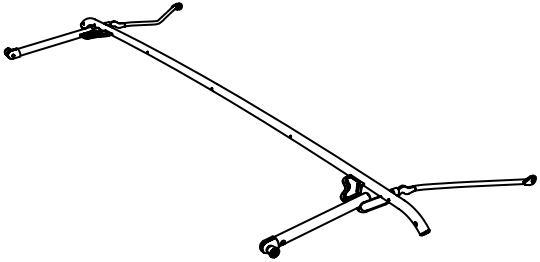
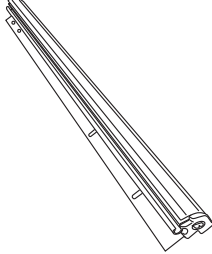
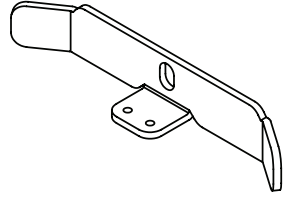
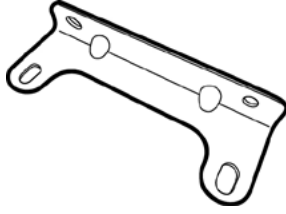


# Installation Instructions Trektop Pro

Vehicle Application:  
Jeep® Wrangler JK (2 Door) 2007-2017  
Part Number 54862

## Parts List

 <p>Rear Door Surround - Right Part #547.04 - Right (shown) Part #547.05 - Left Qty. 1 of each</p>	 <p>#2 Bow Pivot Bracket #541.88 - Right (shown) #541.87 - Left Qty. 1 per side</p>	 <p>Sunrider Pivot Bracket Part #545.74 Qty. 2</p>
---	--	---


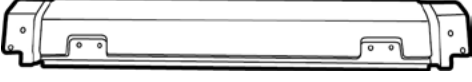


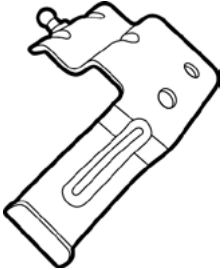
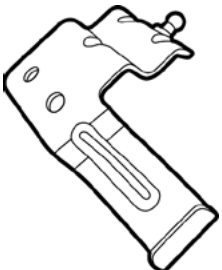
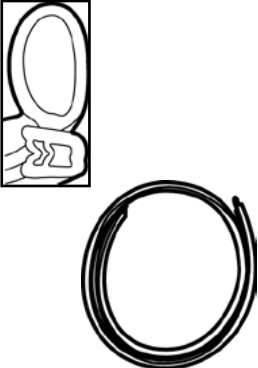

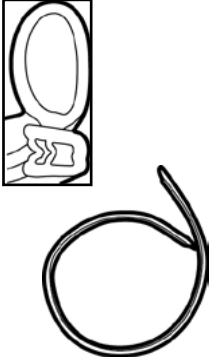
 <p>#2 Bow Assembly Part #541.18 Qty. 1</p>	 <p>Window Carrier - Right Part #509.88 - Right (shown) Part # 509.89 - Left Qty. 1 of each</p>	 <p>Cable Bracket Part #572.03 Qty. 2</p>	 <p>Rear Bracket Part #509.72 Qty. 2</p>
--	---	--	---



# Installation Instructions Trektop Pro

Vehicle Application:  
Jeep® Wrangler JK (2 Door) 2007-2017  
Part Number 54862

## Parts List





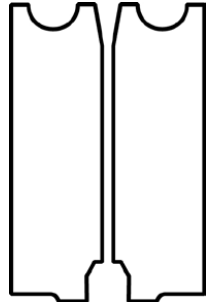
 <p>Halo Frame Part #509.82 Qty. 1</p>	 <p>Halo Center Part #509.80 Qty. 1</p>	 <p>Halo - Left Part #509.77 Qty. 1</p>	 <p>Halo - Right Part #509.76 Qty. 1</p>	
 <p>Strut Bracket - Right Part #509.64 Qty. 1</p>	 <p>Strut Bracket - Left Part #509.63 Qty. 1</p>	 <p>Halo Seal (Long) Part #510.17 Qty. 1</p>	 <p>Strut Part #510.16 Qty. 2</p>	 <p>Rear Seal (Short) Part #511.87 Qty. 1</p>





# Installation Instructions Trektop Pro

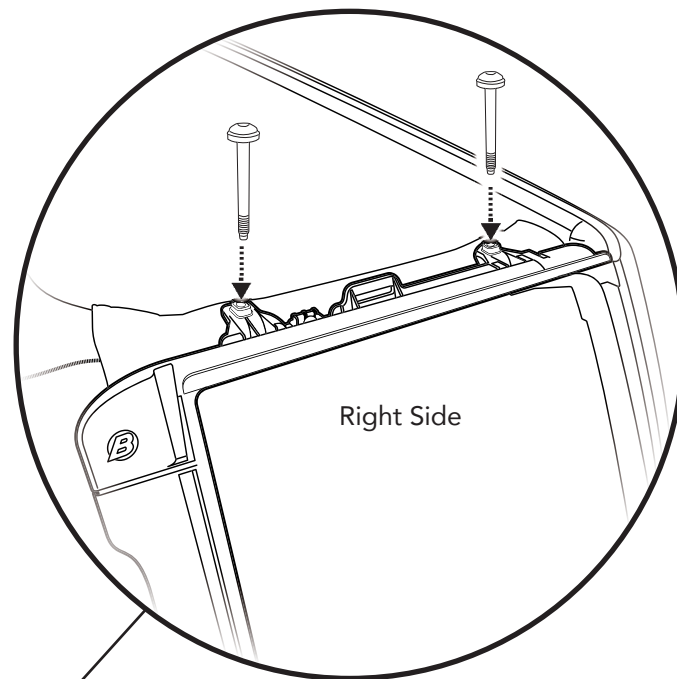
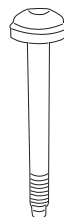
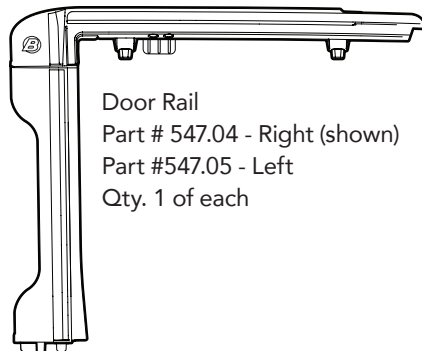
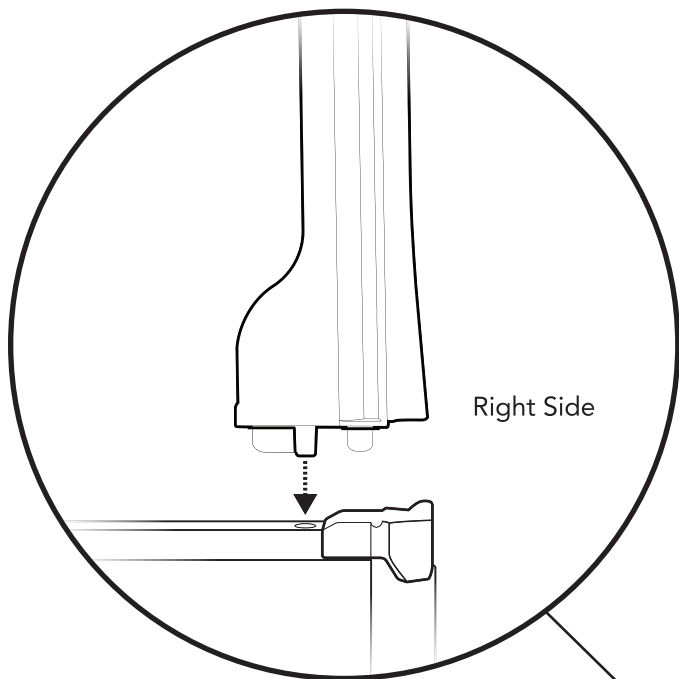
Vehicle Application:  
Jeep® Wrangler JK (2 Door) 2007-2017  
Part Number 54862

## Parts List

 <p>Upper TG Panel Seal Part #514.04 Qty. 2</p>	 <p>Lower TG Panel Seal Part #514.05 Qty. 2</p>	 <p>Rear Arch Bow Part #509.60 Qty. 1</p>	 <p>Foam Tape Strips Part #417.43 Qty. 2</p>	 <p>Foam Seals Part #457.76 (R) &amp; 457.77 (L) Qty. 1 per side</p>
--	--	---	---	---

 <p>Jumper Harness Part #510.18 Qty. 1</p>	 <p>Deck, Header Assembly &amp; Fabric Top Right Side Window Left Side Window Rear Window</p>
---	--

Step 1



Step 1

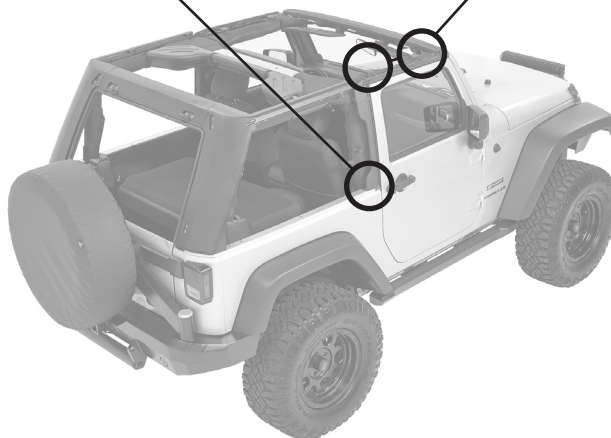
Open the passenger side Door.  
Insert the pin in the bottom of the Right Door Rail #547.04 into the hole in the belt rail behind the door opening. Press the channel along the top of the Door Rail around the horizontal sport bar.

Repeat on the left side of the vehicle.

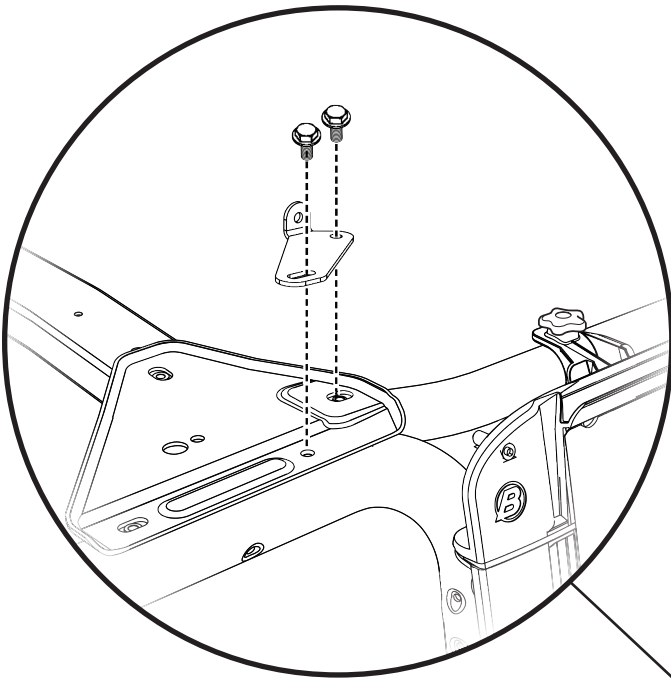
Step 2

Insert one (1) M8 x 80mm Screw #532.23 into each position on the Right Door Rail #547.04, and tighten to 55in/lbs (4.5ft/lbs).

Repeat on the left side of the vehicle, with the Left Door Rail #547.05.



**Step 1**



**Hardware**



#2 Bow Pivot Bracket  
#541.88 - Right (shown)  
#541.87 - Left  
Qty. 1 per side

**Tools**

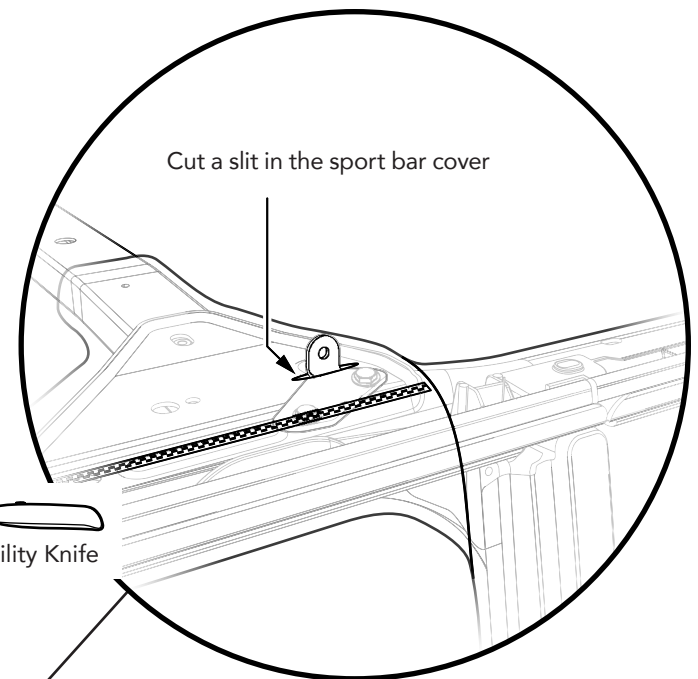


13mm Socket



Ratchet

**Step 2**



**Step 2**

Zip the sport bar cover closed.

Locate the vertical tab on the #2 Bow Pivot Bracket, and cut a slit in the cover to allow this tab to protrude through the cover.

Repeat on the both sides of the Jeep.

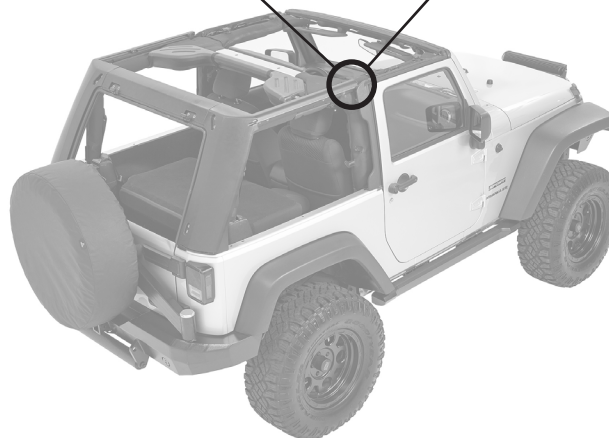
**Step 1**

Unzip the sport bar cover over the middle cross bar, to expose the sport bar corner plate, and two hex-head bolts.

Remove these two bolts on each side of the sport bar.

Attach the Right #2 Bow Pivot Bracket #541.88 to the right side sport bar plate using the two bolts you removed.

Repeat on the both sides of the Jeep.

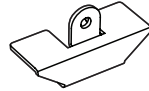
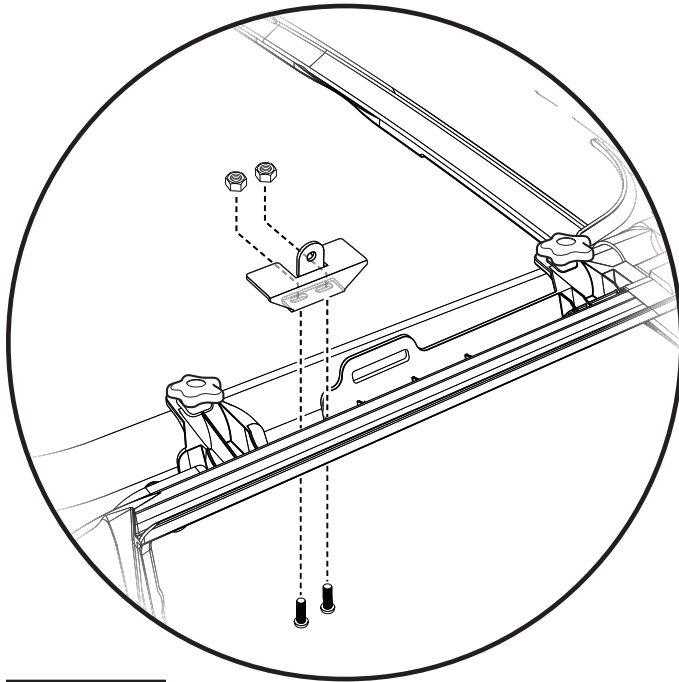




**Step 1**

**Hardware**

**Step 2**



Sunrider  
Pivot Bracket  
#545.74  
Qty. 2



#10-32  
Nylon Lock Nut  
Part #316.94  
Qty. 2 per side



#10-32  
Machine Screw  
Part #316.82  
Qty. 2 per side

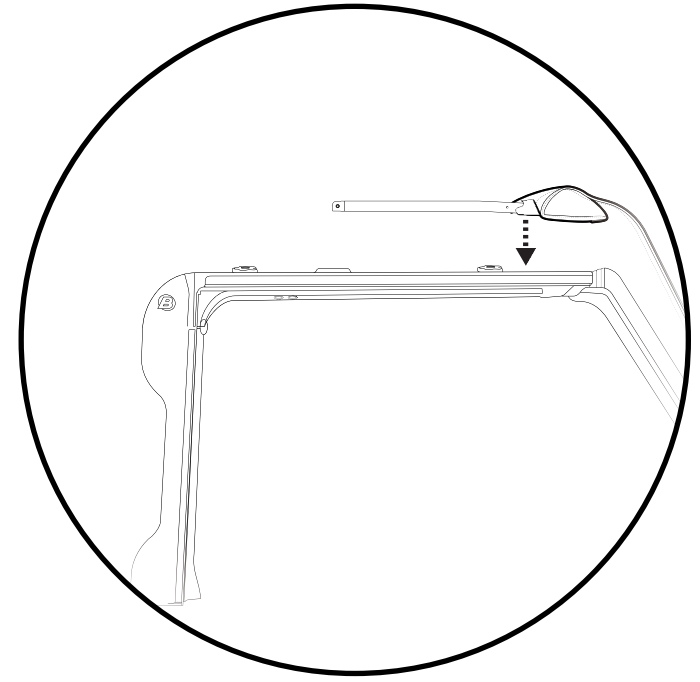
**Tools**



#2 Phillips  
Screwdriver



3/8" Wrench



**Step 1**

Attach the right Sunrider Pivot Bracket #545.74 to the Right Door Rail #479.82 using two (2) #316.82 Screws, and two (2) #316.94 Nylon Lock Nuts.

Repeat on the left side of the vehicle.

**Step 2**

Lift the Header/Side Bow Assembly onto the top of the Jeep, with the Header sitting on top of the the Jeep windshield, and the farbic draped forward over the Jeep hood.

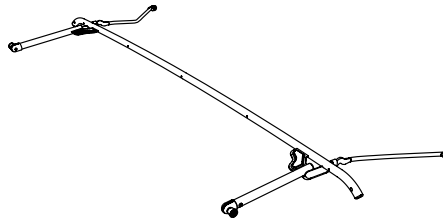
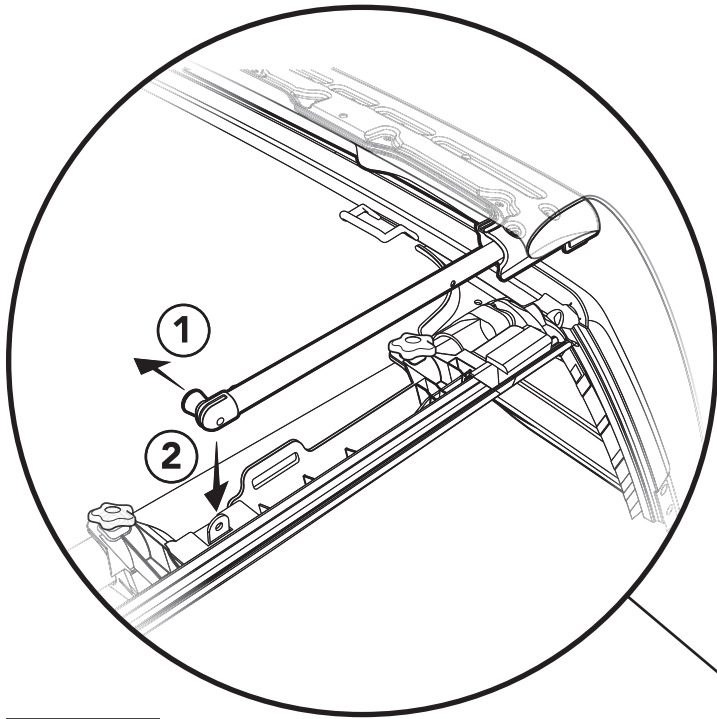
You may want to protect the finish of the Jeep by putting a blanket across the Jeep Hood.



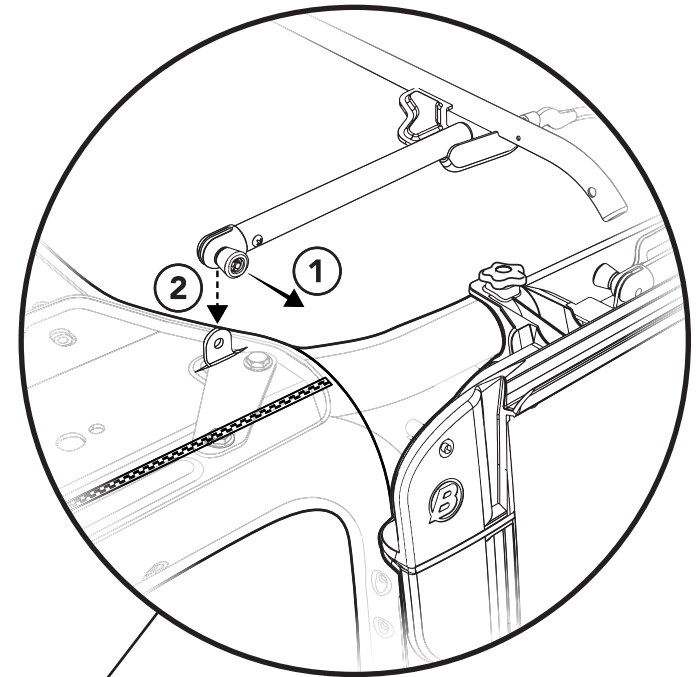
**Step 3**

**Hardware**

**Step 4**



#2 Bow Assembly  
#541.18  
Qty. 1



**Step 3**

Attach the right Side Bow to the Right Side Bow Pivot Bracket #545.74.

- ① Pull out on the spring catch release knob;
- ② Slide the slotted end of the Side Bow over the vertical tab on the Side Bow Pivot Bracket, and release the knob, making sure that the catch snaps into place on the Pivot Bracket tab.

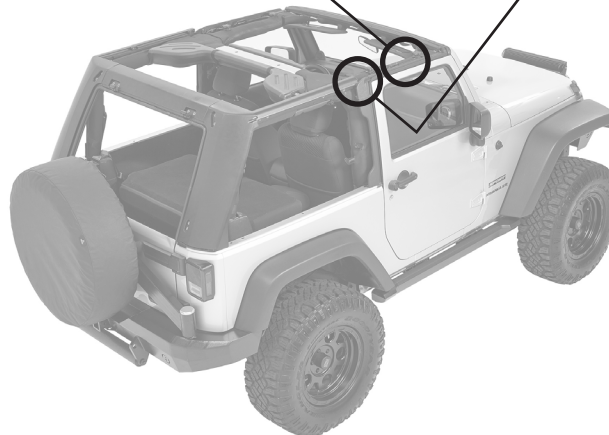
Repeat on the left side of the Jeep.

**Step 4**

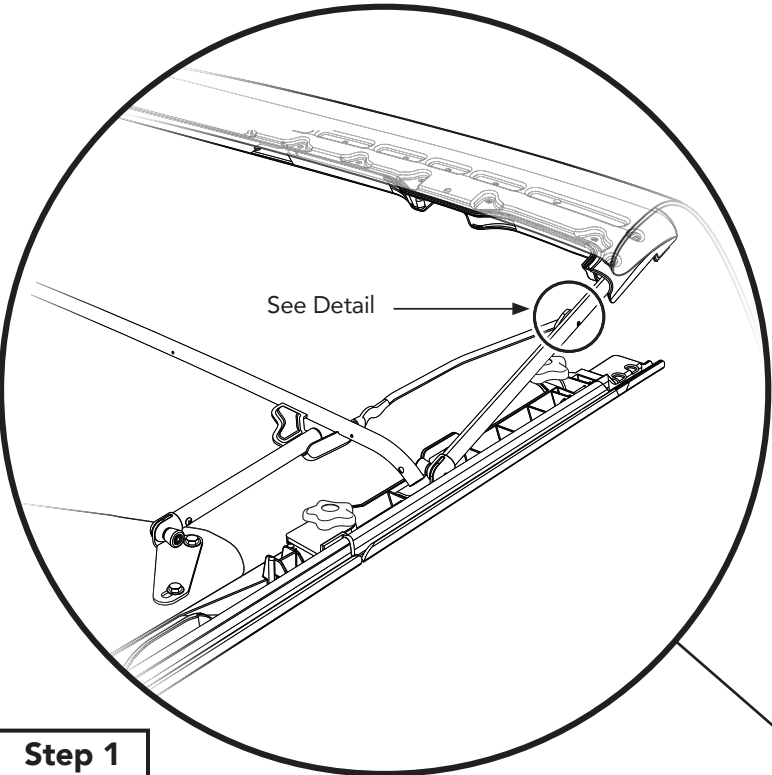
Attach #2 Bow #541.18 to the #2 Bow Pivot Brackets on each side of the Jeep.

- ① Pull out on the knob to release the spring-loaded catch on the #2 Bow rear legs;
- ② Slide the slotted end of the catch over the #2 Bow Pivot Bracket tab protruding from the sport bar cover.

Make sure that the spring catch snaps into place on each #2 Bow Pivot Bracket tab.



Step 1



Step 1





Lift the Header/ Side Bow up and locate the hole in the Side Bow near the Header.

Using this hole in the Side Bow, attach the #2 Bow to the Side Bow.

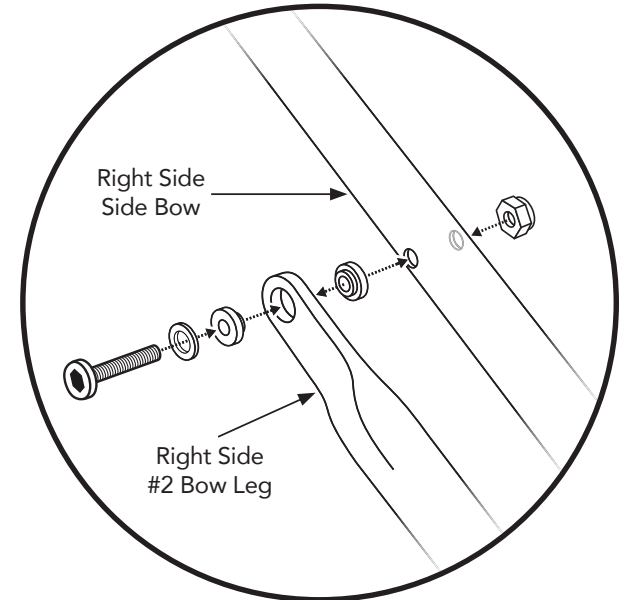
See detailed instructions.






Hardware

-  M5 x 35mm Screw #514.62 Qty. 2
-  Plastic Bushing #473.40 Qty. 4
-  M5 Nylon Lock Nut #308.62 Qty. 2
-  M5 Flat Washer Part #575.27 Qty. 2

Detail



Tools

-  3mm Allen Wrench
-  8mm Socket
-  Ratchet

Detail

Secure the #2 Bow to the right Side Bow using one (1) 5x35mm Machine Screw #514.62, two (2) Plastic Bushings #473.40, one (1) M5 Flat Washer #575.27, and one (1) Nylon Lock Nut #308.62.

The Plastic Bushings go on both sides of the flat portion of the #2 Bow.

The flat washer goes between the screw and the plastic bushing.

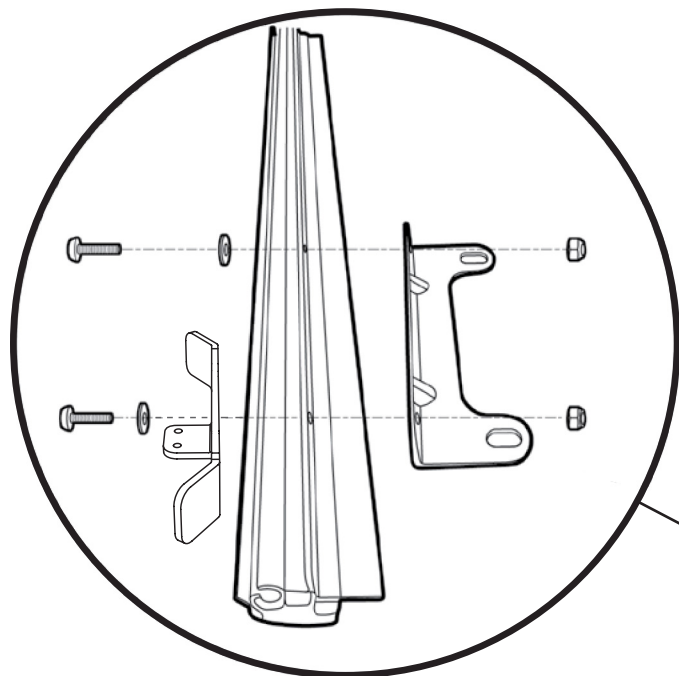
The Nylon Lock Nut goes on the outboard side of the Side Bow.

Repeat on the left side of the Jeep.

**NOTE:** Do not overtighten, to avoid damaging the plastic bushings.

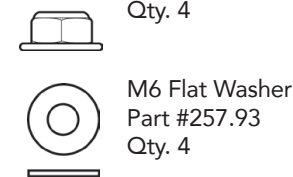
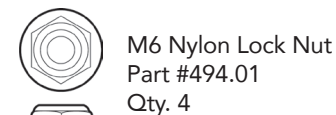
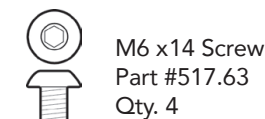
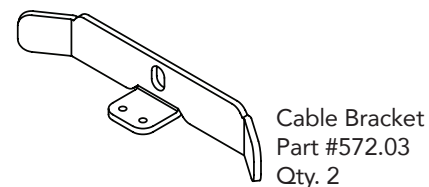
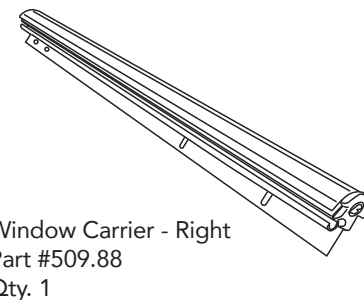
**Step 1**

**Hardware**



**Tools**

-  4mm Allen Wrench
-  10mm Wrench

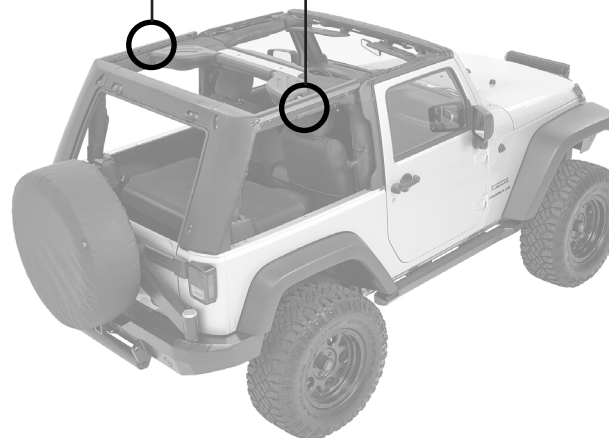


**Step 1**

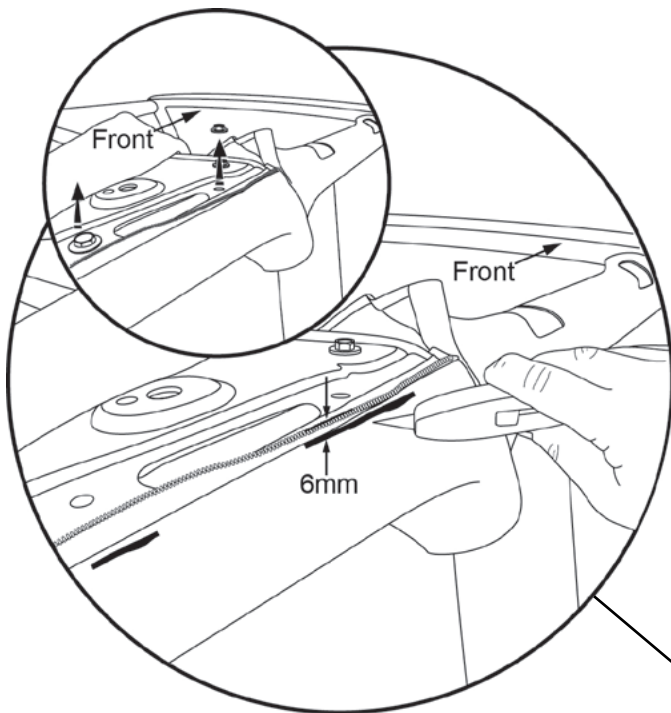
Install a Rear Bracket #509.72 and a Cable Bracket #572.03 onto each Window Carrier #509.88 & #509.89.

Attach the Brackets using the holes closest to the front of each Window Carrier (the side with the molded cap).

Install the M6 Screws #517.63 and Flat Washers #257.93 from the outside and the M6 Nylon Lock Nut #494.01 from the inside of the Window Carrier and tighten.



**Step 1**



**Step 1**

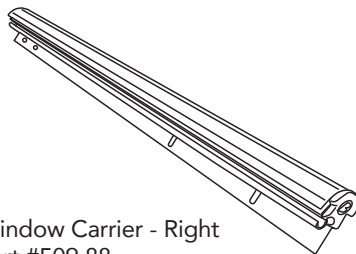
Unzip the upper rear sport bar cover and locate the upper sport bar bolts. Remove the two (2) bolts and set them aside to be reused.

Cut two (2) horizontal slits the same width as the tabs on the Rear Bracket in the sport bar cover 1/4" below the zipper and aligned with the bolt hole.

**Hardware**



Window Carrier - Left  
Part #509.89  
Qty. 1



Window Carrier - Right  
Part #509.88  
Qty. 1

**Tools**



Ratchet



13mm Socket



Utility Knife

**Step 2**

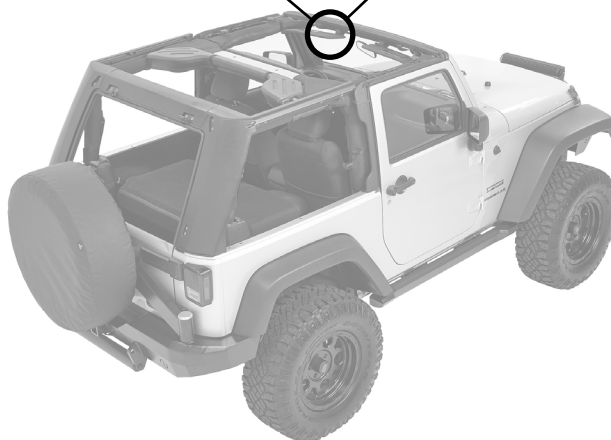


**Step 2**

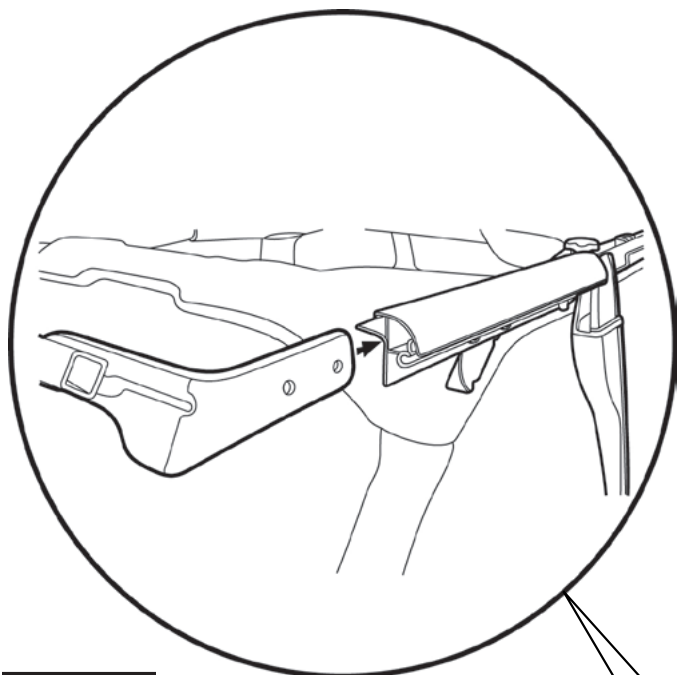
Orient each Window Carrier Assembly so the plastic cap with "B" logo is toward the front and the open end of the Carrier is toward the rear.

Use the bolts that were removed to mount each Window Carrier Assembly to the sport bar. Zip sport bar cover closed.

Repeat on both sides of the vehicle.



**Step 1**



**Step 1**

Attach the Halo Frame to the Window Carrier.

Repeat on both sides of the Jeep.

**Hardware**



Halo Frame  
Part # 509.82  
Qty.1



M6 x 14 Screw  
Part # 517.63  
Qty. 4



M6 Washer  
Part # 257.93  
Qty. 4



M6 Nylock Nut  
Part # 494.01  
Qty. 4

**Tools**

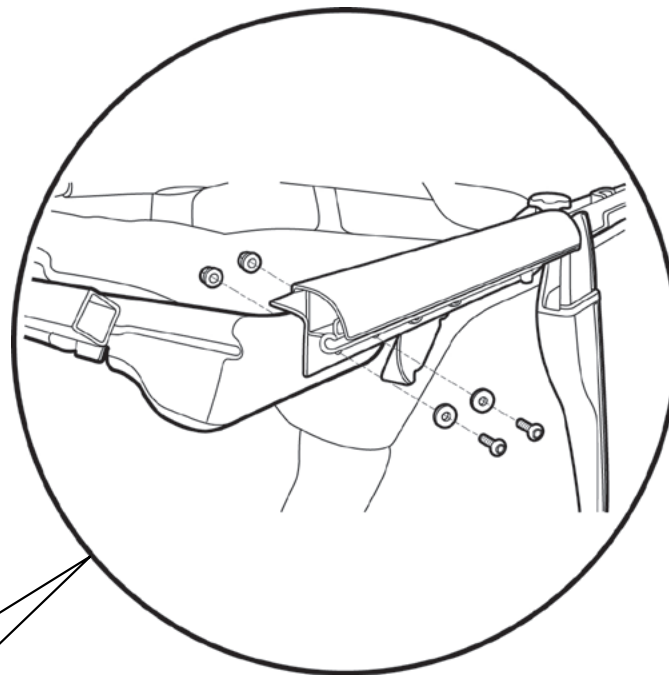


4mm Allen  
Wrench



10mm Wrench

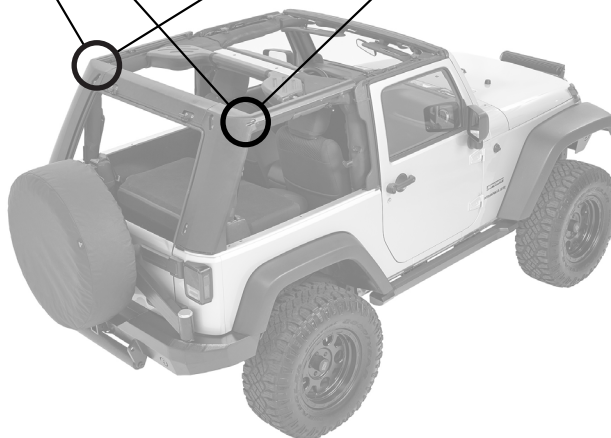
**Step 2**



**Step 2**

Secure the Halo Frame to the Window Carrier using two (2) M6 x 14 Screws #517.63 and two (2) M6 Washers #257.93 from the outside and two (2) M6 Nylock Nuts #494.01 from the inside.

Repeat on both sides of the Jeep.

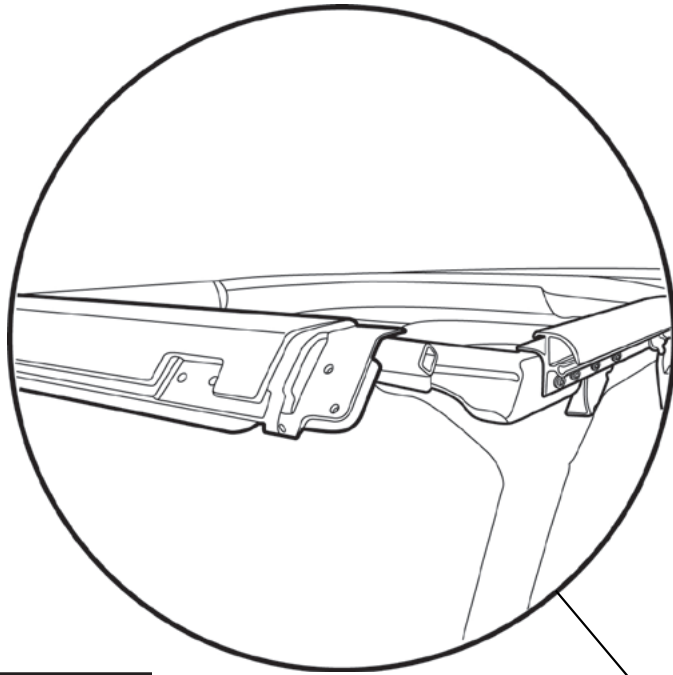


**Step 1**

**Hardware**

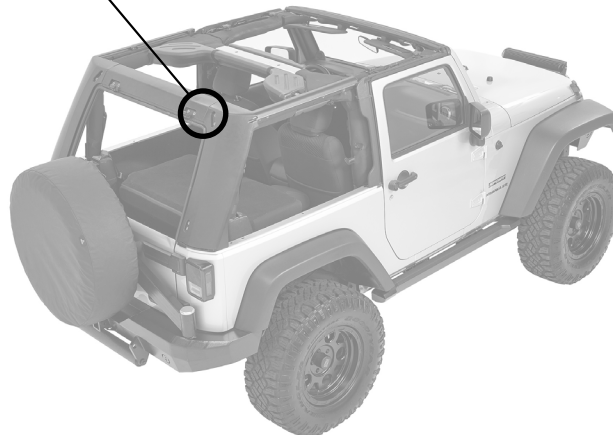


Halo Center  
Part # 509.80  
Qty. 1

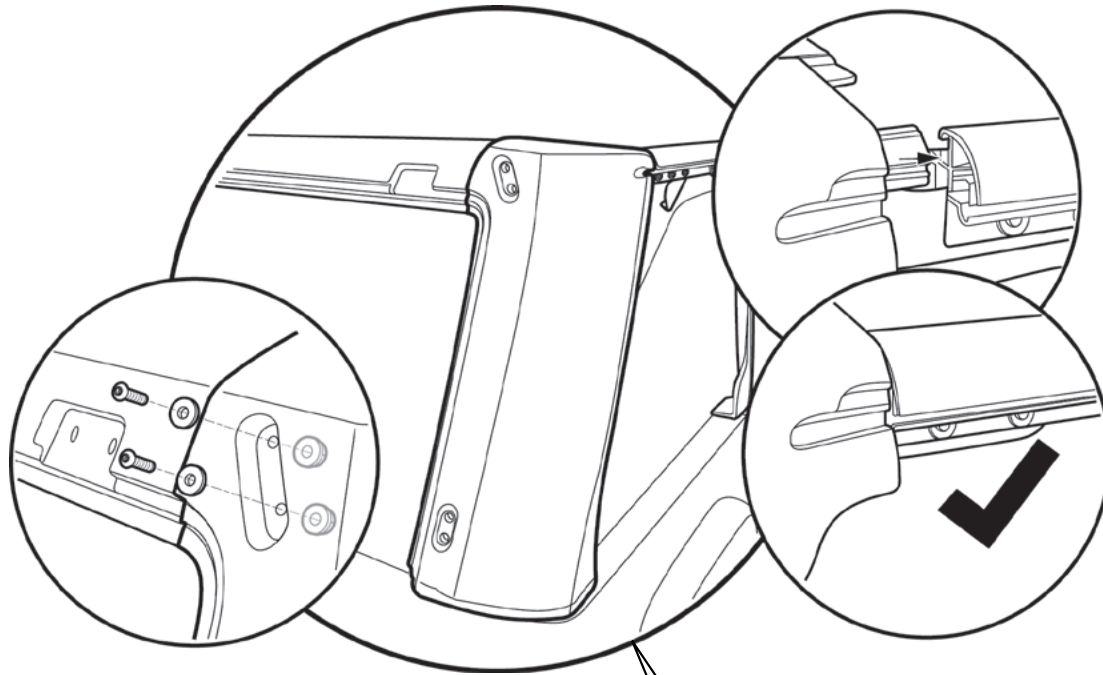


**Step 1**

Position the Halo Center on the Halo Frame.  
No fasteners required for this step.



**Step 1**



**Hardware**



Halo - Left  
Part # 509.77  
Qty. 1



Halo - right  
Part # 509.76  
Qty. 1



M6 Nylock Nut  
Part # 494.01  
Qty. 4



M6 Washer  
Part # 257.93  
Qty. 4



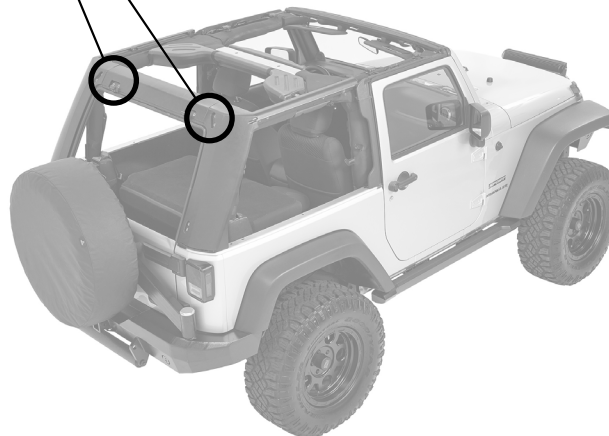
M6 x 25 Screw  
Part # 431.62  
Qty. 4

**Step 1**

Install the Right and Left Halos #509.76 & #509.77 to the Window Carrier.

Install the tab feature on the upper section of each Halo in the open end of the window carrier.

Secure with two (2) M6 x 25 Screws #431.62 and two (2) M6 Washers #257.93 from the outside and two (2) M6 Nylon Lock Nuts #494.01 from the inside in the outermost holes on each side.



**Tools**



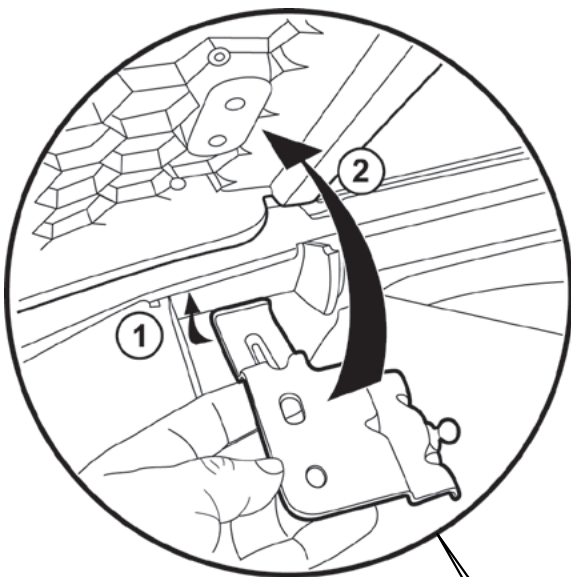
4mm Allen  
Wrench



10mm Wrench



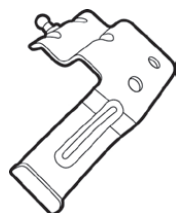
Step 2



Step 2

Hook each Strut Bracket under the belt rail inside the vehicle and rotate up.

Hardware



Strut Bracket - Right  
Part #509.64  
Qty. 1



Strut Bracket - Left  
Part #509.63  
Qty. 1



M6 Nylock Nut  
Part # 494.01  
Qty. 4



M6 Washer  
Part # 257.93  
Qty. 4



M6 x 25 Screw  
Part # 431.62  
Qty. 4

Tools

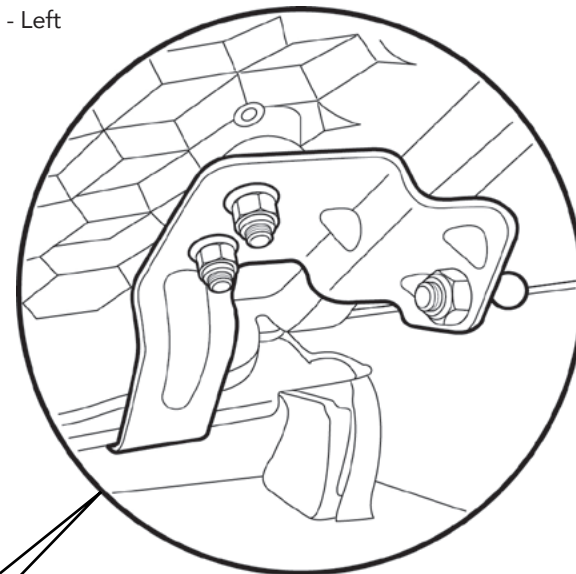


4mm Allen  
Wrench



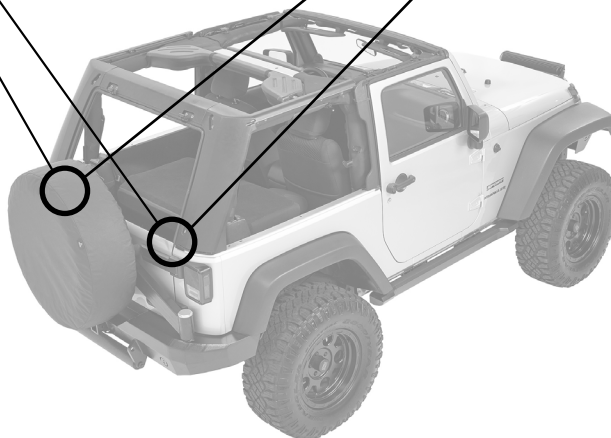
10mm Wrench

Step 3



Step 3

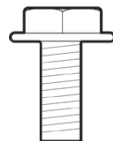
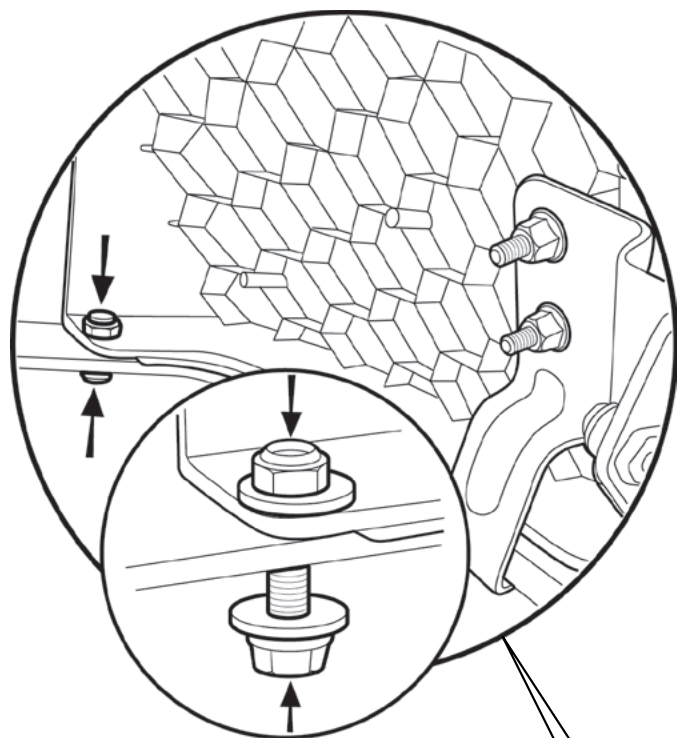
Secure bracket to Halo and belt rail.  
Repeat on both sides of the vehicle.



**Step 4**

**Hardware**

**Tools**



M8 x 20 Screw  
Part # 493.96  
Qty. 2



M8 x 20 Nylon  
Lock Nut  
Part # 434.12  
Qty. 2



M8 Washer  
Part # 433.98  
Qty. 4



13mm Wrench



Ratchet



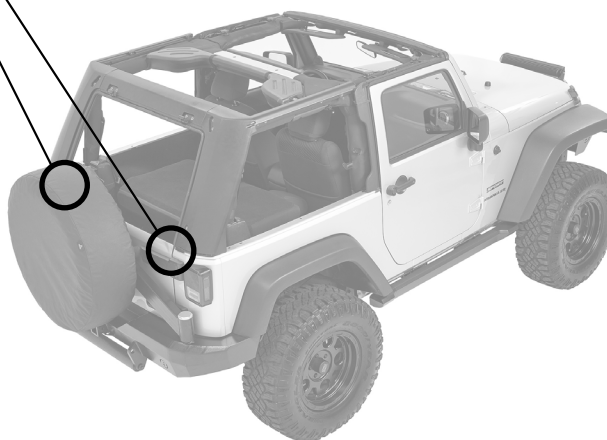
13mm Socket

**Step 4**

Use M8 x 20 Screws #493.96, M8 Washers #433.98 and M8 x 20 Nylon Lock Nuts #434.12 to secure the Halo to the belt rail on each side of the vehicle.

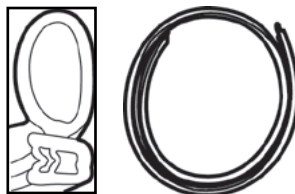
It may be easier to install the bolts from the bottom up with the nut on top.

Repeat on both sides of the vehicle.

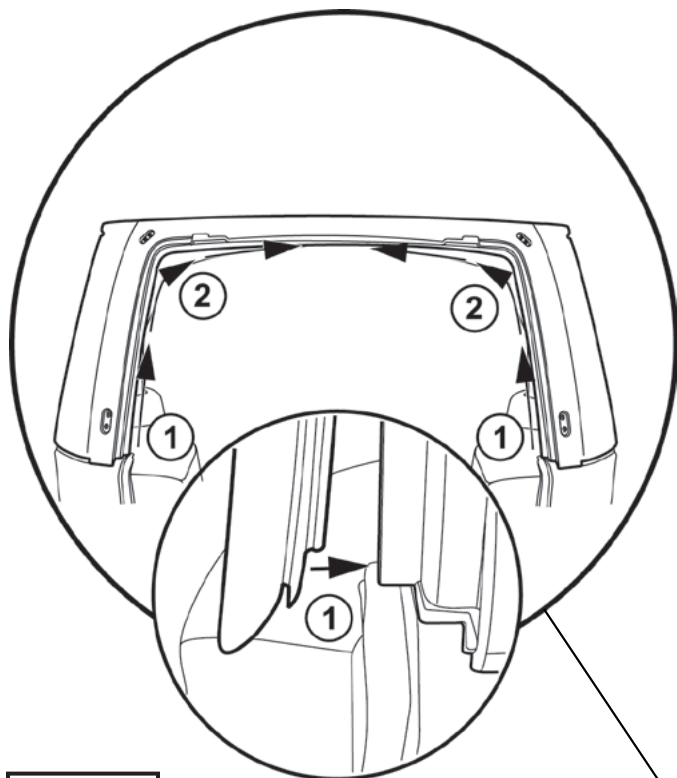


**Step 1**

**Hardware**



Halo Seal (Long)  
Part # 510.17  
Qty. 1

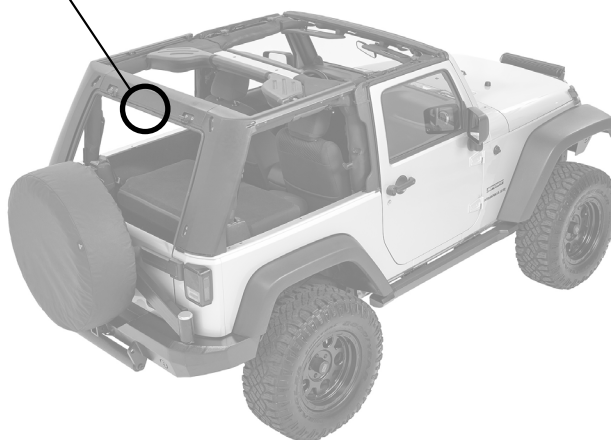


**Step 1**

Install the Halo Seal #510.17 on the Halo.

Start at the bottom on each side and work toward the center.

Align the bottom of the seal to match the angle on the tailgate opening.

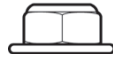


**Step 1**

**Hardware**



M6 Nylock Nut  
Part # 494.01  
Qty. 4



M6 Washer  
Part # 257.93  
Qty. 4



M6 x 25 Screw  
Part # 431.62  
Qty. 4

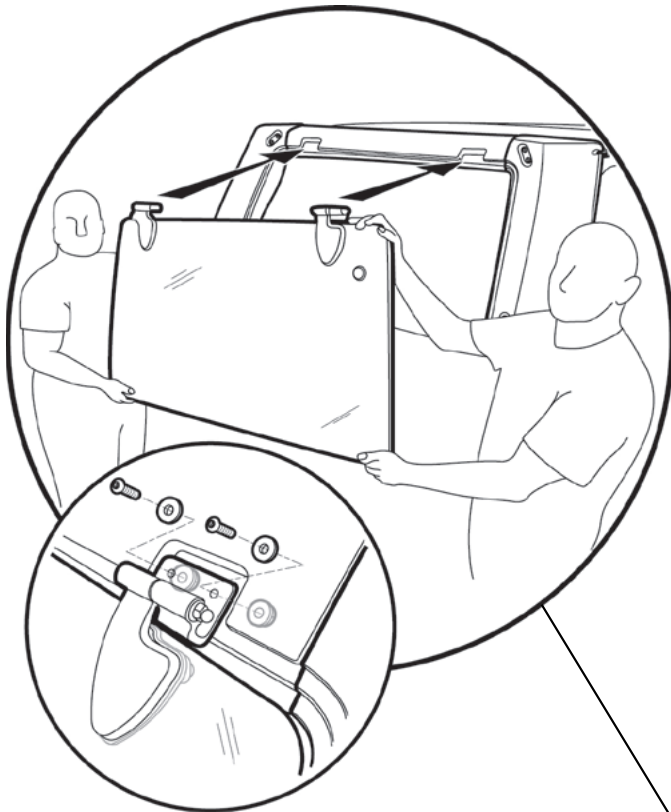
**Tools**



4mm Allen  
Wrench



10mm Wrench



**Step 1**

With at least 2 people, install the Rear Window Glass on the Halo.

Secure with two (2) M6 x 25 Screws #431.62 and two (2) M6 Washers #257.93 from the outside and two (2) M6 Nylon Lock Nuts #494.01 from the inside in the holes for the hinges on each side of the Halo.



**Important**

2 or more people are required to install the Rear Window Glass.

**Importante**

Se requiere 2 ó más personas para la instalación de la ventana de vidrio trasera.

**Important**

La mise en place de la lunette arrière en verre nécessite au moins deux personnes.



**CAUTION**

Take extra care fastening the gas strut brackets and the upper hinge plates to safety glass hatch. Over tightening may result in cracking or breaking the glass hatch.



**Precaución**

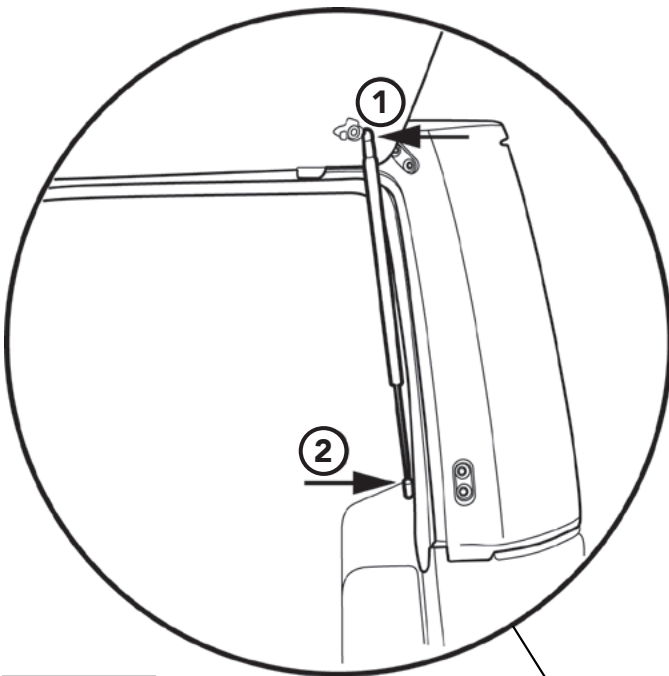
Tenga mucho cuidado al fijar los soportes de los puntales a gas y las placas con bisagras superiores a la luneta de cristal. Apretar más de lo necesario puede resultar en agrietamiento o rotura de la luneta de vidrio.



**Attention**

Apporter un soin très particulier à la fixation des étriers des vérins à gaz et des plaques des charnières supérieures sur la lunette en verre de sécurité. Un serrage trop important peut craqueler ou casser la lunette en verre.

**Step 1** 510.16



**Step 1**

To install the Struts: ① Secure the top (tube section) of the Strut to the Rear Window Glass by pressing the end onto the round stud. ② Secure the bottom to the lower Strut Bracket.

You may have to rotate the end of the Strut to align properly with the stud.

Repeat with both Struts.

**Hardware**



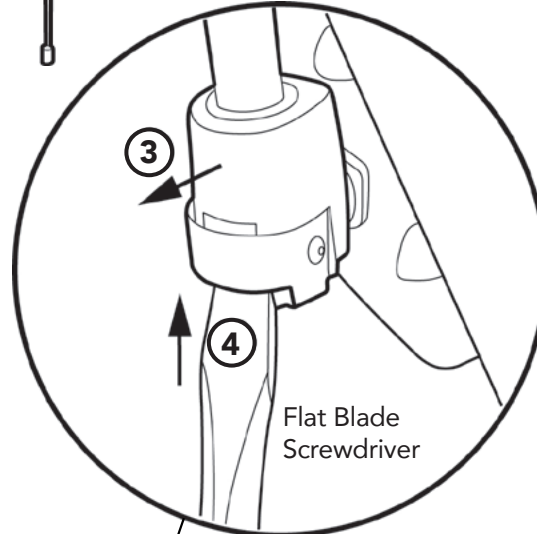
Strut  
Part #510.16  
Qty. 2

**Tools**



Flat Blade  
Screwdriver

**To Remove**



**CAUTION**

Take extra care fastening the gas strut brackets and the upper hinge plates to safety glass hatch. Over tightening may result in cracking or breaking the glass hatch.

**Precaución**

Tenga mucho cuidado al fijar los soportes de los puntales a gas y las placas con bisagras superiores a la luneta de cristal. Apretar más de lo necesario puede resultar en agrietamiento o rotura de la luneta de vidrio.

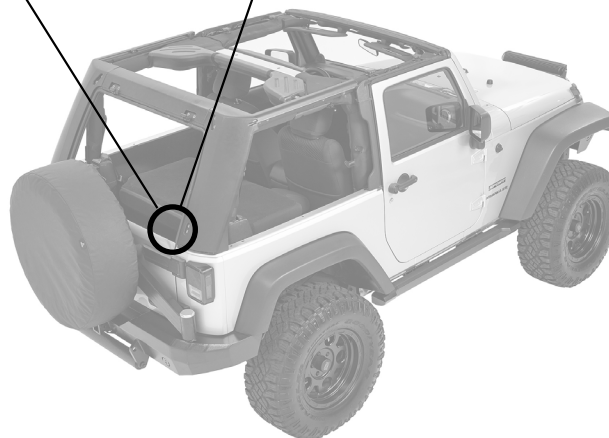
**Attention**

Apporter un soin très particulier à la fixation des étriers des vérins à gaz et des plaques des charnières supérieures sur la lunette en verre de sécurité. Un serrage trop important peut craqueler ou casser la lunette en verre.

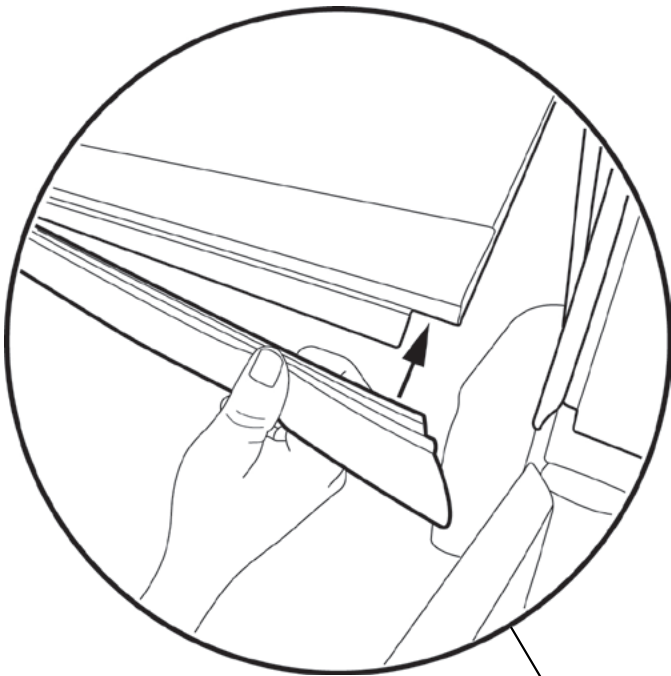
**To Remove**

③ Use a flat blade screwdriver to pry up the retainer ring and then ② pull the end off round stud to remove the strut.

Repeat with both Struts.



**Step 1**



**Hardware**

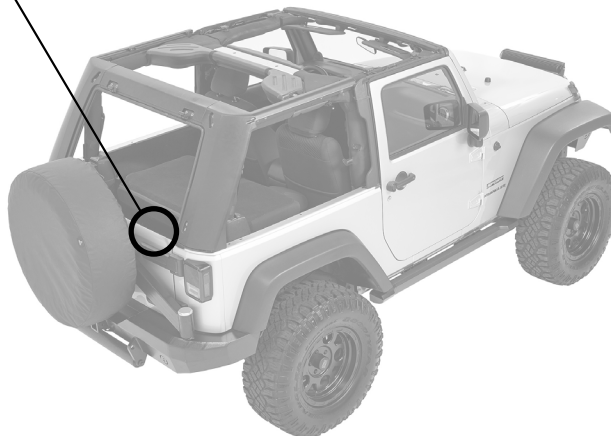


Rear Seal (short)  
Part #511.87  
Qty. 1

**Step 1**

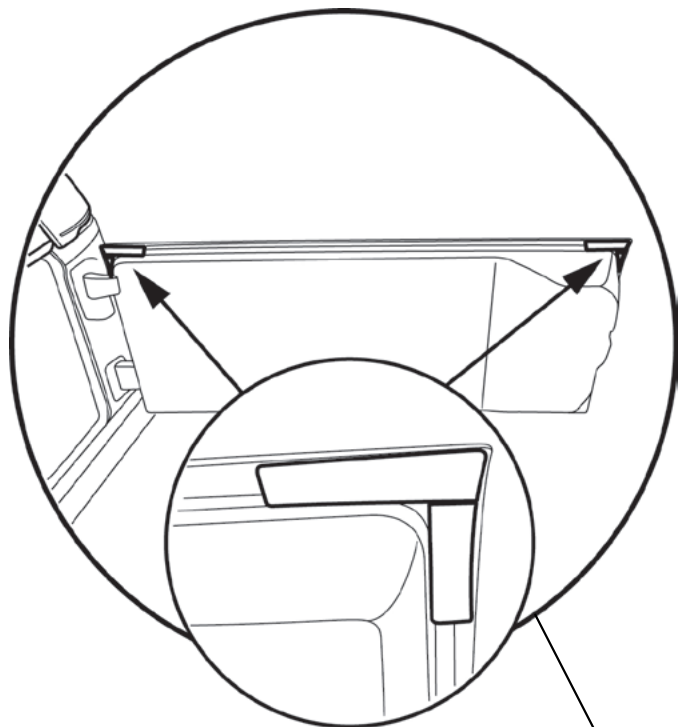
Install the Rear Seal on the bottom of the Rear Window Glass.

Start on the outside edges and work toward the center.

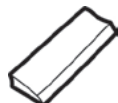


**Step 1**

**Hardware**



Upper TG Panel Seal  
Part #514.04  
Qty. 2

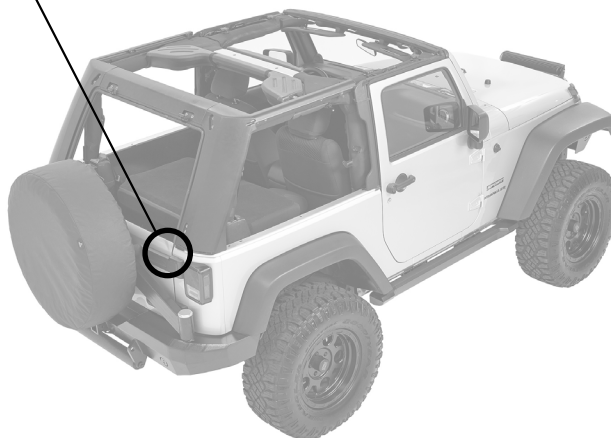


Lower TG Panel Seal  
Part #514.05  
Qty. 2

**Step 1**

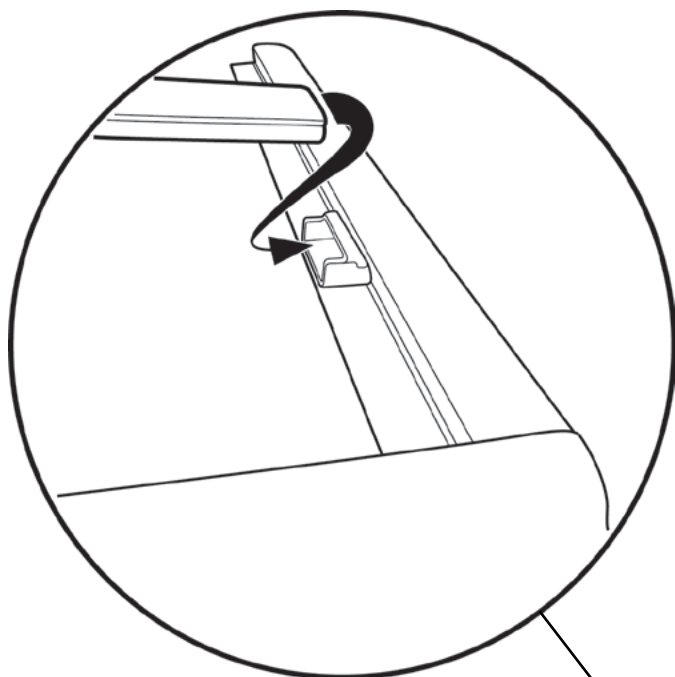
Install the TG Panel Seals on the tailgate panel.

The Upper TG Seal aligns with the top and the Lower TG Seal aligns with the Upper TG Seal.



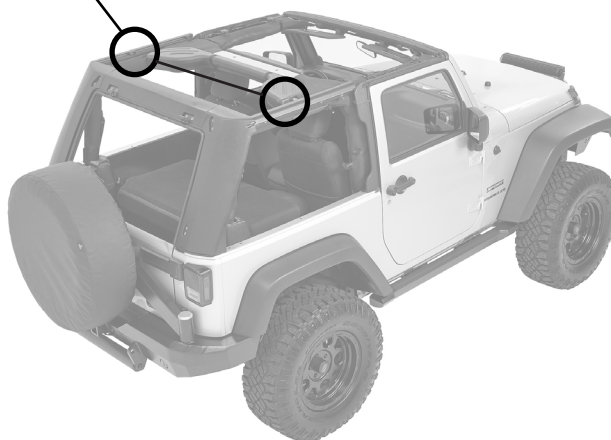
**Step 1**

**Hardware**



**Step 1**

- ① Insert the Rear Arch Bow #510.49 into the plastic mounting slot on the near side Window Carrier.
- ② While pushing up in the middle of the bottom of the Bow;
- ③ Push the opposite end of the Bow inward to flex the Bow and insert it into the slot in the opposite side of the Window Carrier.





**Step 1**

Tighten glass hinge fasteners.

Tighten Window Carrier fasteners.

Tighten bolts on sport bar holding Rear Brackets.

Zip sport bar covers closed.

Tighten all Halo frame fasteners, including lower Halo Strut Bracket and Halo lower screws.

Passenger side fastener locations shown.

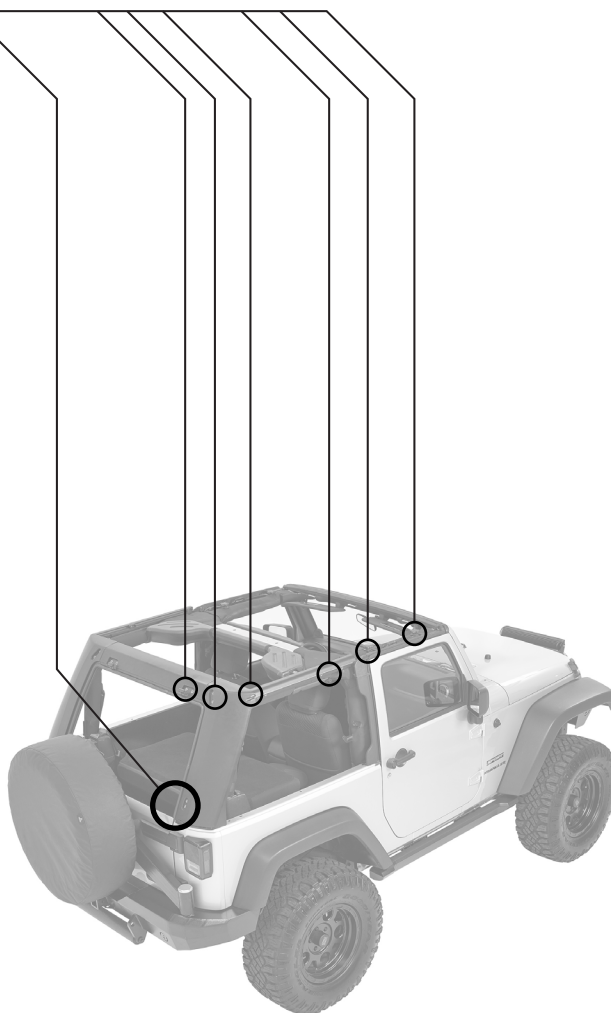
Repeat on both sides of the vehicle.

**Step 2**

Open and close the rear window.

Make sure the window operates smoothly.

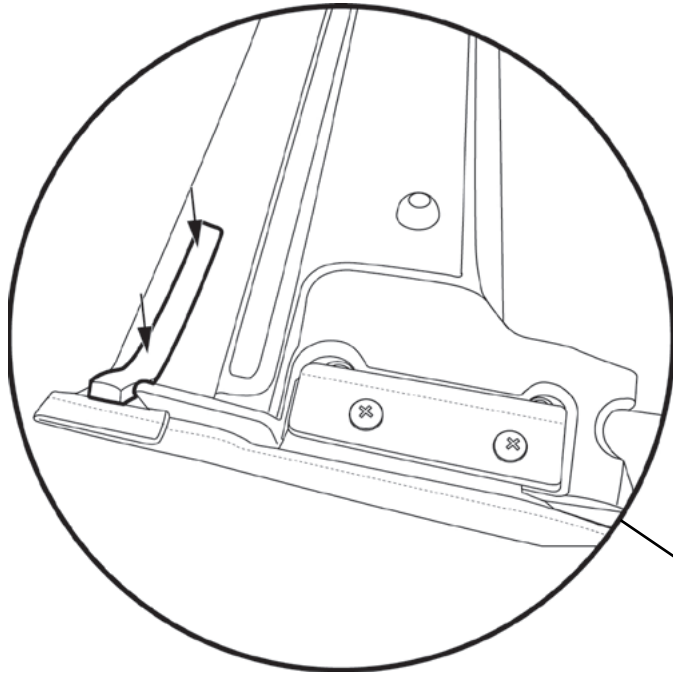
Make sure the window is centered in the opening and has a nice even gap and good seal contact on all sides.



Step 1

Hardware

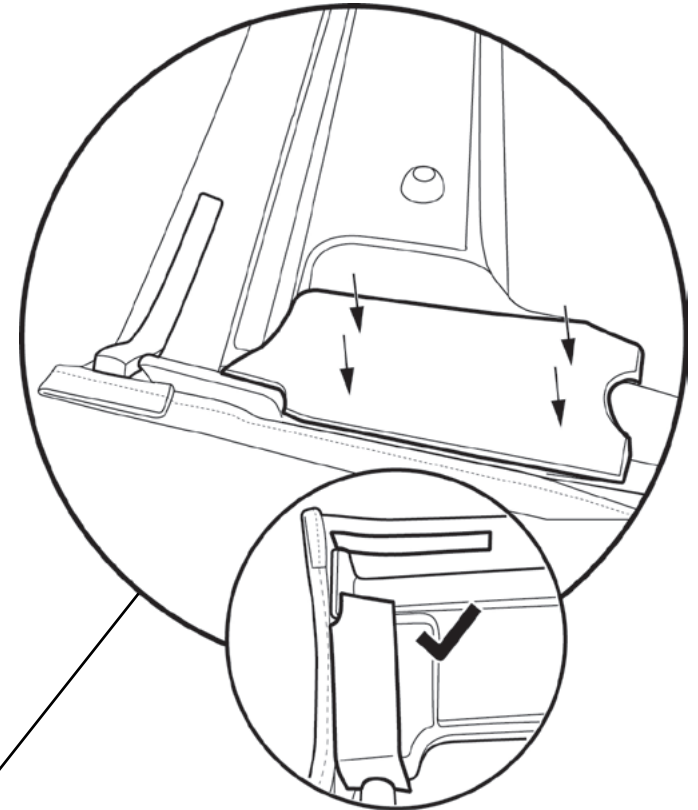
Step 2



Foam Tape Strips  
Part #417.43  
Qty. 1 per side



Foam Seals  
Part #457.76 Right  
Part # 457.77 Left  
Qty. 1 per side

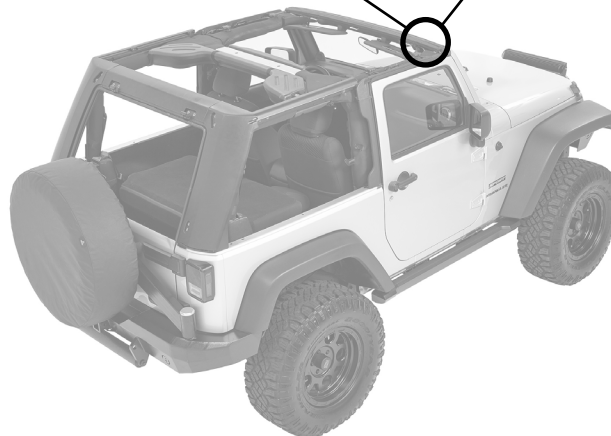


Step 1

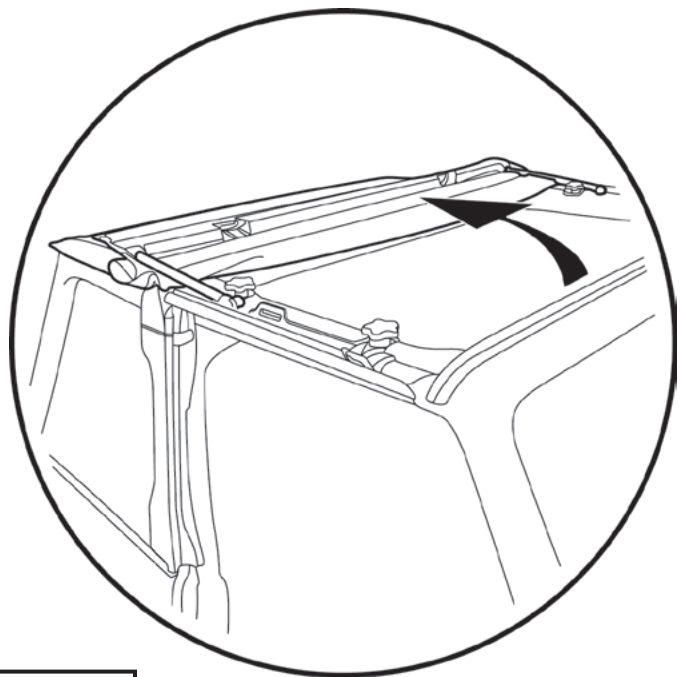
Peel the backing off the Foam Tape Strips #417.43 and install them on each side of the Header.

Step 2

Peel the backing off the Foam Seals #457.76 and #457.77 and install them on each side of the Header as shown above.



**Step 1**

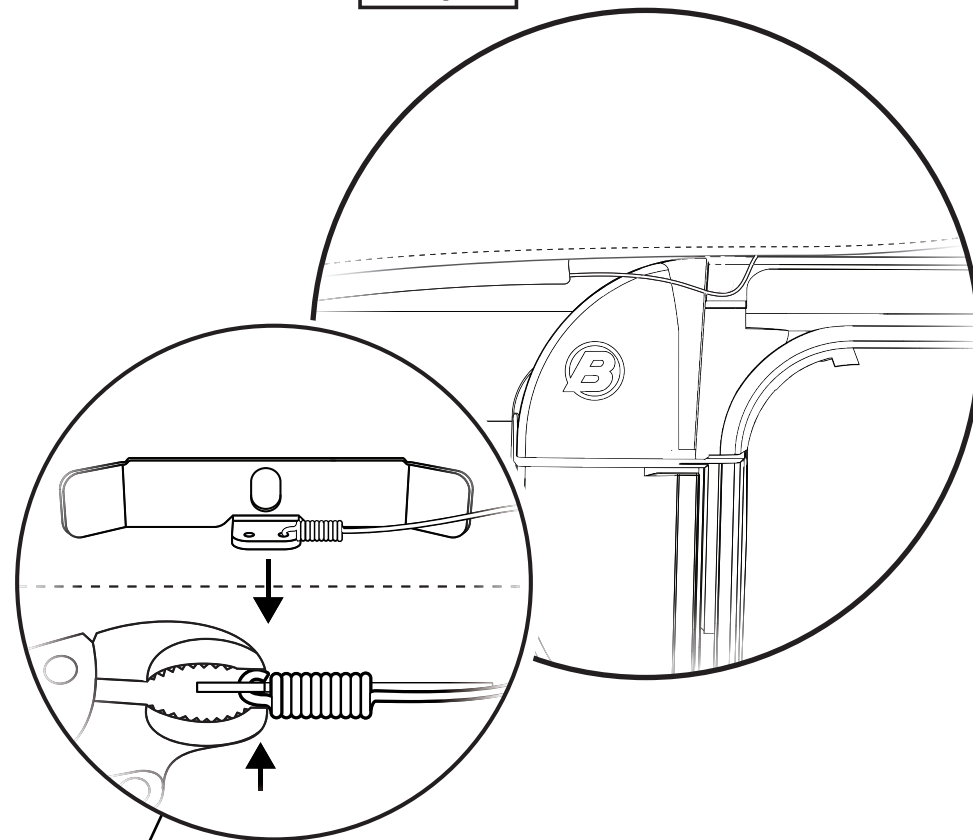


**Step 1**

Lay the Top Fabric back across the top of the Jeep.

Open the Sunrider by folding the Header back.

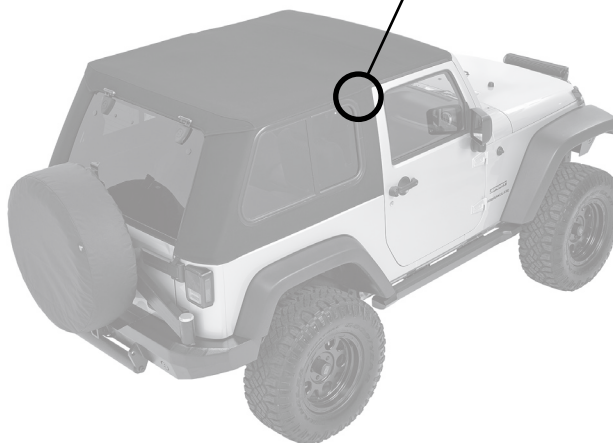
**Step 2**



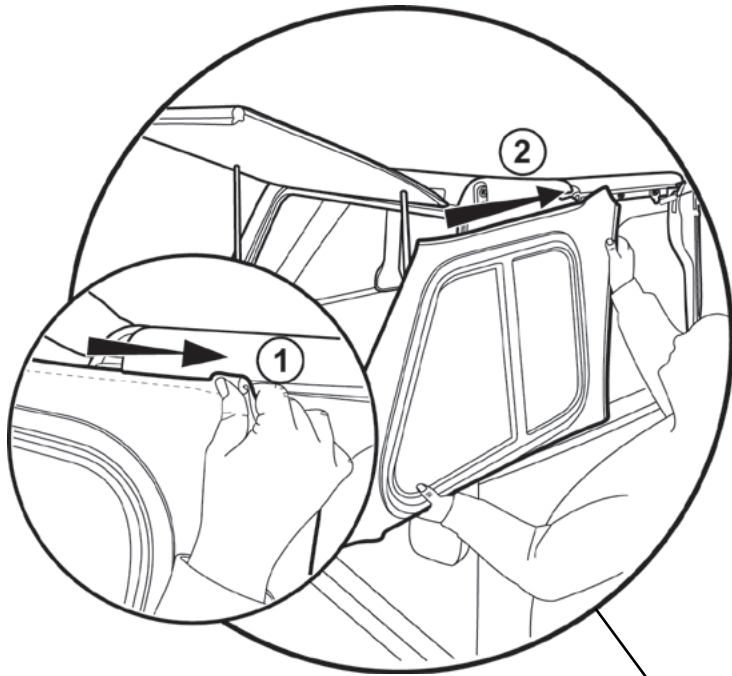
**Step 2**

Run the spring cable under the Door Surround shoulder screw and hook it into the Cable Bracket on the Window Carrier. Crimp the spring to secure it to the Cable Bracket.

Repeat on both sides of the vehicle.



Step 1

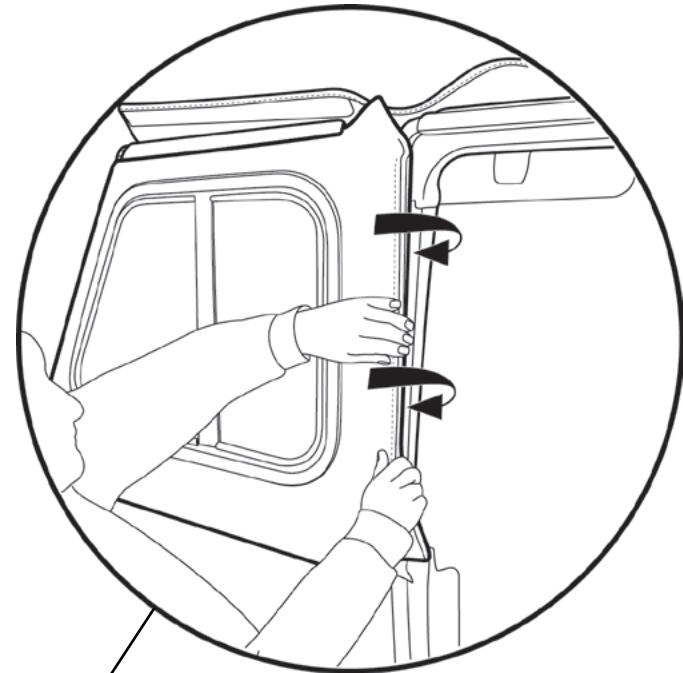


Step 1

Start at the rear of the Window Carrier and slide the tube on the top of the Right Side Window into the slot in the Window Carrier.

Repeat on the left side of the vehicle.

Step 2

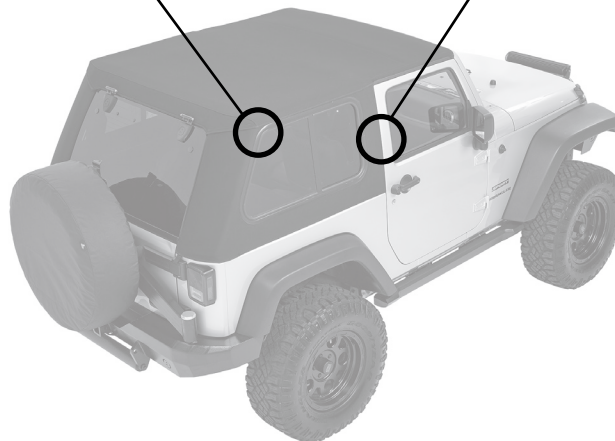


Step 2

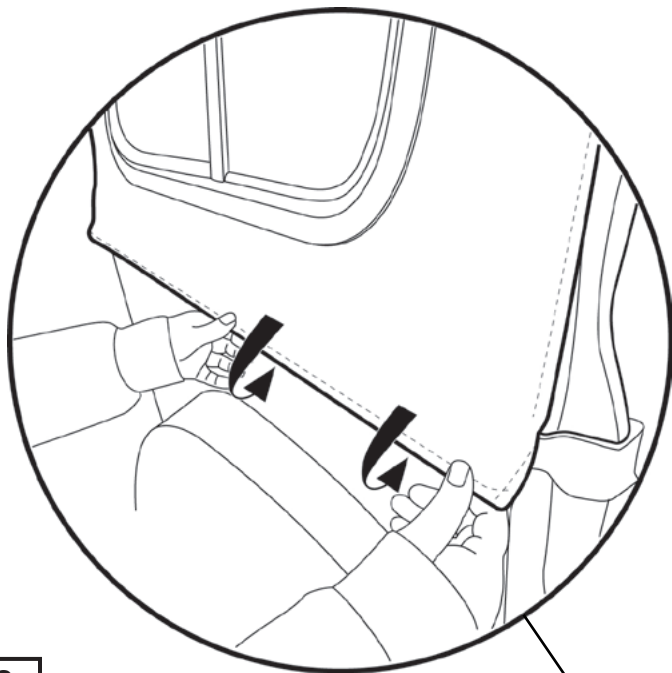
Roll the window retainer into the vertical slot on the front edge of the Door Surround.

You can adjust the window front-to-back if needed, but the fabric will be tight.

Repeat on the left side of the vehicle.



**Step 3**



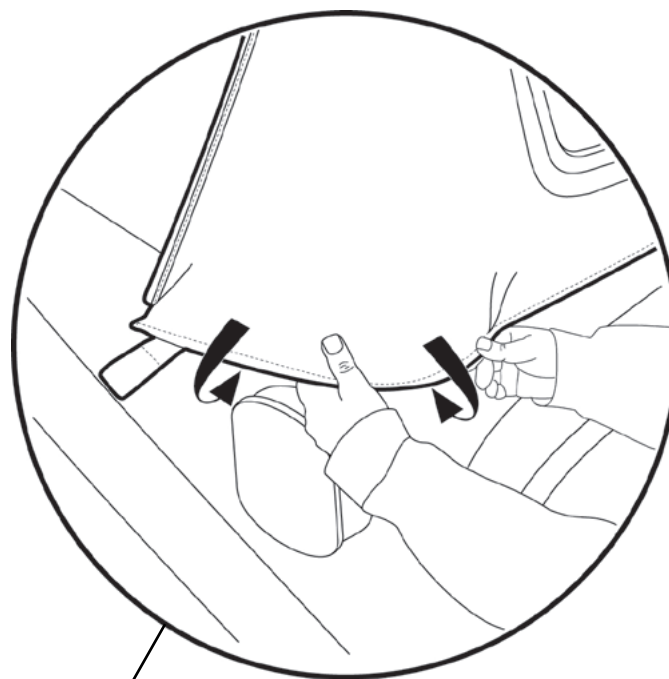
**Step 3**

Start at the front and work from front to back to install the retainer along the bottom of the window. Tuck the retainer under the vehicle belt rail.

You can adjust the window front-to-back if needed but the fabric will be tight

Repeat on the both sides of the vehicle.

**Step 4**

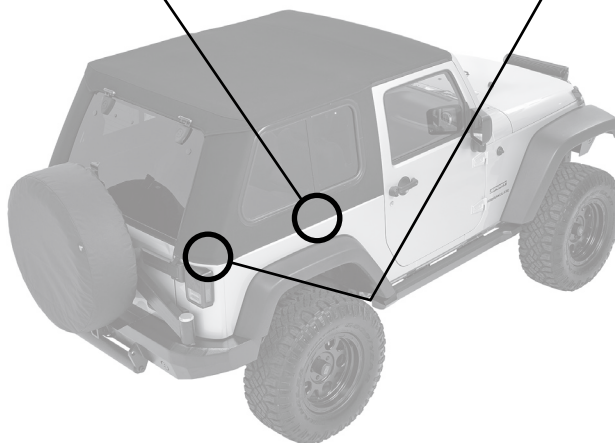


**Step 4**

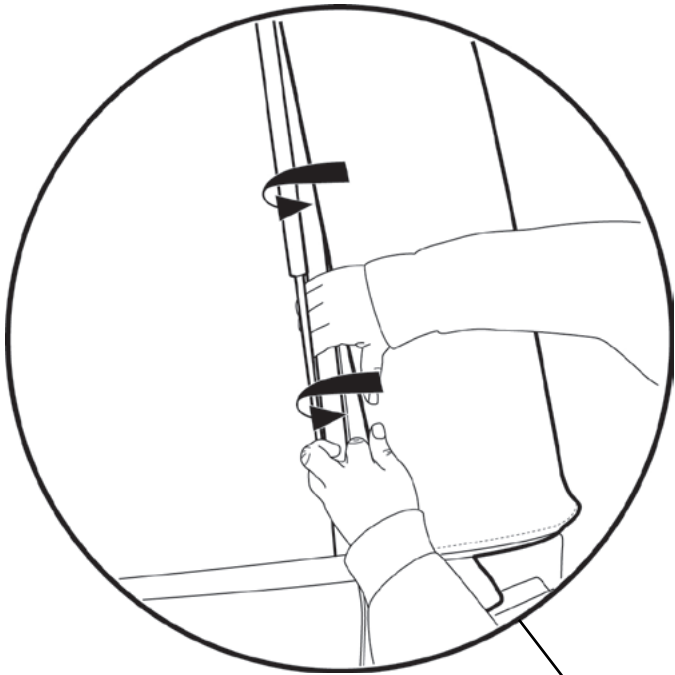
Install the rear corner retainer. Tuck the retainer under the vehicle belt rail.

You can adjust the window front-to-back if needed but the fabric will be tight

Repeat on the both sides of the vehicle.



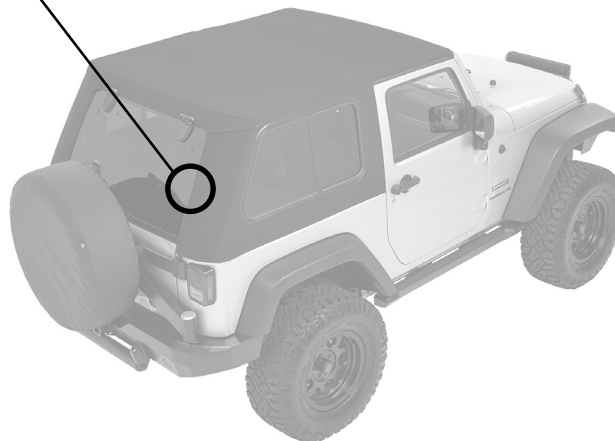
**Step 5**



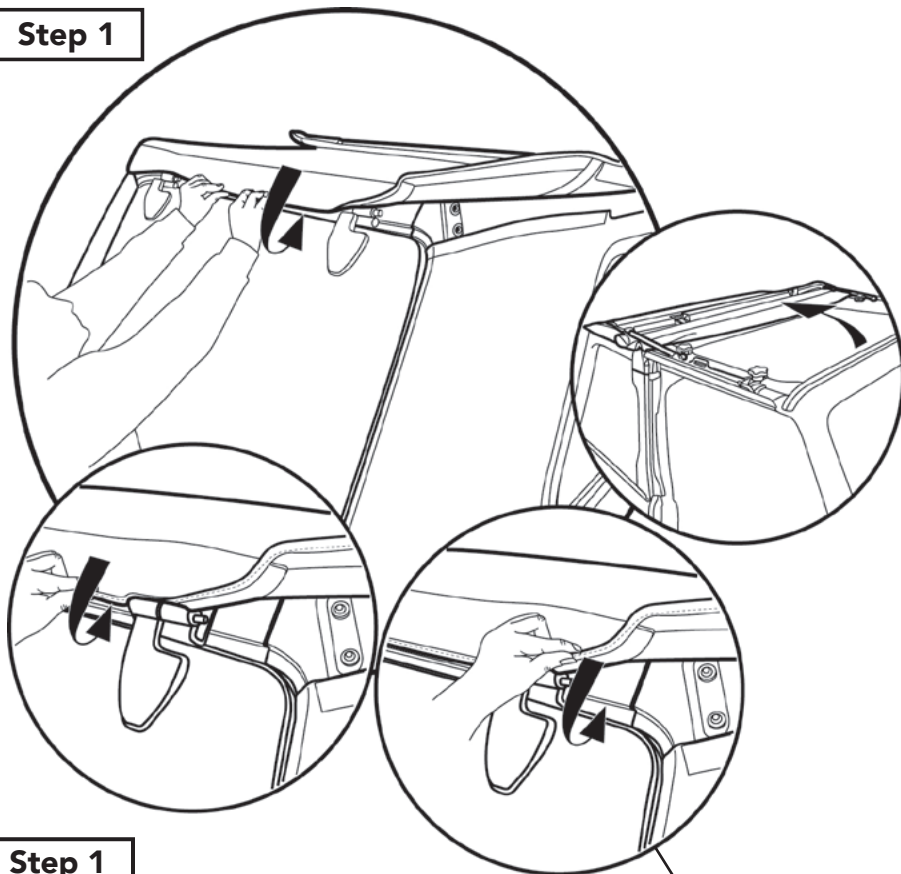
**Step 5**

Start at the bottom and roll the retainer into the slot in the Rear Halo. Work up from bottom to top.

Repeat on the both sides of the vehicle.



Step 1

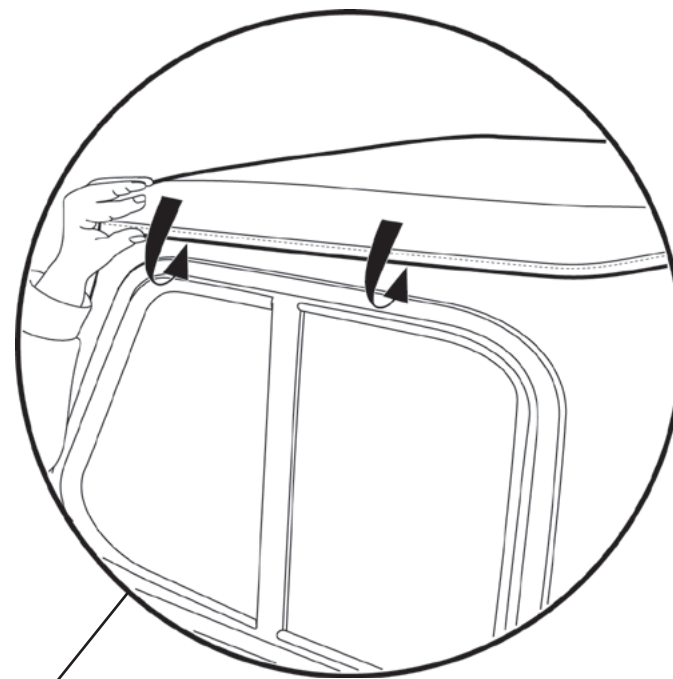


Step 1

Start in the middle and roll the retainer into the slot in the Rear Halo above the Rear Window hinges.

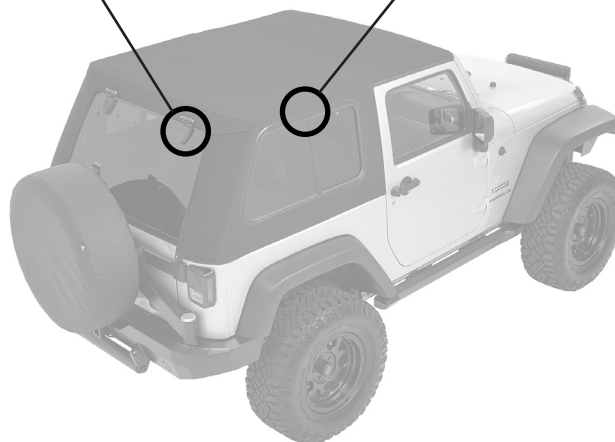
This operation is made easier if the Sunrider is open for both installation and removal of top and windows.

Step 2

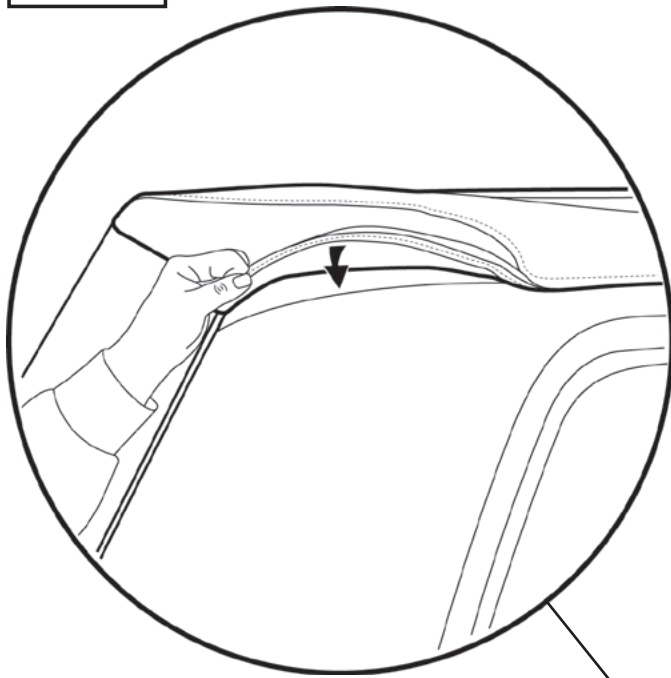


Step 2

Install the side retainers into the Window Carrier

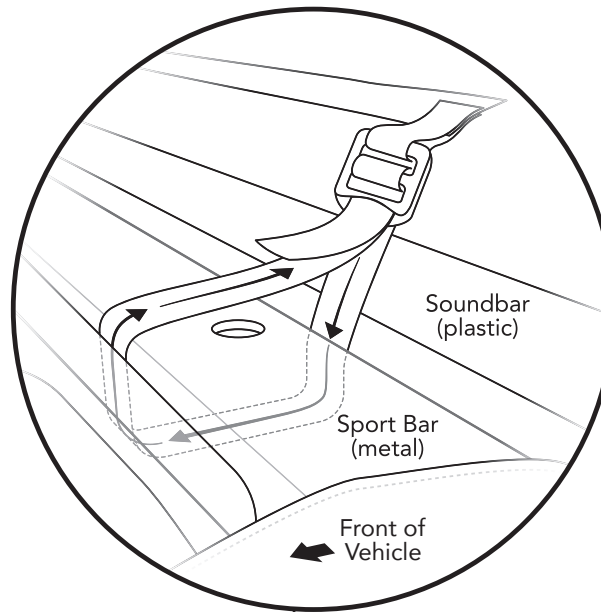


**Step 3**

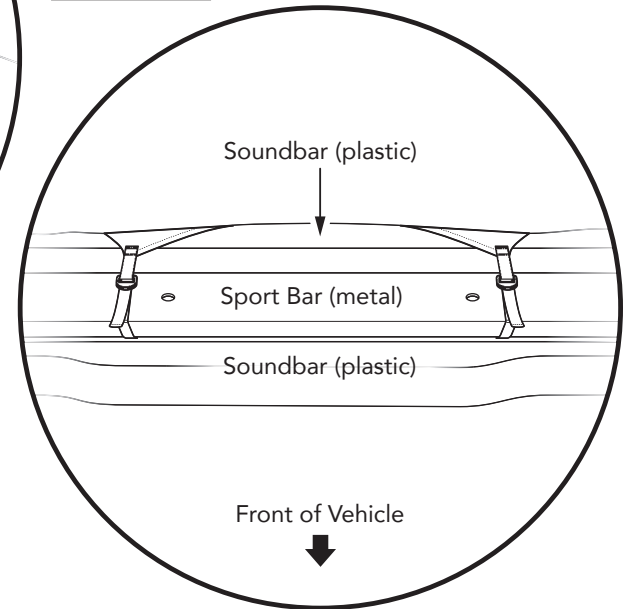


**Step 3**

Engage rear corner hook-and-loop on both sides of the vehicle.



**Step 4**

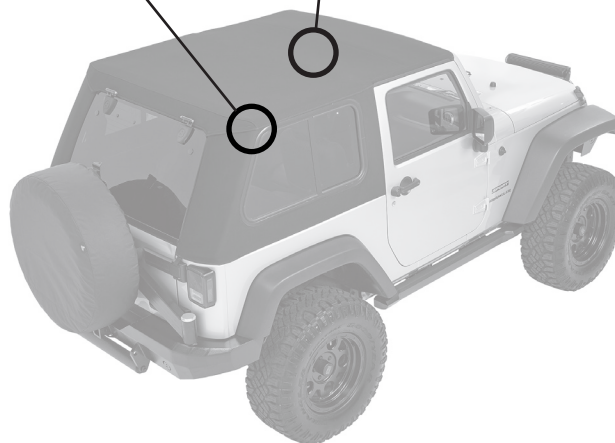


**Step 4**

Locate the two straps and buckles attached to the inside of the top fabric.

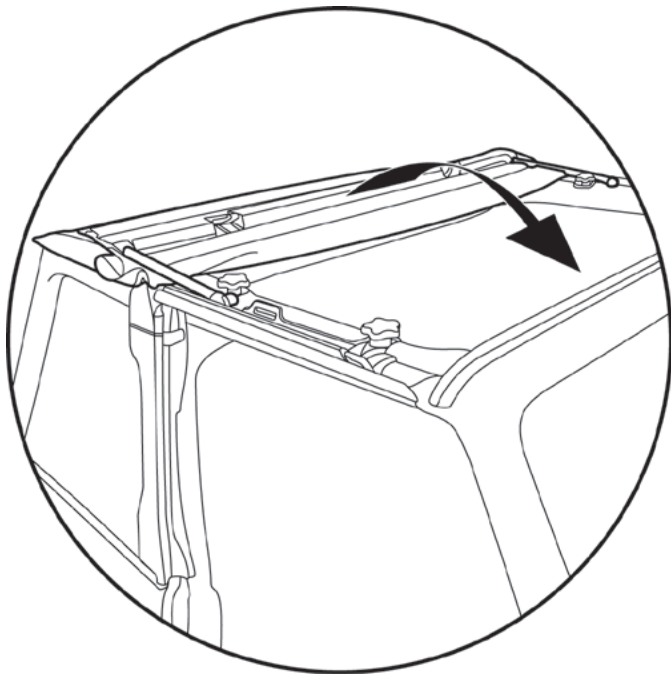
With the Sunrider halfway open, and while looking down on top of the soundbar and sportbar, thread the long end of each strap between the plastic portions of the soundbar, and the metal sportbar, so that the strap wraps completely around the metal sportbar.

Attach the end of each long strap to the buckle, and snug. Do not overtighten.





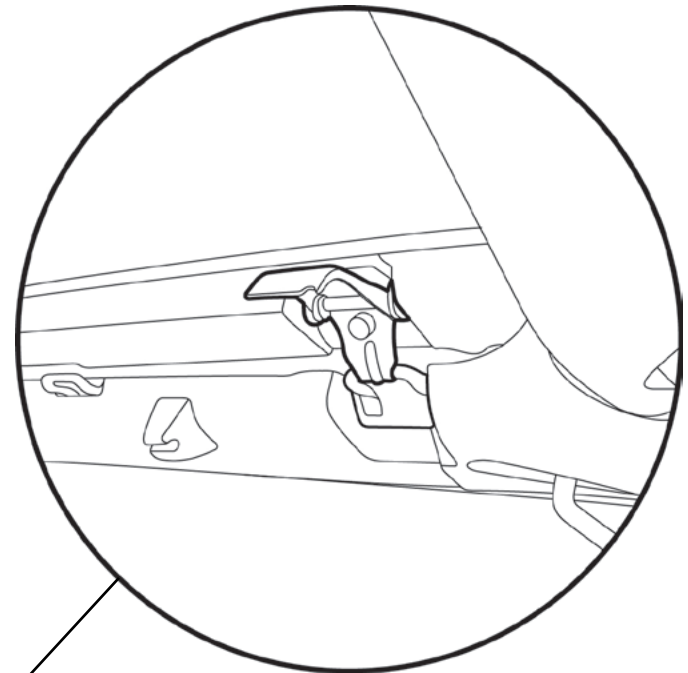
**Step 1**



**Step 1**

Close the Sunrider.

**Step 2**

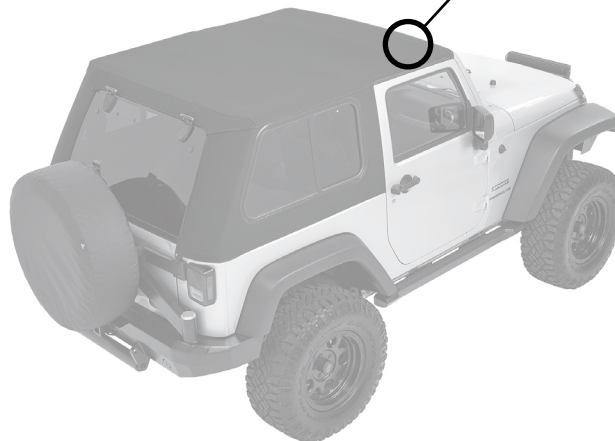


**Step 2**

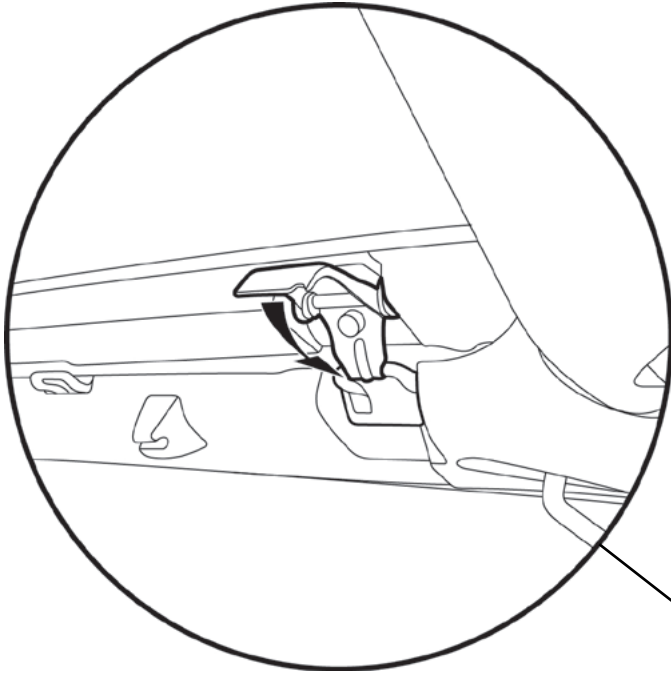
Hook the latches on the windshield header into the loops on the windshield.

Do not close the latch.

Repeat on the opposite side of the vehicle.

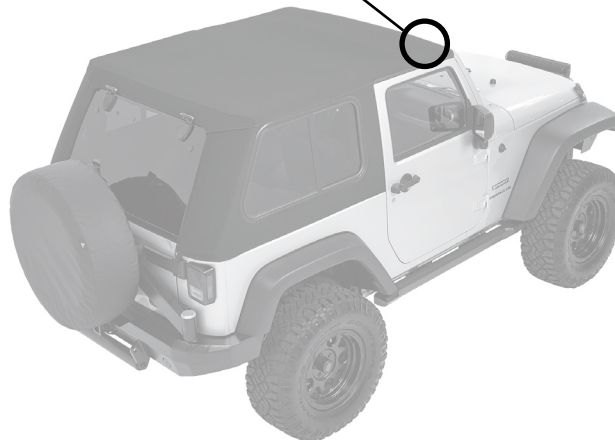


**Step 3**



**Step 3**

Close the latches on both sides of the windshield header.



**Original Soft Top Only**



Model Years 2007-2010



Model Years 2011+

**Original Soft Top Only**

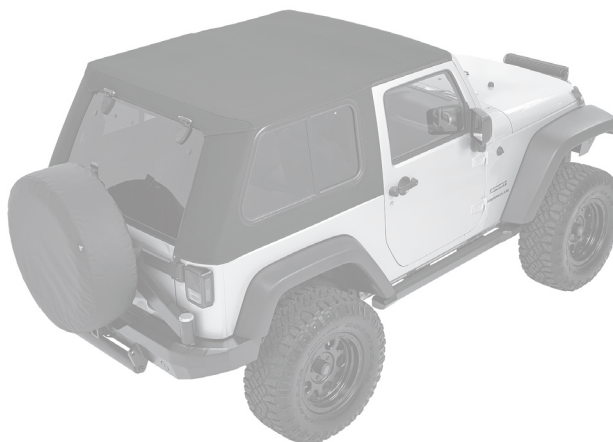
Purchase a MOPAR wiring harness (not included) and install according to MOPAR directions.

Model Years 2007-2010: #82210215

Model Years 2011+

- without heated mirror: #82212859

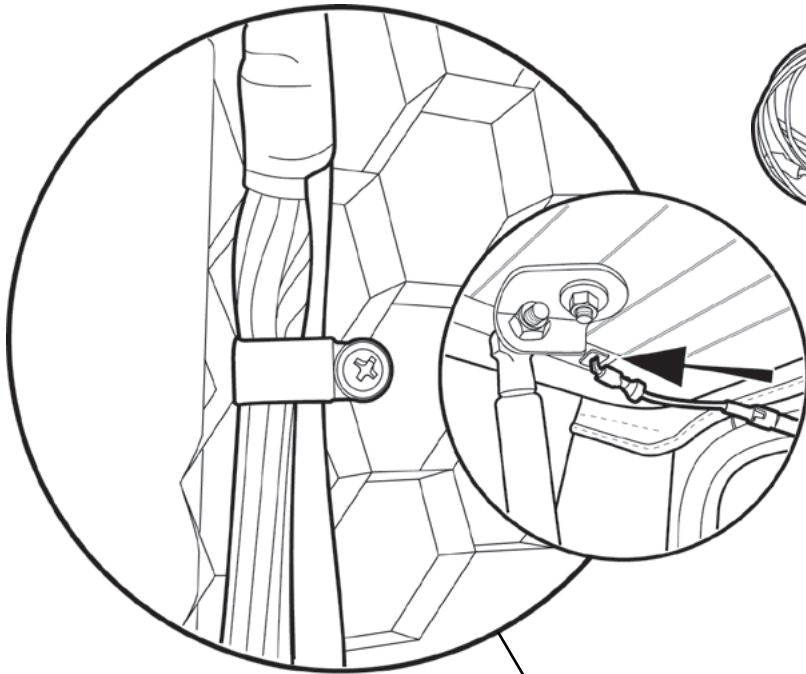
- with heated mirror: #82212860



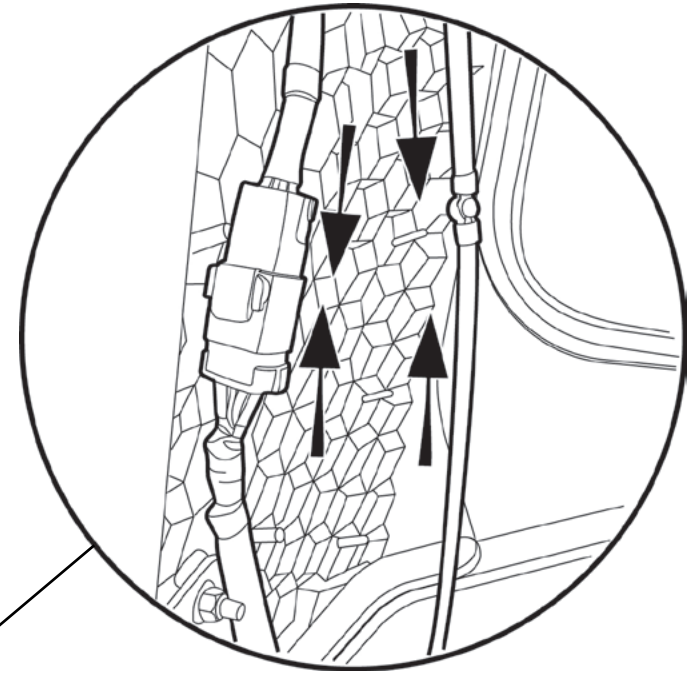
Step 1

Hardware

Step 2



Jumper Harness  
Part #510.18  
Qty. 1



Step 1

Attach Harness to Rear Glass heater grid terminals and route the wiring back to the existing OE harness.

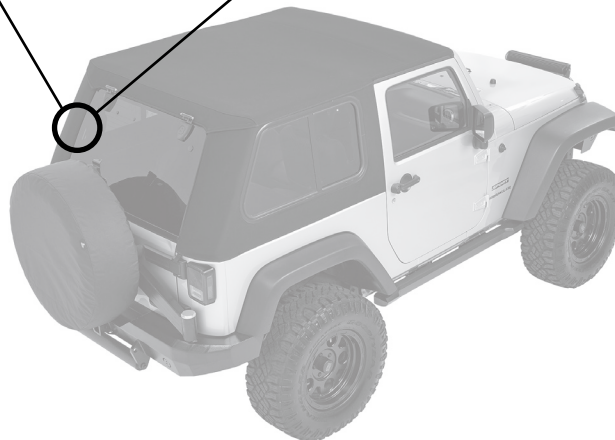
Use the "P" clips and the screws provided in the harness kit to route the wires.

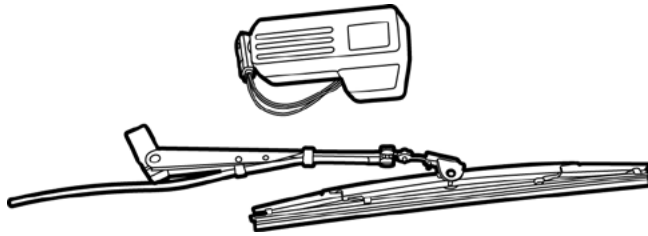
Remove any caps covering the metal clip.

Step 2

Attach Jumper Harness to existing vehicle wiring harness.

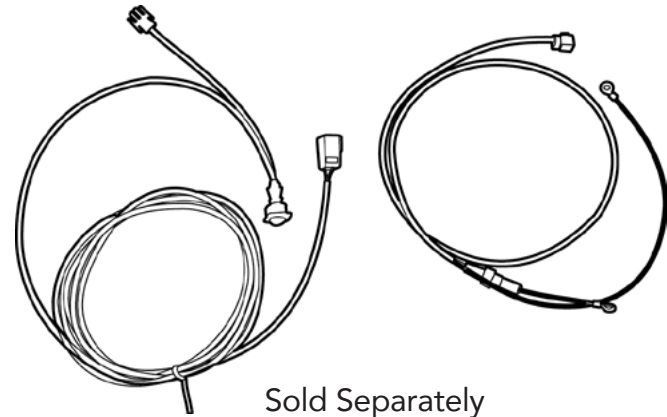
You will need to re-use the original washer fluid connector for the Trektop PRO Plus washer fluid tube.





Sold Separately

**5485801 Rear Wiper Motor Kit**



Sold Separately

**5485701 Heater Grid Only Harness**



## Installation Instructions Trektop Pro

Vehicle Application:  
Jeep® Wrangler JK (2 Door) 2007-2017  
Part Number 54862

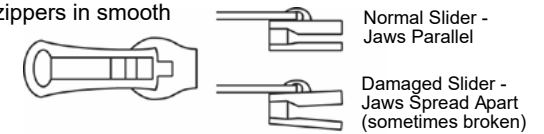
### Care and Maintenance of your Bestop Product

Your Bestop product is made of the finest materials available. To keep it looking new and for the maximum possible life, it will need periodic cleaning and maintenance.

**Fabric:** The fabric should be washed often using soap, warm water and a soft bristle brush. Rinse with clear water to remove all traces of soap. Bestop recommends using **Bestop Cleaner** (part no. 11201-00) and **Bestop Twill Protectant** (part no. 11207-00) which are specially formulated to provide a total cleaning and protection system

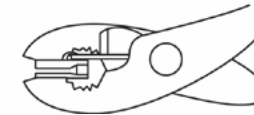
**Windows:** Keep windows clean to avoid scratching. DO NOT use a brush on the windows! Wash with a water-soaked cloth or sponge and a mild dishwashing detergent. Bestop recommends Bestop Vinyl Window Cleaner (part no. 11203-00), which safely cleans and protects vinyl windows and helps prevent UV damage. NEVER WIPE THE WINDOWS WHEN THEY ARE DRY. Be careful when cleaning snow or frost from the vinyl windows since they are easily scratched and may crack at low temperatures. DO NOT roll the sides or rear window in cold weather. The windows become stiff and will crack. Cracks caused by misuse in cold temperatures are not covered under warranty.

**Zippers:** Keeping zippers cleaned and lubricated with Bestop's Zipper Cleaner (part no. 11206-00) will help prevent damage and keep the zippers in smooth working condition. If a zipper opens behind the slider, the slider may have been spread apart. This problem can usually be repaired by using an ordinary pair of pliers to bring the sides back into parallel. Return slider to the end of the zipper in the normal Open position. Squeeze lightly at first and test the zipper. If the zipper continues to remain open squeeze more firmly with the pliers and try the zipper again. Repeat this procedure until the zipper operates correctly.



**Water:** Seeping through at the seams may be stopped by applying 3-M Scotchgard® on the inside of the seams. Rips in the fabric may be repaired with Bondex® iron on patches. Iron the patches to the Inside of the top, carefully following the Bondex® instructions.

**Snaps:** Keep snaps cleaned and lubricated with silicone to help prevent snaps from sticking to the studs. If a snap does become stuck to a stud, use a screwdriver and GENTLY pry apart to prevent permanent damage to the snap or the top fabric.





# Installation Instructions Trektop Pro

Vehicle Application:  
Jeep® Wrangler JK (2 Door) 2007-2017  
Part Number 54862

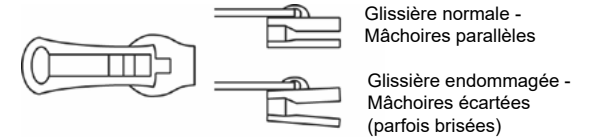
## Soin et entretien de votre produit Bestop

Votre produit Bestop est fabriqué des meilleurs matériaux disponibles. Il devra être nettoyé et entretenu régulièrement afin de maintenir son apparence neuve et pour une durée d'utilisation maximale.

**Tissu** : Le tissu doit être lavé régulièrement à l'aide de savon, d'eau chaude et d'une brosse à soies douces. Rincer à l'eau claire afin d'éliminer toute trace de savon. Bestop recommande d'utiliser son **Bestop Cleaner** (pièce no 11201-00) et **Bestop Twill Protectant** (pièce no 11207-00) which qui sont spécialement formulés pour fournir un système complet de nettoyage et de protection.

**Vitres** : Maintenir les vitres propres pour éviter de les égratigner. NE PAS utiliser une brosse sur les fenêtres. Laver avec un chiffon ou une éponge imbibée d'eau et d'un savon à vaisselle doux. Bestop recommande Bestop Vinyl Window Cleaner (no de pièce 11203-00), lequel nettoie et protégé les vitres de vinyle et aide à prévenir les dommages causés par les UV. NE JAMAIS ESSUYER LES VITRES ALORS QU'ELLES SONT SÈCHES. Prendre soin de bien enlever la neige ou le givre des vitres de vinyle parce qu'elles peuvent être égratignées facilement et peuvent fissurer à de basses températures. NE PAS rouler les vitres latérales ou arrière par temps froid. Les vitres deviennent dures et elles fissureront. Les fissures causées par une mauvaise utilisation par temps froid ne sont pas couvertes par la garantie.

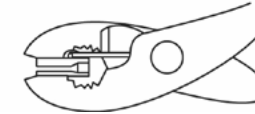
**Fermetures à glissière** : Maintenir les fermetures à glissière propres et lubrifiées à l'aide du nettoyant Zipper Cleaner (no de pièce 11206-00) de Bestop aidera à protéger des dommages et maintiendra les fermetures à glissière en bon état de fonctionnement. Si une fermeture à glissière ouvre derrière la glissière, la glissière peut avoir été forcée au point de s'ouvrir. Le problème peut habituellement être réparé en utilisant des pinces ordinaires pour remettre les côtés parallèles. Remettre la glissière au bout de la fermeture à glissière, dans la position Ouverte normale. Serrer légèrement au début et vérifier le fonctionnement de la fermeture à glissière. Si la fermeture à glissière continue de rester ouverte, serrer plus fortement à l'aide des pinces et essayer la fermeture à glissière de nouveau. Répéter le processus jusqu'à ce que la fermeture à glissière fonctionne correctement.



Glissière normale -  
Mâchoires parallèles

Glissière endommagée -  
Mâchoires écartées  
(parfois brisées)

**Eau** : Les infiltrations d'eau aux coutures peuvent être arrêtées par l'application de Scotchgard® 3M sur l'intérieur des coutures. Les déchirures dans le tissu peuvent être réparées grâce aux pièces thermocollantes Bondex®. Fixer les pièces thermocollantes à l'aide d'un fer à repasser sur l'intérieur du toit, en suivant soigneusement les instructions de Bondex®.



**Boutons pression** : Maintenir les boutons pression propres à l'aide de silicone pour empêcher les boutons pression de coller aux rivets. Si un bouton pression reste collé à un rivet, utiliser un tournevis et appliquer une FAIBLE PRESSION afin d'éviter d'endommager le bouton pression ou le tissu du toit.

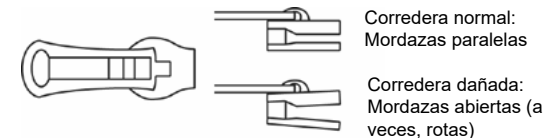
## Cuidado y mantenimiento de su producto Bestop

Su producto Bestop está hecho con materiales de la más alta calidad. Para mantener su aspecto nuevo y alargar su vida útil al máximo posible, necesitará limpieza y mantenimiento periódicos.

**Tela**: debe lavar la tela con frecuencia usando jabón, agua tibia y un cepillo de cerdas suaves. Enjuague con agua limpia para eliminar todos los residuos de jabón. Bestop recomienda usar **Bestop Cleaner** (núm. de parte 11201-00) y **BestopTwill Protectant** (núm. de parte 11207-00) que están formulados especialmente para proporcionar un sistema de limpieza y protección total.

**Ventanas**: mantenga las ventanas abiertas para evitar que se rayen. ¡NO use cepillo para lavar las ventanas! Lave con un paño o esponja empapado de agua y un detergente suave para lavar platos. Bestop recomienda usar el limpiador de ventanas de vinilo Bestop (número de parte 11203-00), que limpia de manera segura y protege las ventanas de vinilo, además de ayudar a prevenir daños causados por los rayos UV. NUNCA LIMPIE LAS VENTANAS CUANDO ESTÉN SECAS. Tenga cuidado cuando limpie la nieve o escarcha de las ventanas de vinilo, ya que se rayan con facilidad y pueden agrietarse a temperaturas bajas. NO baje las ventanas laterales o la ventana de la parte posterior cuando haga frío. Las ventanas pueden ponerse rígidas y agrietarse. Esta garantía no cubre las grietas causadas por mal uso en temperaturas frías.

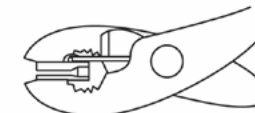
**Cremalleras**: conserve las cremalleras limpias y lubricadas con el limpiador de cremalleras Bestop (número de parte 11206-00), que ayuda a prevenir daños y mantiene las cremalleras en óptimas condiciones de funcionamiento. Si la cremallera se abre detrás de la corredera, es posible que las mordazas de la corredera se hayan separado. Por lo general, este problema se repara fácilmente con un par de pinzas comunes para volver a poner los lados en paralelo. Regrese la corredera al extremo de la cremallera en la posición abierta normal. Apriete un poco al principio y pruebe la cremallera. Si la cremallera sigue abierta, apriete con mayor firmeza con las pinzas y vuelva a probar la cremallera. Repita este procedimiento hasta que la cremallera funcione correctamente.



Corredera normal:  
Mordazas paralelas

Corredera dañada:  
Mordazas abiertas (a  
veces, rotas)

**Agua**: para eliminar la filtración de agua por las costuras, aplique cinta Scotchgard® de 3-M en la parte interior de las costuras. Los rasgones de la tela pueden repararse con parches Bondex® que se aplican con plancha. Planche los parches en el interior de la capota, siguiendo con cuidado las instrucciones de Bondex®.



**Broches**: conserve los broches limpios y lubricados con silicona para evitar que se peguen a los corchetes de encaje. Si un broche se queda pegado a un corchete, use un destornillador y CON CUIDADO separe las dos piezas para evitar daño permanente al broche o a la tela de la capota.



## Warranty Information Trektop Pro

Vehicle Application:  
Jeep® Wrangler JK (2 Door) 2007-2017  
Part Number 54862

### WHAT BESTOP WARRANTS

Subject to the terms and conditions of sale, including any terms and conditions set forth by Bestop, Inc. (“Bestop” or “us” or “we”) in our then-current terms of sale on our website (collectively, the “Terms”), Bestop represents and warrants that: the covered products listed in the “Covered Products and Warranty Periods” section (a “Product”) will substantially be free from defects in materials and workmanship for the specified warranty periods set forth in that section.

### THE WARRANTY IS LIMITED AND CONDITIONAL

This warranty applies to the original purchaser of the Product only. The warranty is valid only as long as the original retail purchaser owns the vehicle upon which the Product is installed. The warranty expires should the Product be removed from the original vehicle or if the original vehicle is transferred to another owner. This warranty is not transferable or assignable. The warranty does not apply to Product bought from auction-style or price-bid websites.

THE LIMITED WARRANTY AND STATED REMEDIES ARE SOLE AND EXCLUSIVE AND IN LIEU OF ALL OTHER WARRANTIES AND REMEDIES, AND COMPANY EXPRESSLY DISCLAIMS ALL IMPLIED OR STATUTORY OR OTHER WARRANTIES, INCLUDING WITHOUT LIMITATIONS WARRANTIES OF MERCHANTABILITY, NON-INFRINGEMENT OR FITNESS FOR A PARTICULAR PURPOSE. IN NO EVENT WILL COMPANY BE LIABLE FOR ANY SPECIAL, INCIDENTAL, CONSEQUENTIAL, PUNITIVE, INDIRECT OR EXEMPLARY DAMAGES OF ANY KIND, INCLUDING LOST PROFITS OR REVENUE, HOWEVER CAUSED, WHETHER FOR BREACH OR REPUDIATION OF CONTRACT, TORT, BREACH OF WARRANTY, NEGLIGENCE, OR OTHERWISE, WHETHER OR NOT COMPANY WAS ADVISED OF THE POSSIBILITY OF SUCH LOSS OR DAMAGES. Some states do not allow exclusion or limitation, so this may not apply to you. This warranty gives you specific legal rights, and you may have other rights which vary from state to state.

### EXCLUSIONS TO THE WARRANTY

The Limited Warranty excludes, and Bestop is not liable in any way for any warranty claims, damages, or defects related to:

- Misuse, abuse, accidents, vandalism, negligence, fire, or improper installation or modification, or improper or inadequate maintenance;
- Failure to comply with any Product documentation, Bestop instructions, or applicable law or regulations; use in extreme conditions
- Force Majeure including but not limited to, earthquake, hurricane, tornado, flooding, or other disasters natural or man-made, civil unrest, strikes, declared or undeclared war, or lack of performance by, or discontinued product of, supply chain partners whose products, software, operations or management is beyond the control of Bestop;
- Damage resulting in breakage (including without limitation, spontaneous breakage, accidental breakage or breakage by any other means) of a Product or any component part;
- Damage to vinyl windows due to misuse, or cracking due to varying weather conditions.

### YOUR SOLE REMEDY

During the applicable warranty period, Bestop shall, at its option, either repair or replace any Product that it confirms, in its discretion, is non-compliant with the warranties herein. Bestop will not pay for labor charges associated with installation or removal of the Product. Should a specific Product be discontinued, Bestop may, at its option, replace the discontinued Product with a current product or like product. If Bestop opts to repair or replace your Product as set forth herein, Bestop shall use reasonable efforts to match any patch or replacement to the color and texture of your existing Product. There is no guarantee however, that Bestop will be able to match the color or texture. If Bestop is not able to match the color or texture, it may provide you with a black or neutral colored patch replacement in its discretion.

Please retain your proof of purchase. Original proof of purchase for the Product must accompany any warranty claim. If you have a warranty claim, first you must email Bestop Customer Service at [csbestop@bestop.com](mailto:csbestop@bestop.com) for instructions. All claims must be emailed to [csbestop@bestop.com](mailto:csbestop@bestop.com) within 30 days of discovery of a defective Product, but in no event later than thirty days after the end of the applicable Warranty Period (the “Warranty Notice Period”). Warranty claims made after the Warranty Notice Period are null and void and Bestop shall have no responsibility with respect to such claims.

THIS SECTION SETS FORTH BESTOP’S SOLE OBLIGATION & YOUR SOLE REMEDY WITH RESPECT TO ANY DEFECTS OR OTHER PRODUCT ISSUE. ANY PRODUCTS REPLACED UNDER TERMS OF THIS WARRANTY WILL BE COVERED UNDER TERMS & BALANCE OF THE DURATION OF THE ORIGINAL LIMITED WARRANTY FOR SUCH PRODUCT.





## Warranty Information Trektop Pro

Vehicle Application:  
Jeep® Wrangler JK (2 Door) 2007-2017  
Part Number 54862

**COVERED PRODUCTS AND WARRANTY PERIODS:** The warranty time periods are as follows for Products manufactured by Bestop:

### BESTOP® LIMITED LIFETIME WARRANTY

Trektop® Pro 2 Fabric Top    Sunrider® for Hardtop Twill Fabric Top  
Trektop® NX Glide Twill Fabric Top    Replace-a-Top™ Twill Fabric Top  
Trektop® NX Twill Fabric Top    Supertop® NX Twill Fabric Top  
EZFold™ Soft Tonneaus    Floor & Cargo Liners  
ZipRail™ Soft Tonneaus    Pet Barriers  
EZRoll™ Soft Tonneaus

### BESTOP® 5-YEAR LIMITED WARRANTY

Trektop® NX Glide™ Top (non-Twill)    Sunrider® for Hardtop (non-Twill)  
Replace-a-Top™ Top (non-Twill)    Trektop® NX Top (non-Twill)  
Sailcloth Replace-a-Top™    Supertop® NX Top (non-Twill)  
Tigertop™ and Halftop™    Supertop® Classic Soft Top  
Sunrider® Complete Soft Top    Supertop® for Truck  
EZ Fold Hard Tonneau

### BESTOP® 3-YEAR/100K MILES LIMITED WARRANTY

Powerboard® & Powerboard® NX  
Trekstep®, Side Mount  
Trekstep®, Rear Mount

### BESTOP® 3-YEAR LIMITED WARRANTY

Pavement Ends Sprint Top

### BESTOP® 2-YEAR LIMITED WARRANTY

Trektop® Classic Soft Top  
RoughRider™ Soft Storage

### BESTOP® 1-YEAR LIMITED WARRANTY

All other Bestop® & Pavement Ends™ products not specified above.

**For further information or request for warranty work, please contact:**

**Bestop Inc. Customer Service**  
**Toll-Free: (800)845-3567**  
**E-mail: [csbestop@Bestop.com](mailto:csbestop@Bestop.com)**  
**Website: [www.Bestop.com](http://www.Bestop.com)**