



Installation Instructions


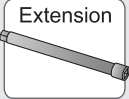
TrekStep™

Vehicle Application

- Dodge Ram 1500 (with Dual Exhaust)
2009 – Current
Part Number: 75310-15

Note: Driver's side installation shown. Passenger side uses the same steps to install.

www.bestop.com - We're here to help! Visit our web site and click on ["Ask a Question"](#). Click here for more [Truck Accessories by Bestop](#).

INSTALLATION TIME	SKILL LEVEL			
 1/2 Hour	 1 - Easy			
TOOLS				
 Ratchet	 Extension	 Socket 15 mm and 17 mm	 Allen Wrench 3/16"	 Wrench 10 mm
 Safety Glasses				



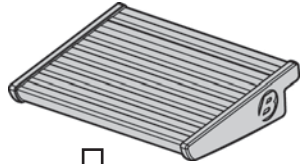
! WARNING Do not rely in any way on the components of this product to protect against injury or death in the event of an accident. Never operate the vehicle in excess of manufacturer's specifications.

WEAR SEAT BELTS AT ALL TIMES

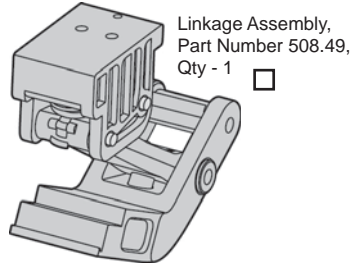
Read and follow, precisely, all installation instructions provided when installing product. Failure to do so may result in a poor fit and could place occupants of the vehicle in a potentially dangerous situation.

TrekStep™ – Installation Instructions

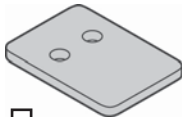
Parts List and Hardware Identification



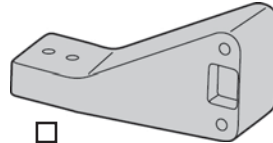
Running Board Assembly,
Part Number 508.47, Qty - 1



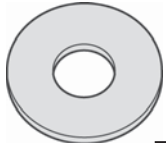
Linkage Assembly,
Part Number 508.49,
Qty - 1



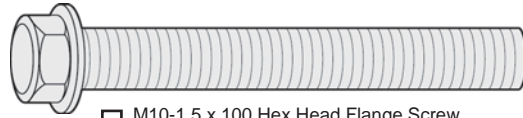
1/4" Spacer, Part
Number 487.64,
Qty - 2



Mounting Bracket, Part
Number 508.48, Qty - 1



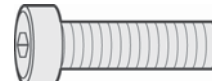
M10 Washer, Part
Number 473.20, Qty - 2



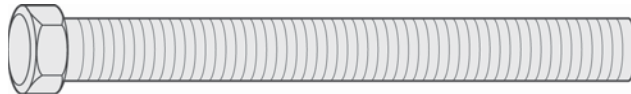
M10-1.5 x 100 Hex Head Flange Screw,
Part Number 508.50, Qty - 2



M10-1.5 x 65 Partial Thread Hex Head Screw, Part
Number 476.02, Qty - 2



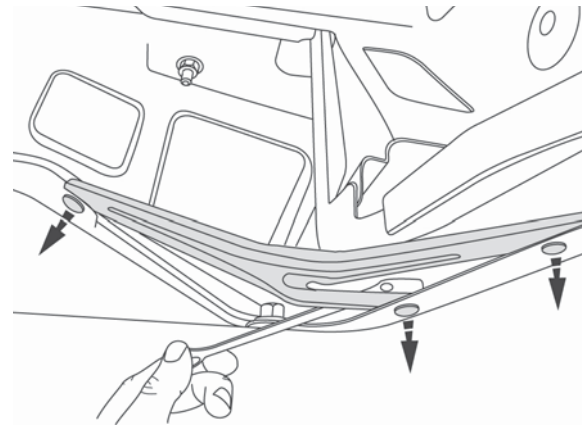
M6-1.0 x 20 Socket Cap
Screw, Part Number
470.00, Qty - 2



M10-1.5 x 75 Hex Head Screw, Part Number 488.02, Qty - 2

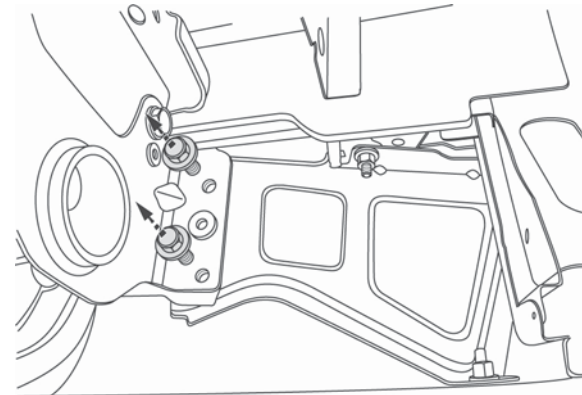
1 Remove Bumper Mount Bracket

Use a 10 mm wrench to remove the rear bumper mount bracket on the driver's side.



2 Remove Rear Bumper Attachment Bolts

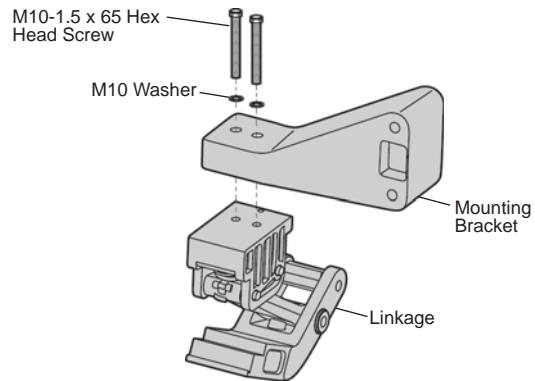
Remove the bumper fasteners and discard.



TrekStep™ – Installation Instructions

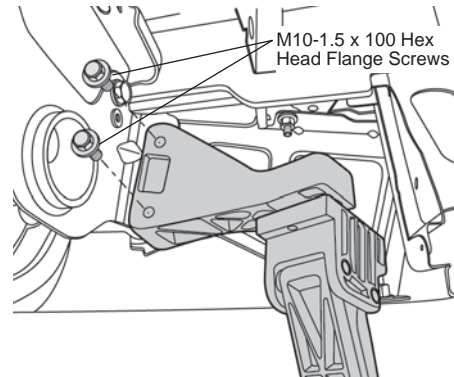
3 Assemble Linkage to Mounting Bracket

Assemble the Mounting Bracket to the Linkage.



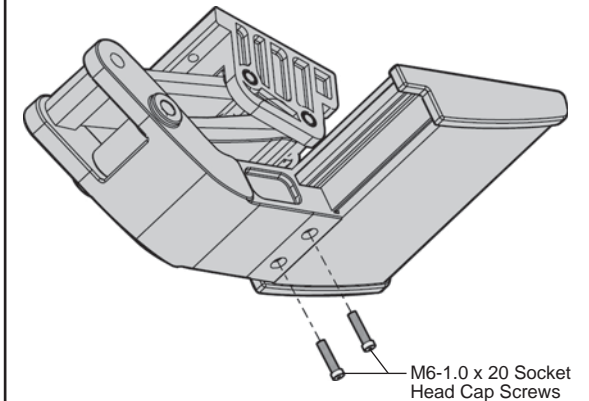
4 Install Linkage Assembly

Slide the holes in the Mounting Bracket over the studs on the vehicle. Install the M10-1.5 x 100 Hex Head Flange Screws.



5 Install Step

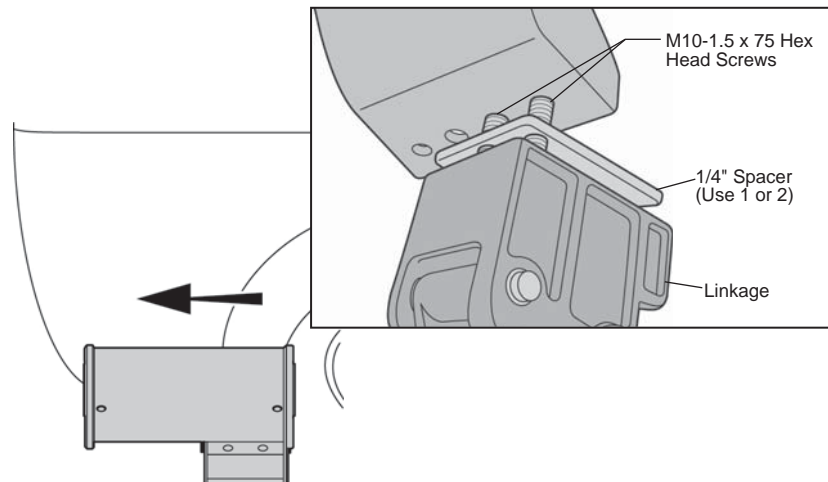
Use the M6-1.0 x 20 Socket Head Cap Screws to mount the Step to the Linkage Assembly.



6 Adjust Step

The Step must be adjusted all the way to the left on the driver's side and all the way to the right on the passenger side. Make sure to leave clearance for foot access to lower step. Tighten the allen head bolts.

If the step is hitting the vehicle or if you want it to be lower add one or two of the supplied spacers. Remove the M10-1.5 X 65 screw installed in Step 3. Place shims between the Linkage and Mounting bracket and reattach using the M10-1.5 X 75 Hex Head Screws.



TrekStep™ – Installation Instructions

Operation

- The TrekStep™ is foot operated and deploys and retracts with a nudge of your foot.
- To deploy, press down using your left foot, on the forward outside corner of the step pad.
- To retract, gently kick the underside of the step pad.
- Max Load Capacity: 300 lbs.
- Always use appropriate hand holds when stepping up to or down from your truck's cargo bed.

Care and Maintenance

The step pad surface and linkage arms should be washed with mild soap and water using a soft brush or sponge to dislodge any mud, dirt or accumulated road grime. Rinse with fresh water. After it is dry, lubricate the hinge with 3-IN-ONE Oil.

To prevent slipping, avoid applying waxes, lubricants or protectants like Armor All® to the step surface.

Attention!

TrekStep™ SHOULD ALWAYS BE STOWED IN THE RETRACTED POSITION WHEN DRIVING.

LIMITED WARRANTY

We warrant our product to be free from defects in material and workmanship, for the terms specified below, provided there has been normal use and proper maintenance. This warranty applies to the original purchaser only. All remedies under this warranty are limited to the repair or replacement of any item or items found by the factory to be defective within the time period specified. If you have a warranty claim, first you must call our factory at the number below for instructions. You must retain proof of purchase and submit a copy with any items returned for warranty work. Upon completion of warranty work, if any, we will return the repaired or replaced item or items to you freight prepaid. Damage to our products caused by accidents, fire, vandalism, negligence, misinstallation, misuse, Acts of God, or by defective parts not manufactured by us, is not covered under this warranty.

THE WARRANTY TIME PERIOD IS AS FOLLOWS FOR ALL TrekSteps™ MANUFACTURED BY OUR COMPANY: THREE YEARS / 36,000 MILES FROM DATE OF PURCHASE.

ANY IMPLIED WARRANTIES OF MERCHANTABILITY AND/OR FITNESS FOR A PARTICULAR PURPOSE CREATED HEREBY ARE LIMITED IN DURATION TO THE SAME DURATION AND SCOPE AS THE EXPRESS WRITTEN WARRANTY. OUR COMPANY SHALL NOT BE LIABLE FOR ANY INCIDENTAL OR CONSEQUENTIAL DAMAGE.

Some states do not allow limitations on how long an implied warranty lasts, or the exclusion or limitation of incidental or consequential damages, so the above limitations or exclusions may not apply to you. This warranty gives you specific legal rights, and you may also have other rights which vary from state to state.



For further information or request for warranty work, please contact:
Bestop Inc. Customer Service
Toll-Free: (800)845-3567
Main: (303)465-1755
E-mail: csbestop@Bestop.com
Website: www.Bestop.com
