



Installation Instructions TrekStep Side-Mount™

Vehicle Application:
Dodge 2500 Passenger Side
Fits 6.4' and 8' Beds 2014- Current
Part Number 75414

Installation Tips

Before you begin installing your new TrekStep Side-Mount™, please read all the instructions thoroughly, and watch the Bestop installation video. (See Support section on this page).






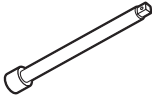





WARNING Do not rely in any way on the components of this product to protect against injury or death in the event of an accident. Never operate the vehicle in excess of manufacturer's specifications.

Read and follow, precisely, all installation instructions provided when installing this product. Failure to do so may result in a poor fit and could place occupants of the vehicle in a potentially dangerous situation.



WEAR SEAT BELTS AT ALL TIMES

CAUTION Safety glasses should be worn at all times when installing this product.

Tools			Installation Time	Support
 8mm - 3/16" Allen Wrenches	 13mm Wrench	 Socket Wrench	 30 Minutes	We're here to help! Go to www.Bestop.com and click on "Contact Us"
 Safety Glasses	 Extension	 18mm - 13mm - 3/16" Sockets	Skill Level     1 - Easy	

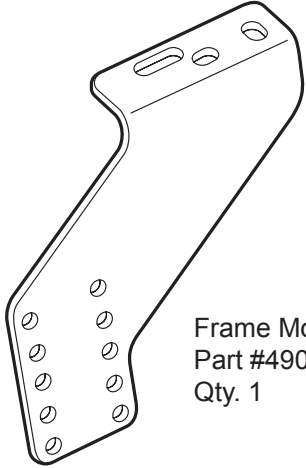
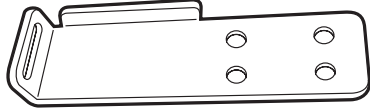
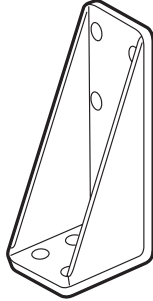

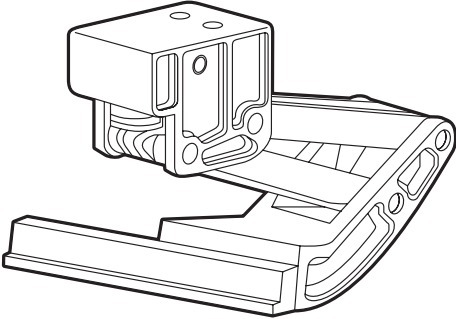
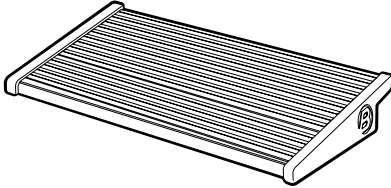
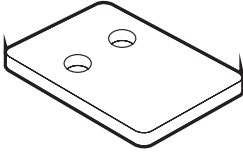


Installation Instructions TrekStep Side-Mount™

Vehicle Application:
Dodge 2500 Passenger Side
Fits 6.4' and 8' Beds 2014- Current
Part Number 75414-15

Parts List

- Required parts for installation

Sections 1 & 2		Install Cable Brackets & Pivot Brackets		Pages 5 & 6 of Guide	
	Frame Mount Part #490.79 Qty. 1		Cross Bar Mount Part #487.12 Qty. 1		Frame Mount Foot Part #490.78 Qty.1
					Small Side Bracket Fits 2500 2014-Current Only Part #507.48 Qty. 1
Sections 3 & 4		Install Door Surrounds & Top Arch		Pages 7 & 8 of Guide	
	Linkage Assembly Part #484.89 Qty. 1		Running Board Assembly Part #514.10 Qty. 1		1/4" Spacer Part #487.64 Qty. 2



Installation Instructions TrekStep Side-Mount™

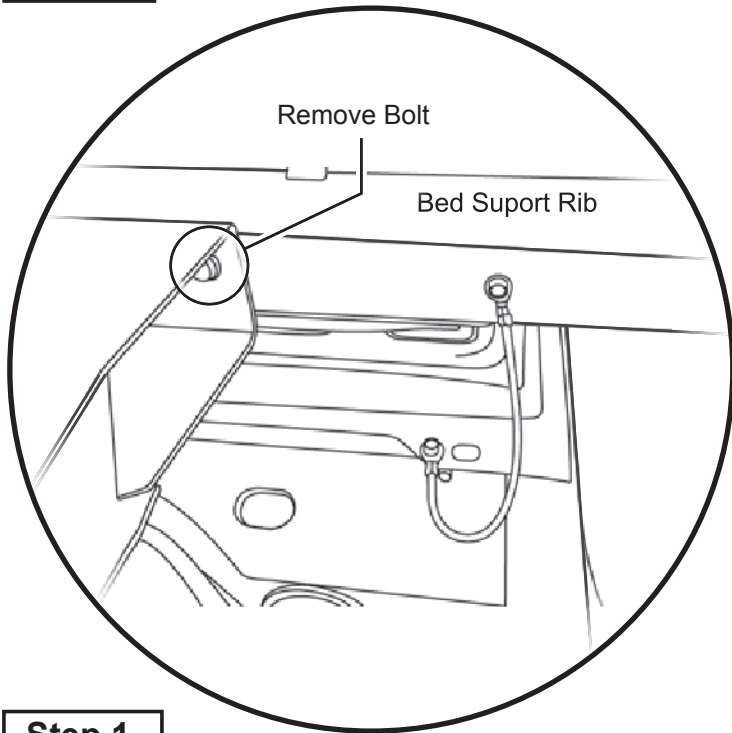
Vehicle Application:
Dodge 2500 Passenger Side
Fits 6.4' and 8' Beds 2014- Current
Part Number 75414-15

Parts List

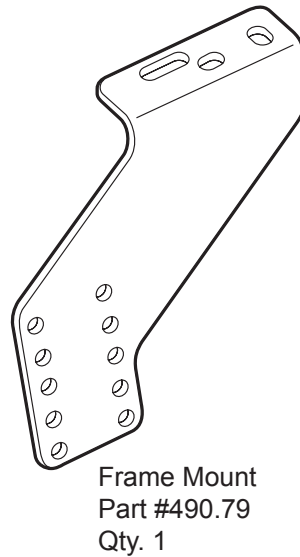
- Required parts for installation

All Sections	Fastener Hardware		
	10mm Split Lock Washer Part #481.59 Qty. 3		M10-1.5 x 75mm Hex Head Bolt Part # 488.02 Qty. 1
	12mm Flat Washer Part #482.13 Qty. 1		#M12-1.75 x 30mm Hex Head Bolt Part # 490.84 Qty. 1
	M10-1.5 Hex Nut Part #487.68 Qty. 2		M10-1.5x45mm Hex Head Bolt Part #485.38 Qty. 2
	M10-1.5 Nylon Lock Nut Part #484.92 Qty. 4		M10-1.5 x 30mm Hex Head Bolt Part # 484.94 Qty. 4
	M6-1.0 x 20mm Socket Cap Screw Part # 470.00 Qty. 4		M6-1.0 x 20mm Socket Cap Screw Part # 470.00 Qty. 4

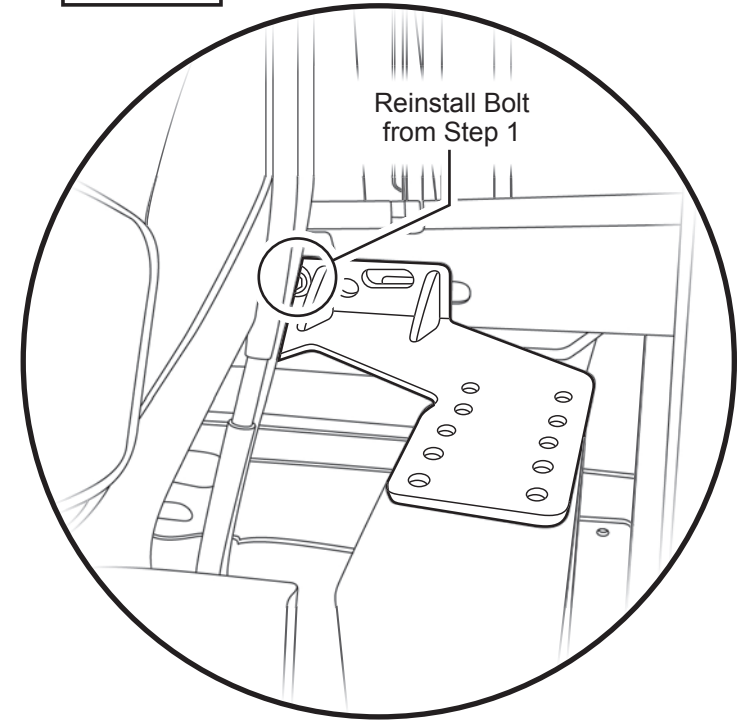
Step 1



Hardware



Step 2



Step 1

Locate the bed support rib closest to the cab under the truck bed.

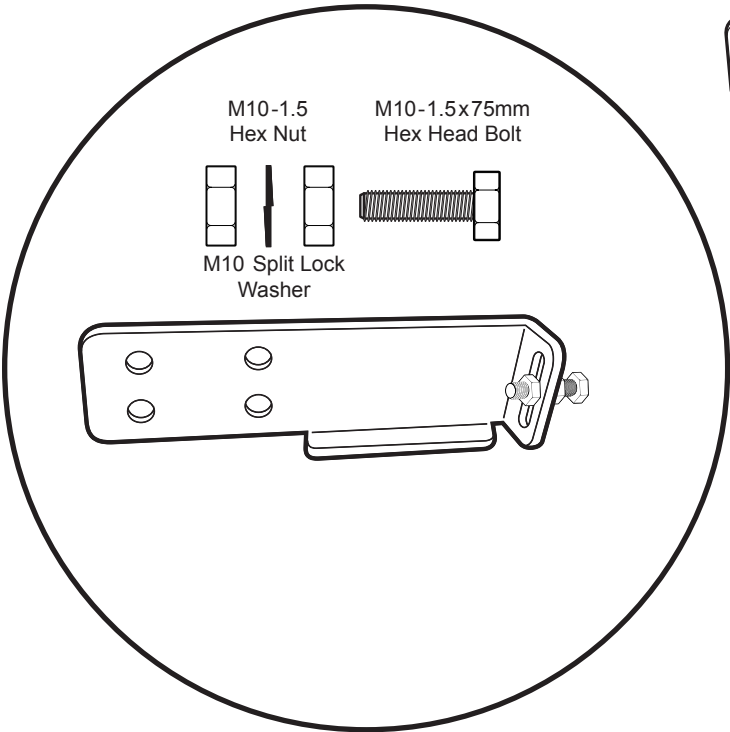
Remove the frame to bed bolt. Save this bolt for reinstallation later.

Step 2

Orient the Frame Mount with the foot toward the front of the vehicle. Align the rear hole in the Frame Mount with the threaded hole where the frame bolt was removed. Reinstall the frame mount bolt.

NOTE Frame mount angle should be going toward the vehicle cab.

Step 1	487.12	488.02	487.68	481.59
---------------	--------	--------	--------	--------

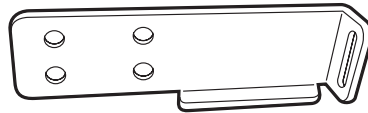


Step 1

Thread an M10-1.5 Hex Nut onto an M10-1.5x75mm Hex Head Bolt. Thread the bolt through the slot in the bent tab of the Cross Bar Mount and install another M10-1.5 Hex Nut and M10 Split Lock Washer on the other side of the tab.

Leave both nuts loose, as they will be adjusted later in the installation process.

Hardware



Cross Bar Mount
Part #487.12
Qty. 1



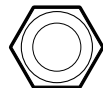
M10-1.5x75mm
Hex Head Bolt
Part #488.02
Qty. 1



M10-1.5
Hex Nut
Part #487.68
Qty. 2



10mm Split Lock Washer
Part #481.59
Qty. 1

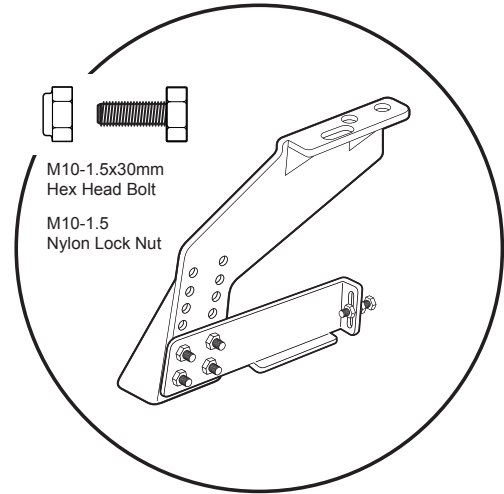


M10-1.5
Nylon Lock Nut
Part #484.92
Qty. 4

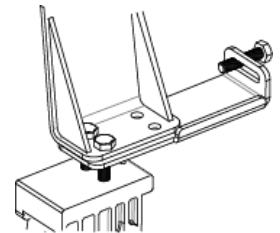


M10-1.5x30mm
Hex Head Bolt
Part #484.94
Qty. 4

Step 2	484.94	484.92
---------------	--------	--------



If cross bar interferes with spring shackle install on bottom of frame mount



Step 2

Use the bottom four holes on the Frame Mount to assemble the Cross Bar Mount to the Frame Mount Foot using four (4) M10-1.5x30mm Hex Bolts and four (4) M10-1.5 Nylon Lock Nuts.

Extra holes in the Frame Mount allow for adjustment.

NOTE: On some vehicles the cross bar mount may interfere with the spring shackle, if that is the case, cross bar mount will need to be installed on bottom of frame mount before linkage assembly is installed in next step.

Once installation is complete, adjust the Frame Mount up or down as needed for Running Board to fit closer to vehicle body.

Step 1

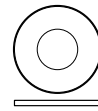
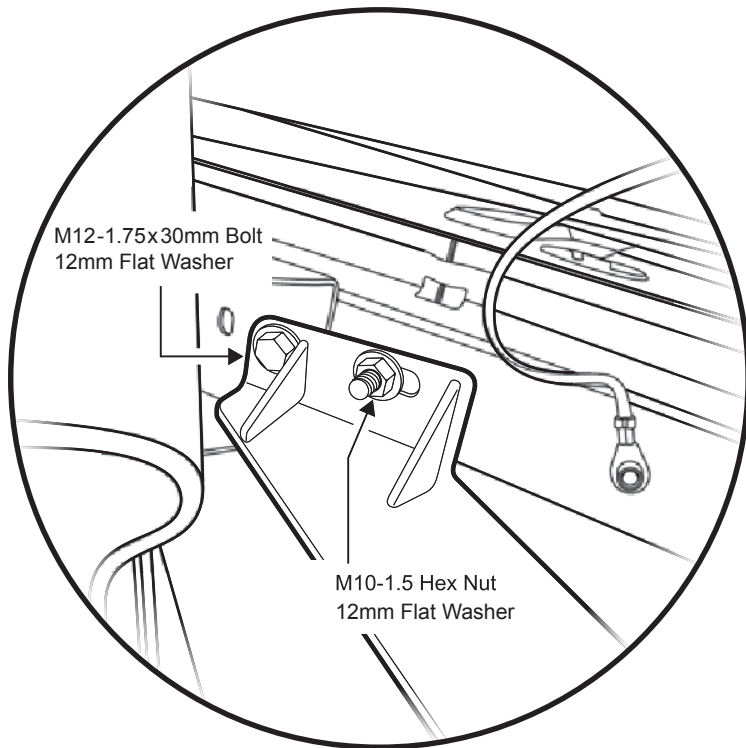
482.13

490.84

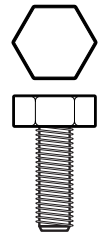
484.94

Hardware

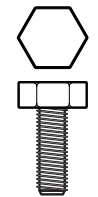
Step 2



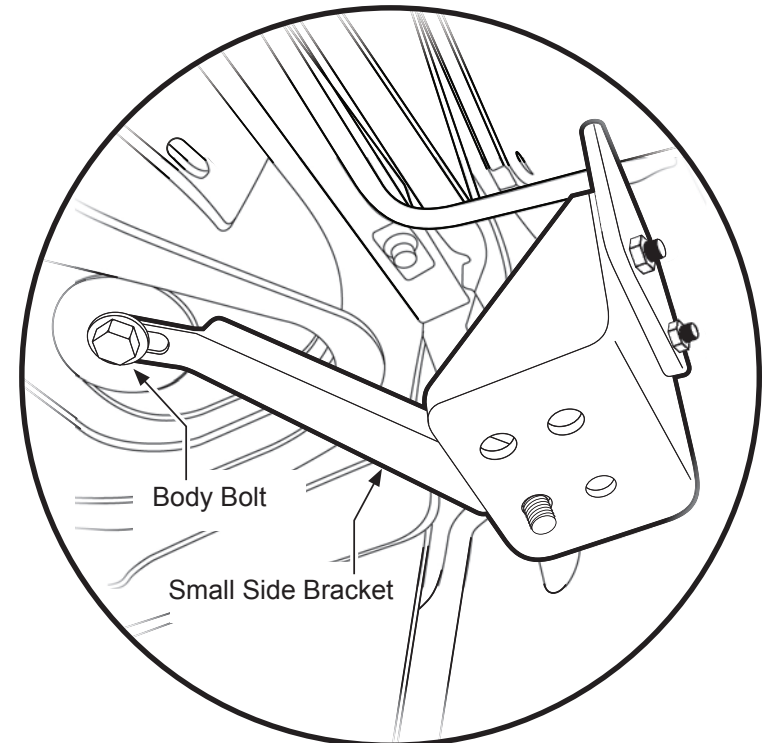
12mm Flat Washer
Part #482.13
Qty. 1



M12-1.75x30mm
Hex Head Bolt
Part #490.84
Qty. 1



M10-1.5x30mm
Hex Head Bolt
Part #484.94
Qty. 1



Step 1

Install an M12-1.75x30mm Hex Head Bolt with 12mm Flat Washer into the tapped hole in the bed support rib.

Thread an M10-1.5 Hex Nut and 12mm Flat Washer onto the protruding stud.

Step 2

Loosen the bolt on the vehicle body mount. Slide the open end of the Small Side Bracket between the bolt head and the large washer.

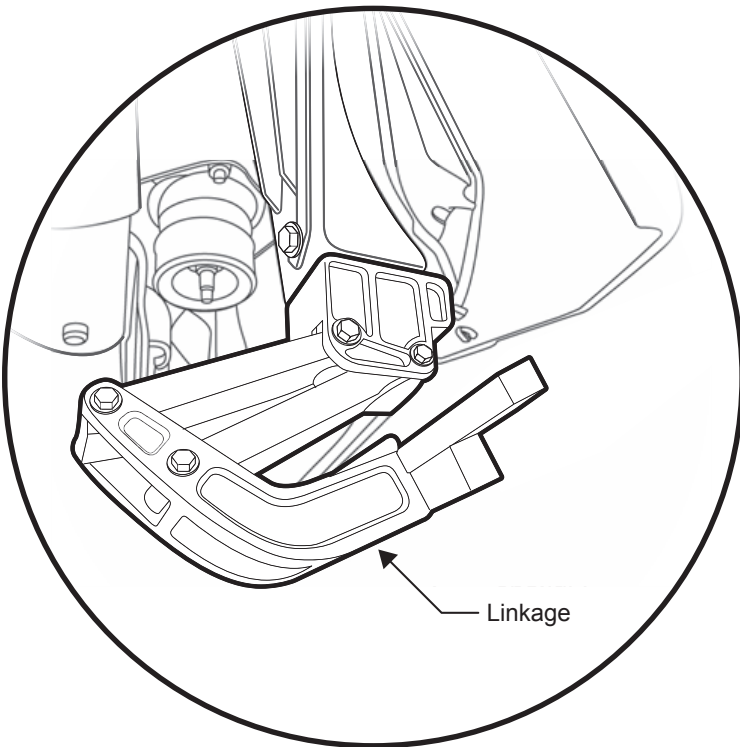
Use an M10-1.5x30mm bolt to attach the other end of the Small Side Bracket to the Frame Mount.

Tighten the body bolt.

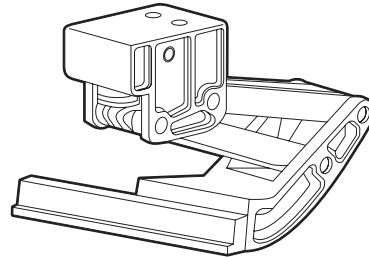
Step 1

484.89

485.38

**Step 1**

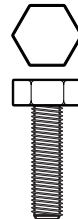
Attach the Linkage Assembly to the bottom of the Mounting Bracket with two (2) M10-1.5x45mm Hex Head Bolts and two (2) 10mm Split Lock Washers.

Hardware

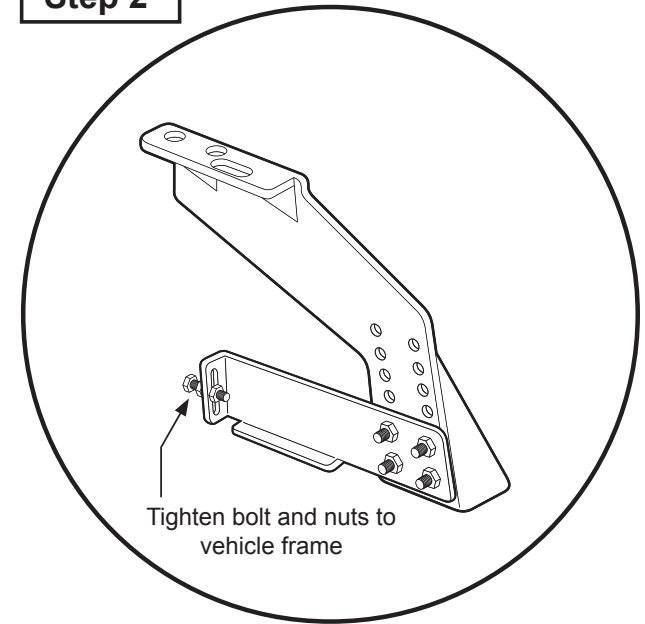
Linkage Assembly
Part #484.89
Qty. 1



10mm Split Lock Washer
Part #481.59
Qty. 2



M10-1.5x45mm
Hex Head Bolt
Part #485.38
Qty. 2

Step 2

Tighten bolt and nuts to
vehicle frame

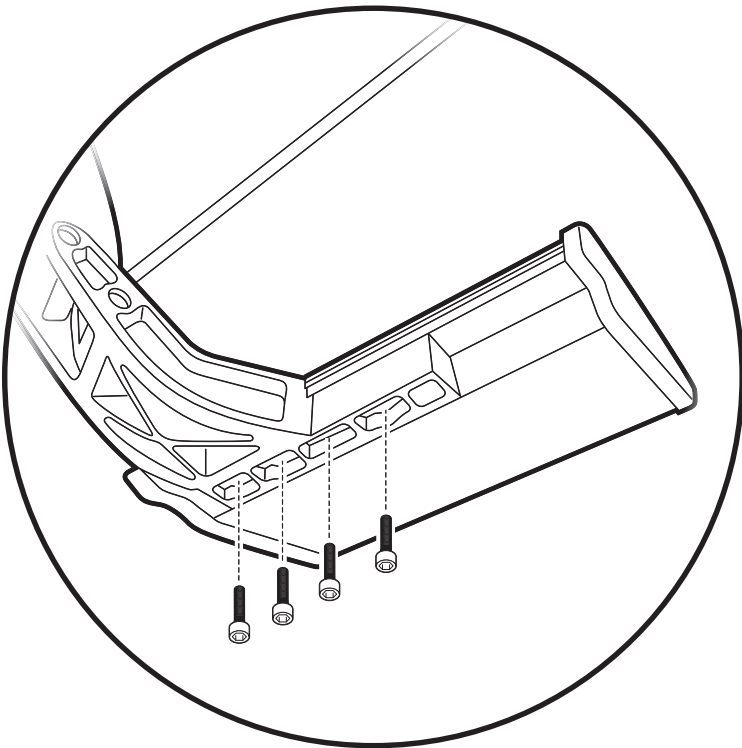
Step 2

Adjust the bolt on the Cross Bar Mount until the vehicle frame is sandwiched between the two hex nuts.

Tighten the bolt against the vehicle frame, and tighten both nuts against the Cross Bar Mount.

Once the bolt is tight against the vehicle frame, loosen the nuts and rotate the bolt another 1/4 turn for correct pressure on the mount.

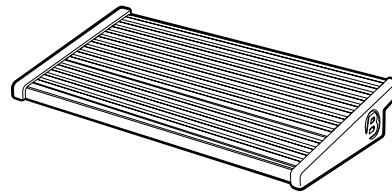
Step 1	514.10	470.00	487.64
--------	--------	--------	--------



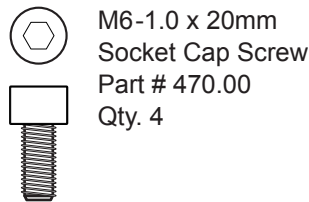
Step 1

Attach the Running Board Assembly Part #514.10 to the Linkage Assembly with four (4) M6-1.0x20mm Socket Head Cap Screws Part #470.00.

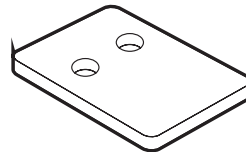
Hardware



Running Board Assembly
Part #514.10
Qty. 1

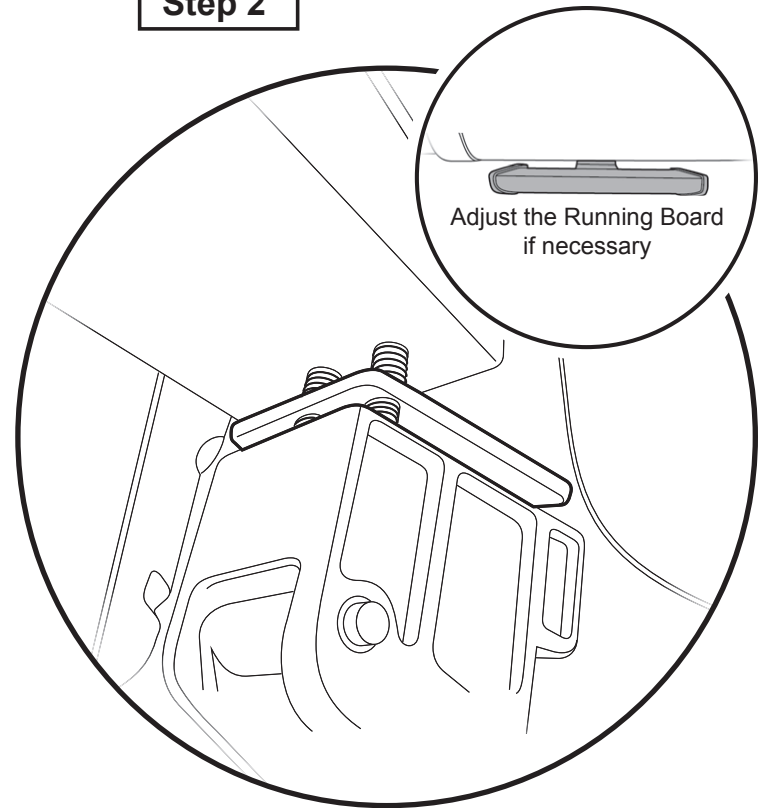


M6-1.0 x 20mm
Socket Cap Screw
Part # 470.00
Qty. 4



1/4" Spacer
Part #487.64
Qty. 2

Step 2



Step 2

Once the Running Board is installed on the vehicle, you may adjust it as desired.

If necessary to adjust the height, use the 1/4" spacers provided. Remove the M10-1.4x45mm Bolts holding the Linkage to the Frame Mount, and place one or two spacers in between the Frame Mount and Linkage as necessary. Reinstall the bolts.

NOTE Make sure the Running Board is level with the vehicle body when it is in the up position. If it is not level, you may have to adjust the Side Mount by selecting the holes that level the Running Board.



Installation Instructions TrekStep Side-Mount™

Vehicle Application:
Dodge 2500 Passenger Side
Fits 6.4' and 8' Beds 2014- Current
Part Number 75414-15

Operation

- The TrekStep™ is foot operated and deploys and retracts with a nudge of your foot.
- To deploy, press down using your foot, on the forward outside corner of the step pad.
- To retract, gently kick the underside of the step pad.
- Max Load Capacity: 400 lbs.
- Always use appropriate hand holds when stepping up to or down from your truck's cargo bed.

Care and Maintenance

The step pad surface and linkage arms should be washed with mild soap and water using a soft brush or sponge to dislodge any mud, dirt or accumulated road grime. Rinse with fresh water. After it is dry, lubricate the hinge with 3-IN-ONE Oil.

To prevent slipping, avoid applying waxes, lubricants or protectants like Armor All® to the step surface.

Attention!

TrekStep™ SHOULD ALWAYS BE STOWED IN THE RETRACTED POSITION WHEN DRIVING.

LIMITED WARRANTY

We warrant our product to be free from defects in material and workmanship, for the terms specified below, provided there has been normal use and proper maintenance. This warranty applies to the original purchaser only. All remedies under this warranty are limited to the repair or replacement of any item or items found by the factory to be defective within the time period specified. If you have a warranty claim, first you must call our factory at the number below for instructions. You must retain proof of purchase and submit a copy with any items returned for warranty work. Upon completion of warranty work, if any, we will return the repaired or replaced item or items to you freight prepaid. Damage to our products caused by accidents, fire, vandalism, negligence, misinstallation, misuse, Acts of God, or by defective parts not manufactured by us, is not covered under this warranty.

THE WARRANTY TIME PERIOD IS AS FOLLOWS FOR ALL TrekSteps™ MANUFACTURED BY OUR COMPANY: THREE YEARS / 36,000 MILES FROM DATE OF PURCHASE.

ANY IMPLIED WARRANTIES OF MERCHANTABILITY AND/OR FITNESS FOR A PARTICULAR PURPOSE CREATED HEREBY ARE LIMITED IN DURATION TO THE SAME DURATION AND SCOPE AS THE EXPRESS WRITTEN WARRANTY. OUR COMPANY SHALL NOT BE LIABLE FOR ANY INCIDENTAL OR CONSEQUENTIAL DAMAGE.

Some states do not allow limitations on how long an implied warranty lasts, or the exclusion or limitation of incidental or consequential damages, so the above limitations or exclusions may not apply to you. This warranty gives you specific legal rights, and you may also have other rights which vary from state to state.

For further information or request for warranty work, please contact:

Bestop Inc. Customer Service
Toll-Free: (800)845-3567
Main: (303)465-1755
E-mail: csbestop@Bestop.com
Website: www.Bestop.com