



Installation Instructions TrekStep Side-Mount™

Vehicle Application

- Ford F150 Super Crew Cab
2015 – Current
Part Number: 75416-15
Fits Passenger Side Only

www.bestop.com - We're here to help! Visit our web site and click on "Ask a Question". Click here for more [Truck Accessories by Bestop](#).

INSTALLATION TIME	SKILL LEVEL			
 1/2 Hour	 1 - Easy			
TOOLS				
 Ratchet	 Extension	 Socket 17 mm and 20 mm	 Allen Wrench 8 mm, 3/16"	 Safety Glasses



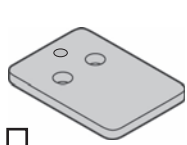
⚠ WARNING Do not rely in any way on the components of this product to protect against injury or death in the event of an accident. Never operate the vehicle in excess of manufacturer's specifications.

WEAR SEAT BELTS AT ALL TIMES

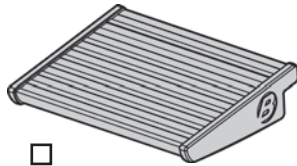
Read and follow, precisely, all installation instructions provided when installing product. Failure to do so may result in a poor fit and could place occupants of the vehicle in a potentially dangerous situation.

TrekStep Side-Mount™ – Installation Instructions

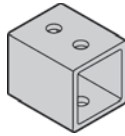
Parts List and Hardware Identification



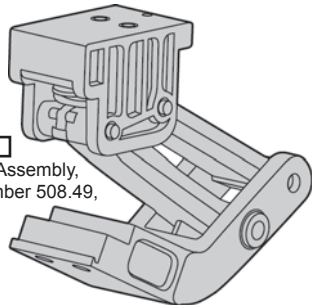
□ 1/4" Spacer, Part Number 487.64, Qty - 2



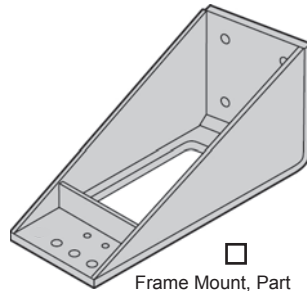
□ Running Board Assembly, Part Number 515.22, Qty - 1



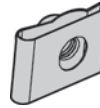
□ 2" x 2" Spacer, Part Number 500.22, Qty - 1



□ Linkage Assembly, Part Number 508.49, Qty - 1



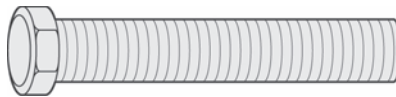
□ Frame Mount, Part Number 517.37, Qty - 1



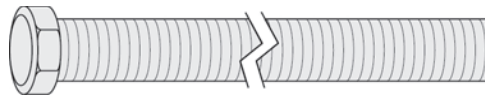
□ M10 U-Nut, Part Number 517.36, Qty - 4



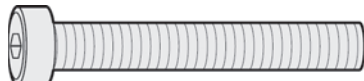
□ M10 Flat Washer, Part Number 473.20, Qty - 6



□ M10-1.5 x 45mm Hex Bolt, Part Number 487.20, Qty - 6



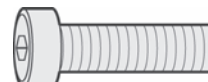
□ M10-1.5 x 90mm Hex Bolt, Part Number 500.21, Qty - 2



□ M6-1.0 x 40 Socket Cap Screw, Part Number 517.39, Qty - 1



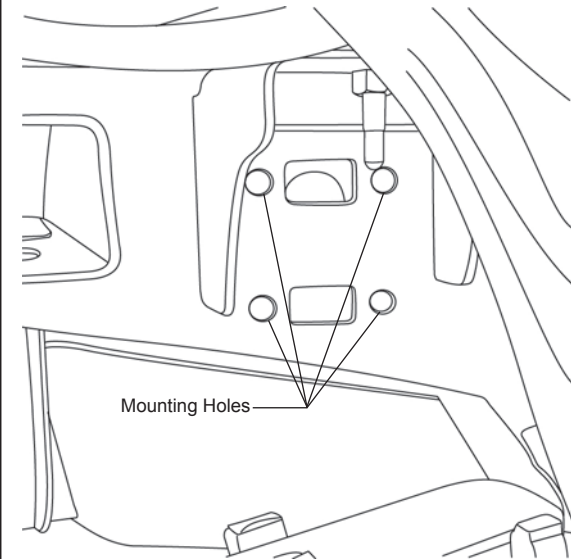
□ M6 Flat Washer, Part Number 489.68, Qty - 1



□ M6-1.0 x 20 Socket Cap Screw, Part Number 470.00, Qty - 2

1 Locate Mounting Holes on Frame

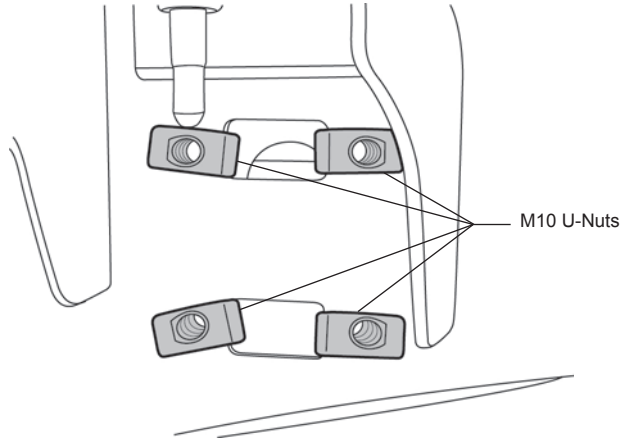
Locate the four (4) mounting holes in the frame. They are located just above the front leaf spring mount.



TrekStep Side-Mount™ – Installation Instructions

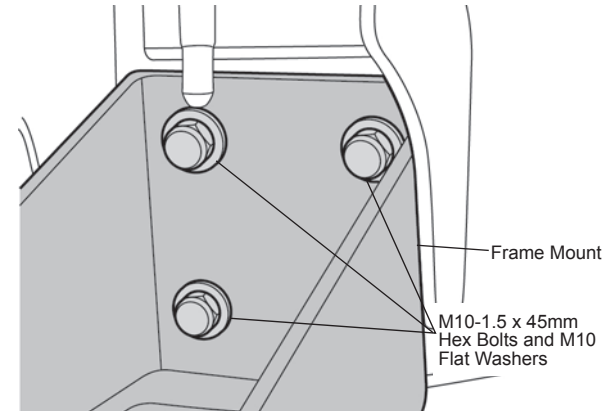
2 Install U-Nuts

Install the M10 U-Nuts in the mounting holes.



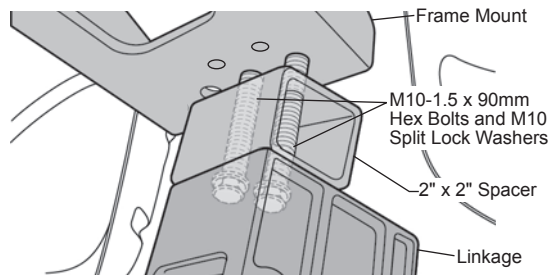
3 Install Frame Mount

Align the holes in the Frame Mount with the U-Nuts. Use four (4) M10-1.5 x 45mm Hex Bolts and four (4) M10 Flat Washers to secure the mount to the frame.



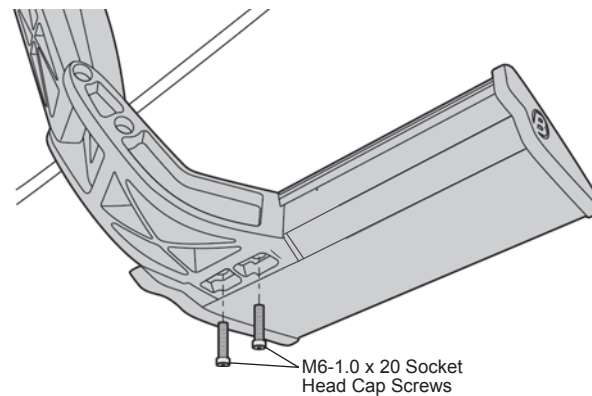
4 Install Linkage

Place the 2" x 2" Spacer between the Frame Mount and the Linkage. Use two (2) M10-1.5 x 90mm Hex Bolts and M10 Washers to mount the Linkage and Spacer to the Frame Mount. Use the two (2) mounting holes closest to the cab.



5 Install Step

Use the M6-1.0 x 20 Socket Head Cap Screws to mount the Step to the Linkage Assembly.



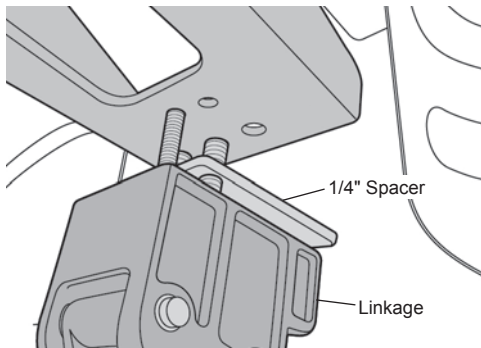
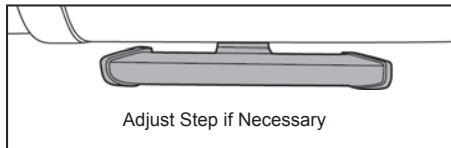
TrekStep Side-Mount™ – Installation Instructions

6 Step Adjustment

Once the Step is installed on the vehicle, you may adjust it as desired.

If necessary to adjust the height, use the two (2) 1/4" Spacers provided. Remove the M10-15 x 45mm Hex Bolts installed in Step 4 and place the 1/4" Spacers between the Frame Mount and the Linkage. Reinstall the Hex Bolts.

When the Step is in the desired position tighten all nuts.



Operation

- The TrekStep™ is foot operated and deploys and retracts with a nudge of your foot.
- To deploy, press down using your foot, on the forward outside corner of the step pad.
- To retract, gently kick the underside of the step pad.
- Max Load Capacity: 400 lbs.
- Always use appropriate hand holds when stepping up to or down from your truck's cargo bed.

Care and Maintenance

The step pad surface and linkage arms should be washed with mild soap and water using a soft brush or sponge to dislodge any mud, dirt or accumulated road grime. Rinse with fresh water. After it is dry, lubricate the hinge with 3-IN-ONE Oil. To prevent slipping, avoid applying waxes, lubricants or protectants like Armor All® to the step surface.

Attention!

TrekStep™ SHOULD ALWAYS BE STOWED IN THE RETRACTED POSITION WHEN DRIVING.

TrekStep Side-Mount™ – Installation Instructions

LIMITED WARRANTY

We warrant our product to be free from defects in material and workmanship, for the terms specified below, provided there has been normal use and proper maintenance. This warranty applies to the original purchaser only. All remedies under this warranty are limited to the repair or replacement of any item or items found by the factory to be defective within the time period specified. If you have a warranty claim, first you must call our factory at the number below for instructions. You must retain proof of purchase and submit a copy with any items returned for warranty work. Upon completion of warranty work, if any, we will return the repaired or replaced item or items to you freight prepaid. Damage to our products caused by accidents, fire, vandalism, negligence, misinstallation, misuse, Acts of God, or by defective parts not manufactured by us, is not covered under this warranty.

THE WARRANTY TIME PERIOD IS AS FOLLOWS FOR ALL TrekSteps™ MANUFACTURED BY OUR COMPANY: THREE YEARS / 36,000 MILES FROM DATE OF PURCHASE.

ANY IMPLIED WARRANTIES OF MERCHANTABILITY AND/OR FITNESS FOR A PARTICULAR PURPOSE CREATED HEREBY ARE LIMITED IN DURATION TO THE SAME DURATION AND SCOPE AS THE EXPRESS WRITTEN WARRANTY. OUR COMPANY SHALL NOT BE LIABLE FOR ANY INCIDENTAL OR CONSEQUENTIAL DAMAGE.

Some states do not allow limitations on how long an implied warranty lasts, or the exclusion or limitation of incidental or consequential damages, so the above limitations or exclusions may not apply to you. This warranty gives you specific legal rights, and you may also have other rights which vary from state to state.



For further information or request for warranty work, please contact:
Bestop Inc. Customer Service
Toll-Free: (800)845-3567
Main: (303)465-1755
E-mail: csbestop@Bestop.com
Website: www.Bestop.com