



# Installation Instructions TrekStep

Vehicle Application:  
Chevrolet Silverado / GMC Sierra 1999-2007 (Classic)  
Part Number 75501

## Installation Tips

Before you begin installing your new TrekStep, please read all the instructions thoroughly.

It is recommended that two people install this Bestop product.




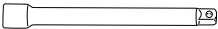






**! WARNING** Do not rely in any way on the components of this product to protect against injury or death in the event of an accident. Never operate the vehicle in excess of manufacturer's specifications.

Read and follow, precisely, all installation instructions provided when installing this product. Failure to do so may result in a poor fit and could place occupants of the vehicle in a potentially dangerous situation.

**! CAUTION** Safety glasses should be worn at all times when installing this product.



**WEAR SEAT BELTS AT ALL TIMES**

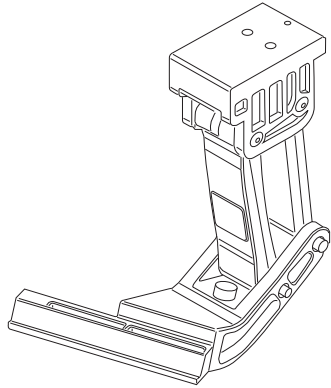
Tools	Installation Time	Support
 Safety Glasses  8mm & 3/16" Allen Wrench  Ratchet  Extension  18mm Socket	<p data-bbox="1050 1117 1371 1182"><b>0 30</b> 30 Minutes</p> <p data-bbox="1129 1268 1289 1300">Skill Level</p> <p data-bbox="1031 1333 1377 1446">       <b>1 - Easy</b> </p>	<p data-bbox="1556 1081 1860 1179">We're here to help! Go to:  <a href="https://www.bestop.com">https://www.bestop.com</a>            and click on Need Help?</p>  <p data-bbox="1514 1430 1898 1455"><a href="https://www.bestop.com/video-library">https://www.bestop.com/video-library</a></p>



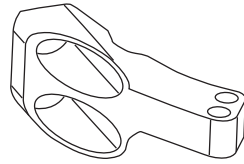
# Installation Instructions TrekStep

Vehicle Application:  
Chevrolet Silverado / GMC Sierra 1999-2007 (Classic)  
Part Number 75501

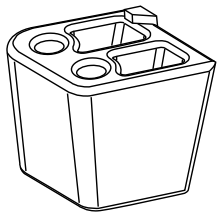
## Parts List



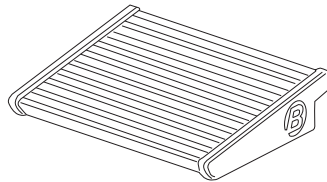
Linkage Assy  
Part #476.01  
Qty. 1



Mounting Bracket  
Part #476.26  
Qty. 1



Spacer  
Part #476.25  
Qty. 1



Running Board Assy  
Part #514.10  
Qty. 1

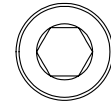
### 500.98 Hardware Kit



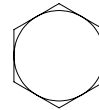
M6 x 18mm Screw  
Part #588.03  
Qty. 3



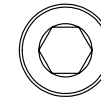
M12 Flat Washer  
Part #485.02  
Qty. 2



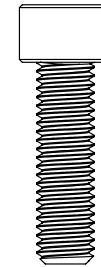
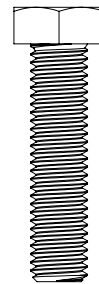
M10 x 80mm Screw  
Part #475.95  
Qty. 2  
Not Used on HD  
Vehicles



M12 x 50mm Hex Head  
Screw  
Part #632.06  
Qty. 2



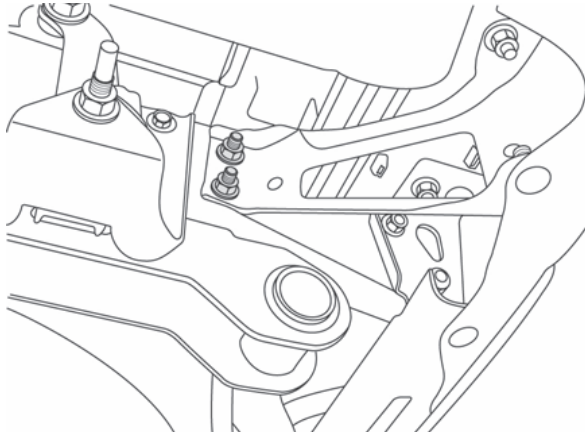
M10 x 35mm Screw  
Part #475.98  
Qty. 2  
2500/3500 HD  
Models Only



Loctite  
Part #309.83  
Qty. 1

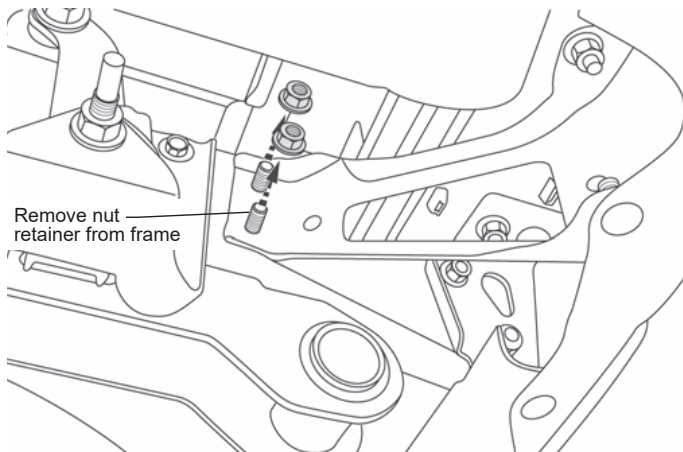
## 1 Locate Rear Bumper Attachment

Locate the rear bumper attachment point on the driver's side of the vehicle.



## 2 Install Motor Linkage

Remove the two (2) bumper nuts. Set them aside to be reused. Remove the U-shaped nut retainer from the frame.

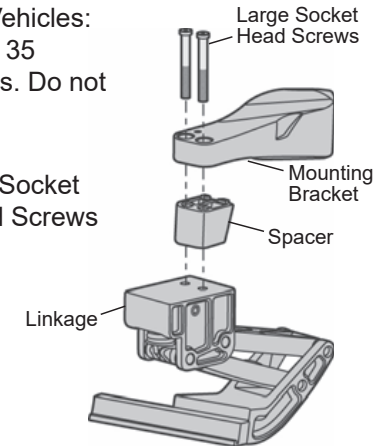


## 3 Assemble Linkage to Mounting Bracket

Assemble the Mounting Bracket to the Linkage.

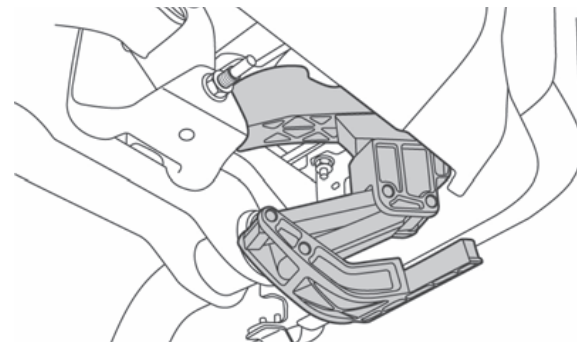
2500 & 3500 HD Vehicles:  
Use the M10-1.5 x 35  
Socket Cap Screws. Do not  
use the Spacer.

Other Vehicles:  
Use M10-1.5 x 80 Socket  
Cap Partial Thread Screws  
and the Spacer.



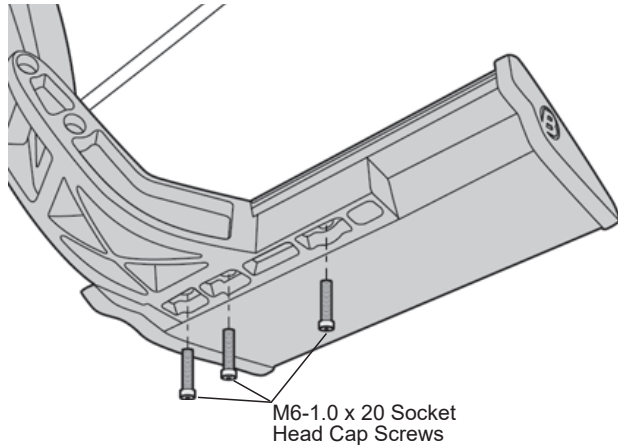
## 4 Install Linkage Assembly

From the backside of the frame, slide the two (2) M12-1.75 x 50mm Hex Bolts and M12 Flat Washers through the frame. Then slide the holes in the Mounting Bracket over the bolts. Reinstall the fasteners removed in Step 2.



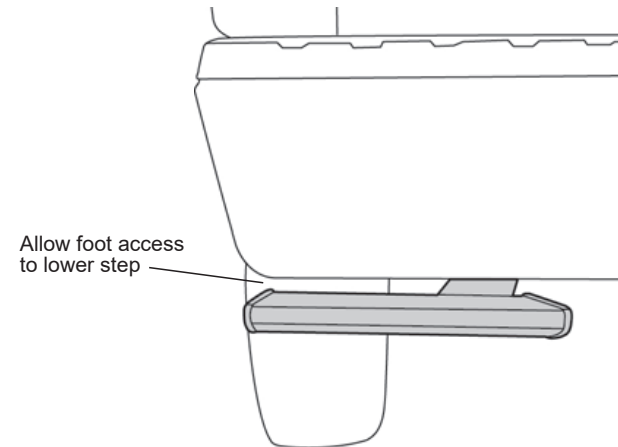
## 5 Install Step

Use the M6-1.0 x 20 Socket Head Cap Screws to mount the Step to the Linkage Assembly.



## 6 Adjust Step

Adjust the Step from side to side. Make sure to leave clearance for foot access to lower step. Tighten the allen head bolts.



## Operation

- The TrekStep™ is foot operated and deploys and retracts with a nudge of your foot.
- To deploy, press down using your left foot, on the forward outside corner of the step pad.
- To retract, gently kick the underside of the step pad.
- Max Load Capacity: 300 lbs.
- Always use appropriate hand holds when stepping up to or down from your truck's cargo bed.

## Care and Maintenance

The step pad surface and linkage arms should be washed with mild soap and water using a soft brush or sponge to dislodge any mud, dirt or accumulated road grime. Rinse with fresh water. After it is dry, lubricate the hinge with 3-IN-ONE Oil.

To prevent slipping, avoid applying waxes, lubricants or protectants like Armor All® to the step surface.

## Attention!

TrekStep™ SHOULD ALWAYS BE STOWED IN THE RETRACTED POSITION WHEN DRIVING.



## Warranty Information for TrekStep

Vehicle Application:  
Chevrolet Silverado / GMC Sierra 1999-2007 (Classic)  
Part Number 75501

### WHAT BESTOP WARRANTS

Subject to the terms and conditions of sale, including any terms and conditions set forth by Bestop, Inc. ("Bestop" or "us" or "we") in our then-current terms of sale on our website (collectively, the "Terms"), Bestop represents and warrants that: the covered products listed in the "Covered Products and Warranty Periods" section (a "Product") will substantially be free from defects in materials and workmanship for the specified warranty periods set forth in that section.

### THE WARRANTY IS LIMITED AND CONDITIONAL

This warranty applies to the original purchaser of the Product only. The warranty is valid only as long as the original retail purchaser owns the vehicle upon which the Product is installed. The warranty expires should the Product be removed from the original vehicle or if the original vehicle is transferred to another owner. This warranty is not transferable or assignable. The warranty does not apply to Product bought from auction-style or price-bid websites.

THE LIMITED WARRANTY AND STATED REMEDIES ARE SOLE AND EXCLUSIVE AND IN LIEU OF ALL OTHER WARRANTIES AND REMEDIES, AND COMPANY EXPRESSLY DISCLAIMS ALL IMPLIED OR STATUTORY OR OTHER WARRANTIES, INCLUDING WITHOUT LIMITATIONS WARRANTIES OF MERCHANTABILITY, NON-INFRINGEMENT OR FITNESS FOR A PARTICULAR PURPOSE. IN NO EVENT WILL COMPANY BE LIABLE FOR ANY SPECIAL, INCIDENTAL, CONSEQUENTIAL, PUNITIVE, INDIRECT OR EXEMPLARY DAMAGES OF ANY KIND, INCLUDING LOST PROFITS OR REVENUE, HOWEVER CAUSED, WHETHER FOR BREACH OR REPUDIATION OF CONTRACT, TORT, BREACH OF WARRANTY, NEGLIGENCE, OR OTHERWISE, WHETHER OR NOT COMPANY WAS ADVISED OF THE POSSIBILITY OF SUCH LOSS OR DAMAGES.

Some states do not allow exclusion or limitation, so this may not apply to you. This warranty gives you specific legal rights, and you may have other rights which vary from state to state.

### EXCLUSIONS TO THE WARRANTY

The Limited Warranty excludes, and Bestop is not liable in any way for any warranty claims, damages, or defects related to:

- Misuse, abuse, accidents, vandalism, negligence, fire, or improper installation or modification, or improper or inadequate maintenance;
- Failure to comply with any Product documentation, Bestop instructions, or applicable law or regulations; use in extreme conditions
- Force Majeure including but not limited to, earthquake, hurricane, tornado, flooding, or other disasters natural or man-made, civil unrest, strikes, declared or undeclared war, or lack of performance by, or discontinued product of, supply chain partners whose products, software, operations or management is beyond the control of Bestop;
- Damage resulting in breakage (including without limitation, spontaneous breakage, accidental breakage or breakage by any other means) of a Product or any component part;
- Damage to vinyl windows due to misuse, or cracking due to varying weather conditions.

### YOUR SOLE REMEDY

During the applicable warranty period, Bestop shall, at its option, either repair or replace any Product that it confirms, in its discretion, is non-compliant with the warranties herein. Bestop will not pay for labor charges associated with installation or removal of the Product. Should a specific Product be discontinued, Bestop may, at its option, replace the discontinued Product with a current product or like product.

Please retain your proof of purchase. Original proof of purchase for the Product must accompany any warranty claim. If you have a warranty claim, first you must email Bestop Customer Service at [csbestop@bestop.com](mailto:csbestop@bestop.com) for instructions. All claims must be emailed to [csbestop@bestop.com](mailto:csbestop@bestop.com) within 30 days of discovery of a defective Product, but in no event later than thirty days after the end of the applicable Warranty Period (the "Warranty Notice Period"). Warranty claims made after the Warranty Notice Period are null and void and Bestop shall have no responsibility with respect to such claims.

THIS SECTION SETS FORTH BESTOP'S SOLE OBLIGATION & YOUR SOLE REMEDY WITH RESPECT TO ANY DEFECTS OR OTHER PRODUCT ISSUE. ANY PRODUCTS REPLACED UNDER TERMS OF THIS WARRANTY WILL BE COVERED UNDER TERMS & BALANCE OF THE DURATION OF THE ORIGINAL LIMITED WARRANTY FOR SUCH PRODUCT.



## Warranty Information for TrekStep

Vehicle Application:  
Chevrolet Silverado / GMC Sierra 1999-2007 (Classic)  
Part Number 75501

---

**COVERED PRODUCTS AND WARRANTY PERIODS:** The warranty time periods are as follows for Products manufactured by Bestop:

### **BESTOP® LIMITED LIFETIME WARRANTY**

Trektop® Pro Twill Fabric Top Sunrider® for Hardtop Twill Fabric Top  
Trektop® NX Glide Twill Fabric Top Replace-a-Top™ Twill Fabric Top  
Trektop® NX Twill Fabric Top Supertop® NX Twill Fabric Top  
EZFold™ Soft Tonneaus Floor & Cargo Liners  
ZipRail™ Soft Tonneaus Pet Barriers  
EZRoll™ Soft Tonneaus

---

### **BESTOP® 5-YEAR LIMITED WARRANTY**

Trektop® NX Glide™ Top (non-Twill) Sunrider® for Hardtop (non-Twill) Replace-a-Top™ Top (non-Twill) Trektop® NX Top (non-Twill)  
Sailcloth Replace-a-Top™ Supertop® NX Top (non-Twill)  
Tigertop™ and Halftop™ Supertop® Classic Soft Top Sunrider® Complete Soft Top Supertop® for Truck  
EZ Fold Hard Tonneau

---

### **BESTOP® 3-YEAR/100K MILES LIMITED WARRANTY**

Powerboard® & Powerboard® NX  
Trekstep®, Side Mount  
Trekstep®, Rear Mount

---

### **BESTOP® 3-YEAR LIMITED WARRANTY**

Pavement Ends Sprint Top

---

### **BESTOP® 2-YEAR LIMITED WARRANTY**

Trektop® Classic Soft Top  
RoughRider™ Soft Storage

---

### **BESTOP® 1-YEAR LIMITED WARRANTY**

All other Bestop® & Pavement Ends™ products not specified above.

---

For further information or request for warranty work, please contact:

Bestop Inc. Customer Service

Toll-Free: (800)845-3567

E-mail: [csbestop@Bestop.com](mailto:csbestop@Bestop.com)

Website: [www.Bestop.com](http://www.Bestop.com)

This product may be covered by 1 or more patents or pending applications, information can be found at [www.bestop.com/patents](http://www.bestop.com/patents)