



Installation Instructions Trekstep Rear Mount™

Vehicle Application:
Chevy Silverado/GMC Sierra - Drivers side
1500 new body style, 2019-Current
Part Number 75515

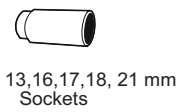
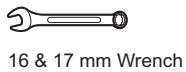
Installation Tips

Before you begin installing your new TrekStep, please read all the instructions thoroughly, and watch the Bestop installation video. (See Support section on this page).

WARNING Do not rely in any way on the components of this product to protect against injury or death in the event of an accident. Never operate the vehicle in excess of manufacturer's specifications. Read and follow, precisely, all installation instructions provided when installing this product. Failure to do so may result in a poor fit and could place occupants of the vehicle in a potentially dangerous situation.



Tools



CAUTION Safety glasses should be worn at all times when installing this product.

Installation Time



Skill Level



4 - Difficult

Support

We're here to help!
Go to <http://www.Bestop.com>
and click "Ask a Question"

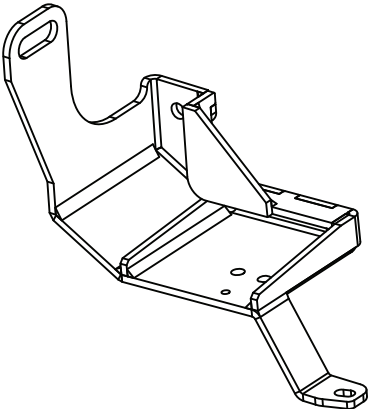
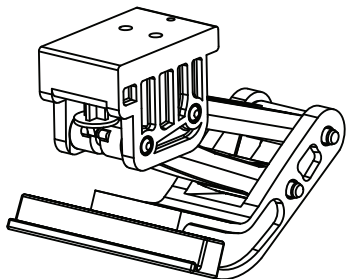
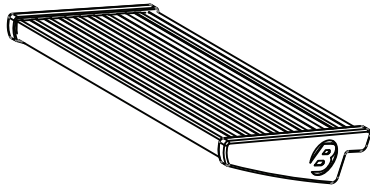
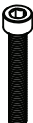
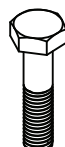







Installation Instructions Trekstep Rear Mount™

Vehicle Application:
Chevy Silverado/GMC Sierra - Drivers side
1500 new body style, 2019-Current
Part Number 75515

Parts list

-Required parts for installation

<p>BRACKET, BODY MOUNT PART NUMBER 598.14 QTY. 1</p> 		<p>LINKAGE ASSEMBLY PART NUMBER 484.89 QTY. 1</p> 		<p>BOARD ASSEMBLY (12") PART NUMBER 514.10 QTY. 1</p> 		
<p>SCREW M6 X 30 MM PART NUMBER 513.82 QTY. 1</p> 	<p>SCREW M0 X 45 MM PART NUMBER 487.20 QTY. 2</p> 	<p>SCREW M6 X 18 MM PART NUMBER 588.03 QTY. 4</p> 	<p>WASHER M10 PART NUMBER 481.59 QTY. 2</p> 	<p>WASHER M6 PART NUMBER 489.68 QTY. 1</p> 	<p>SPACER - SLOTTED PART NUMBER 595.28 QTY. 2</p> 	<p>WASHER M6 PART NUMBER 309.83 QTY. 1</p> 



Installation Instructions Trekstep Rear Mount™

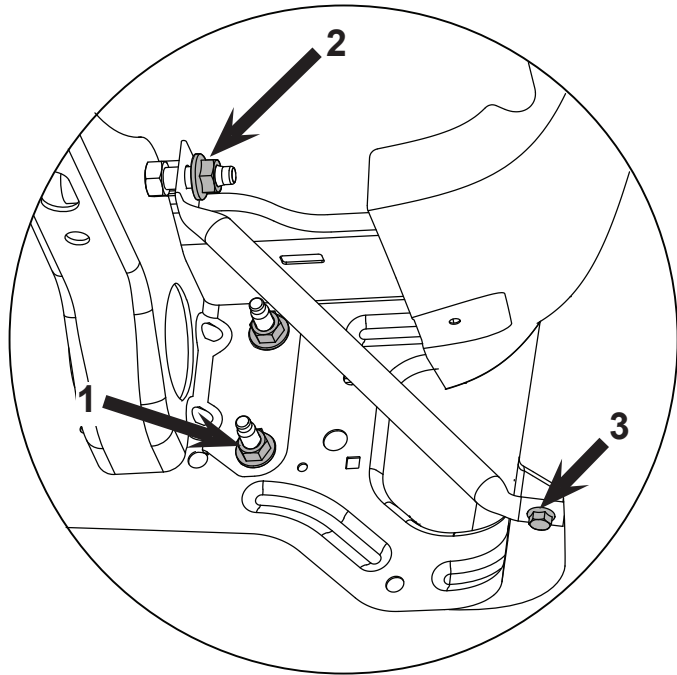
Vehicle Application:
Chevy Silverado/GMC Sierra - Drivers side
1500 new body style, 2019-Current
Part Number 75515

Parts list (Continued)

-Required parts for installation

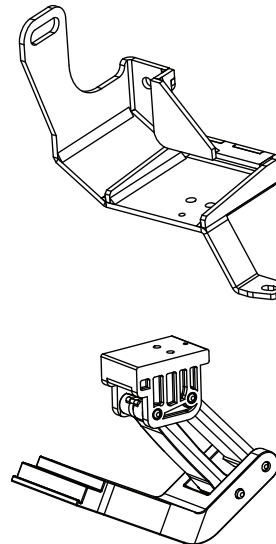
STEP 2	598.14	595.26	485.38	473.20	513.82	489.68
---------------	--------	--------	--------	--------	--------	--------

HARDWARE



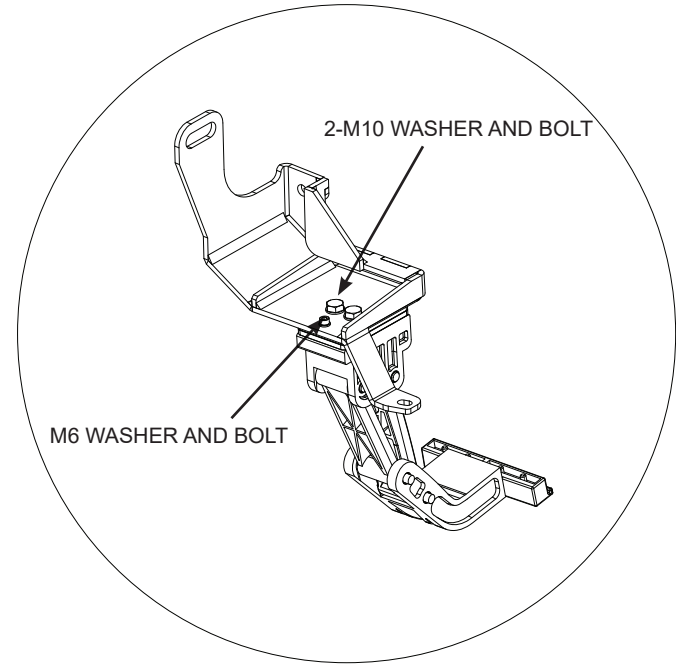
STEP 1:

Remove the lower bumper bolts (1). Remove the support bracket frame bolt (2). Remove the support bracket bumper bolt (3).



STEP 2:

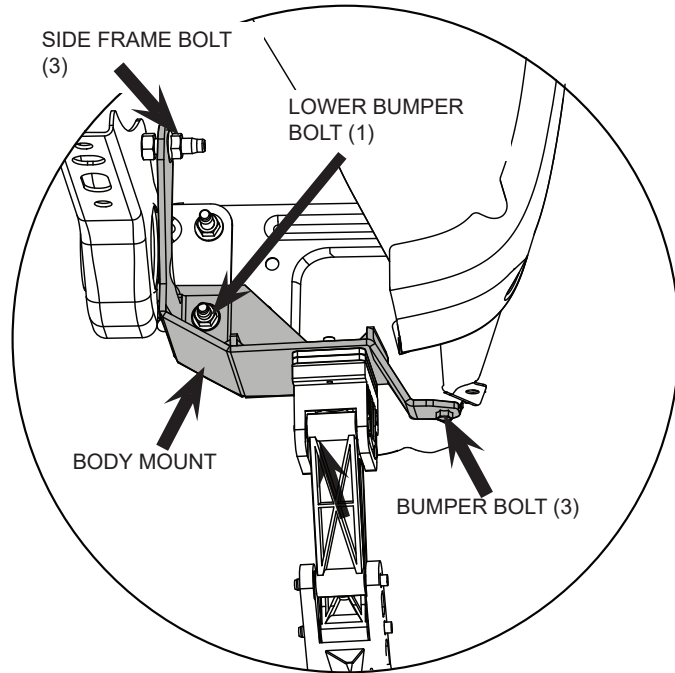
Secure frame mount to linkage assembly using two M10 washers and two M10 x 45 mm bolts. Then install one M6 washers and one M6 x 30 mm screw.



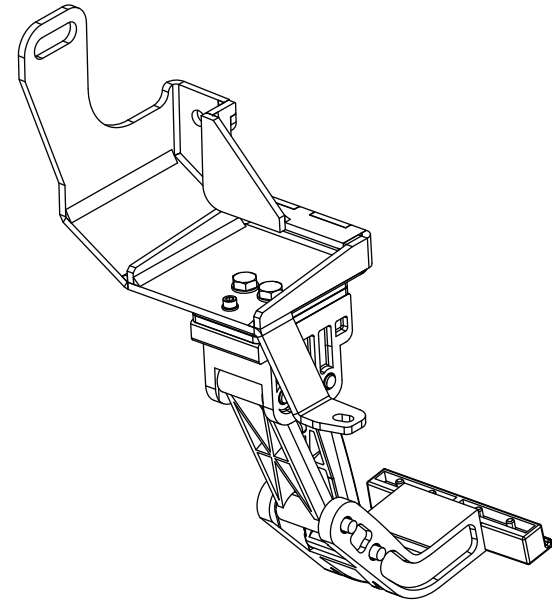


Installation Instructions Trekstep Rear Mount™

Vehicle Application:
Chevy Silverado/GMC Sierra - Drivers side
1500 new body style, 2019-Current
Part Number 75515



HARDWARE



STEP 3:

Install Body mount over lower bumper bolt (1), Side frame bolt (2).

Install (3) bolt removed in step one through the body mount and into the threaded bumper hole. Tighten the bolt down.

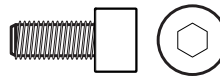
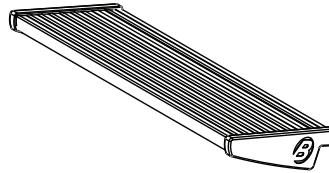
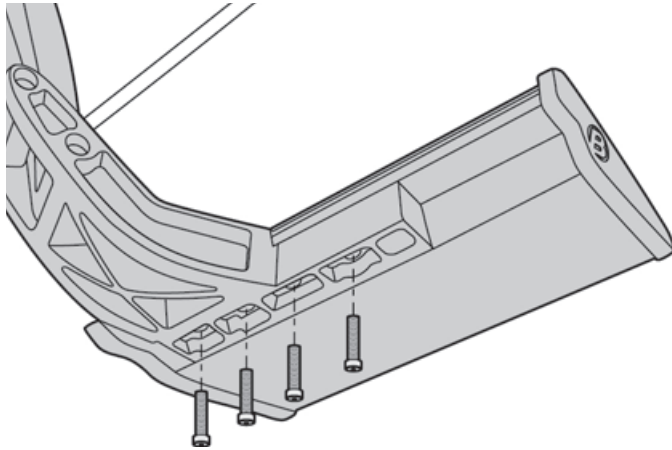
Install both Nuts removed in step 1. Items (1) and (2).



Installation Instructions Trekstep Rear Mount™

Vehicle Application:
Chevy Silverado/GMC Sierra - Drivers side
1500 new body style, 2019-Current
Part Number 75515

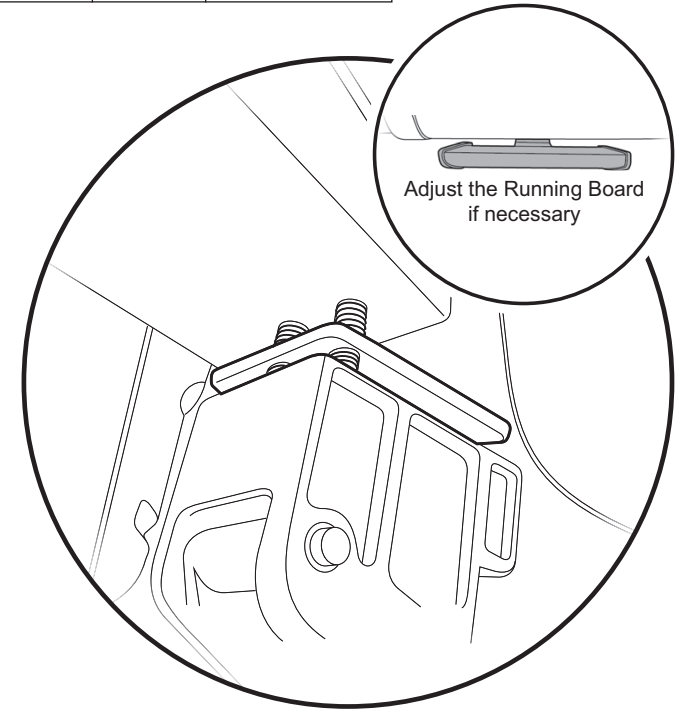
STEP 5 484.89 588.03



STEP 5:

Install board assembly onto linkage and secure with 4 M6 x 18 mm socket cap screws. Board should be centered on linkage and can be adjusted in the next step.

STEP 6 595.28



STEP 7

Adjust the Step from side to side. Make sure to leave clearance for foot access to lower step. Tighten the allen head bolts.

If the step is hitting the vehicle or if you want it to be lower add one to two (1 - 2) of the supplied spacers. Loosen the M10-1.5 X 45 screw and M6 x 30 cap screw installed in step 2. Slide shims between the Linkage and Mounting bracket and re-tighten the M10-1.5 X 45 Hex Head Screws and M6X30 mm screws.



Installation Instructions Trekstep Rear Mount™

Vehicle Application:
Chevy Silverado/GMC Sierra - Drivers side
1500 new body style, 2019-Current
Part Number 75515

Operation

- The TrekStep™ is foot operated and deploys and retracts with a nudge of your foot.
- To deploy, press down using your foot, on the forward outside corner of the step pad.
- To retract, gently kick the underside of the step pad.
- Max Load Capacity: 400 lbs.
- Always use appropriate hand holds when stepping up to or down from your truck's cargo bed.

Care and Maintenance

The step pad surface and linkage arms should be washed with mild soap and water using a soft brush or sponge to dislodge any mud, dirt or accumulated road grime. Rinse with fresh water. After it is dry, lubricate the hinge with 3-IN-ONE Oil.

To prevent slipping, avoid applying waxes, lubricants or protectants like Armor All® to the step surface.

Attention!

TrekStep™ SHOULD ALWAYS BE STOWED IN THE RETRACTED POSITION WHEN DRIVING.

LIMITED WARRANTY

We warrant our product to be free from defects in material and workmanship, for the terms specified below, provided there has been normal use and proper maintenance. This warranty applies to the original purchaser only. All remedies under this warranty are limited to the repair or replacement of any item or items found by the factory to be defective within the time period specified. If you have a warranty claim, first you must call our factory at the number below for instructions. You must retain proof of purchase and submit a copy with any items returned for warranty work. Upon completion of warranty work, if any, we will return the repaired or replaced item or items to you freight prepaid. Damage to our products caused by accidents, fire, vandalism, negligence, misinstallation, misuse, Acts of God, or by defective parts not manufactured by us, is not covered under this warranty.

THE WARRANTY TIME PERIOD IS AS FOLLOWS FOR ALL TrekSteps™ MANUFACTURED BY OUR COMPANY: THREE YEARS / 36,000 MILES FROM DATE OF PURCHASE.

ANY IMPLIED WARRANTIES OF MERCHANTABILITY AND/OR FITNESS FOR A PARTICULAR PURPOSE CREATED HEREBY ARE LIMITED IN DURATION TO THE SAME DURATION AND SCOPE AS THE EXPRESS WRITTEN WARRANTY. OUR COMPANY SHALL NOT BE LIABLE FOR ANY INCIDENTAL OR CONSEQUENTIAL DAMAGE.

Some states do not allow limitations on how long an implied warranty lasts, or the exclusion or limitation of incidental or consequential damages, so the above limitations or exclusions may not apply to you. This warranty gives you specific legal rights, and you may also have other rights which vary from state to state.

For further information or request for warranty work, please contact:

Bestop Inc. Customer Service
Toll-Free: (800)845-3567
E-mail: csbestop@Bestop.com
Website: www.Bestop.com