








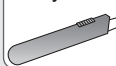


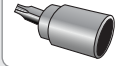
Installation Instructions Sport Bar Covers

Vehicle Application


- Jeep TJ Wrangler
2003 -2006
Part Number: 80022


www.Bestop.com - We're here to help! Visit our web site and click on "Ask a Question" Click here for more [Jeep® Accessories by Bestop](#).

INSTALLATION TIME	SKILL LEVEL
 1 Hour	    1 - Easy

TOOLS			
 Utility Knife	 Safety Glasses	 Ratchet	 Torx Socket T30



 **CAUTION** Safety glasses should be worn at all times while installing this product.


 **WARNING** DO NOT remove seat belts for installation. Manufacturer's warranty will be compromised.

Installation Tips

Before you begin installing these sport bar covers, read all instructions thoroughly.

For a smooth fit:

For ease in installation, the product should be installed at temperatures above 72° F. Below this temperature, the fabric may contract an inch or more, making it difficult to fit to the vehicle. It is normal for fabric to contract and wrinkle when stored in the shipping carton. Within a few days after the installation, the fabric will relax and the wrinkles will disappear.

 **WARNING** This product is designed primarily to enhance the appearance of the vehicle and to shield the occupants from ordinary weather conditions. Do not rely in any way on the components of this product to contain occupants within the vehicle, or to protect against injury or death in the event of an accident. This product will not protect the occupants from falling objects. Never operate the vehicle in excess of manufacturer's specifications.

WEAR SEAT BELTS AT ALL TIMES

Read and follow, precisely, all installation instructions provided when installing product. Failure to do so may result in a poor fit and could place occupants of the vehicle in a potentially dangerous situation.

Sport Bar Covers - Installation Instructions

Parts List

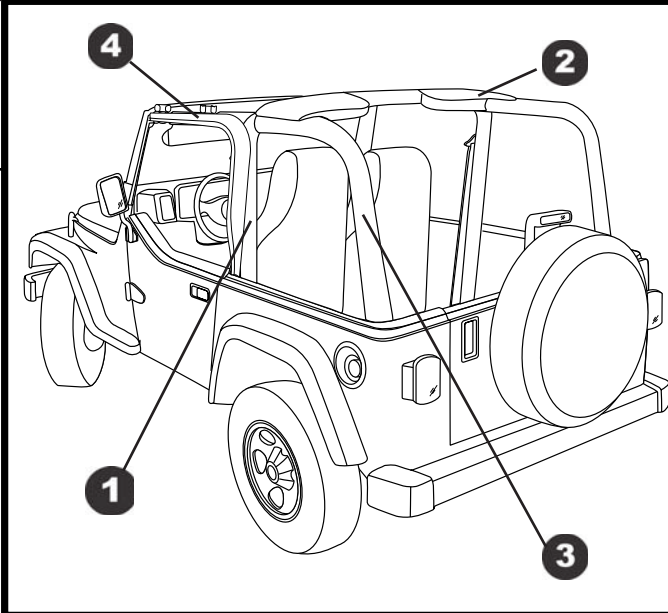
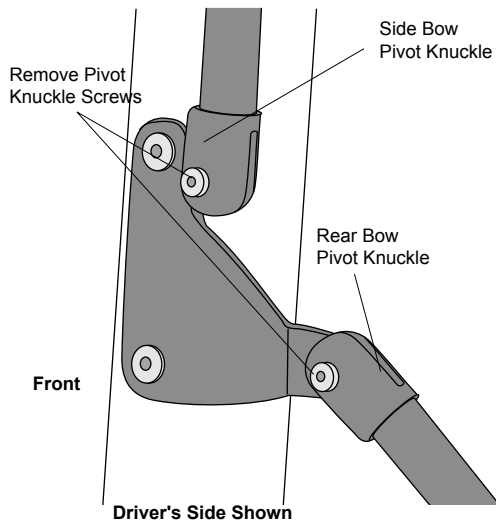
Sport Bar Cover	Qty - 1
Horizontal Sport Bar Covers	Qty - 2

1 Lower Soft Top

If your vehicle has a soft top, release the top from the windshield and lay the top and bows down on the tailgate.

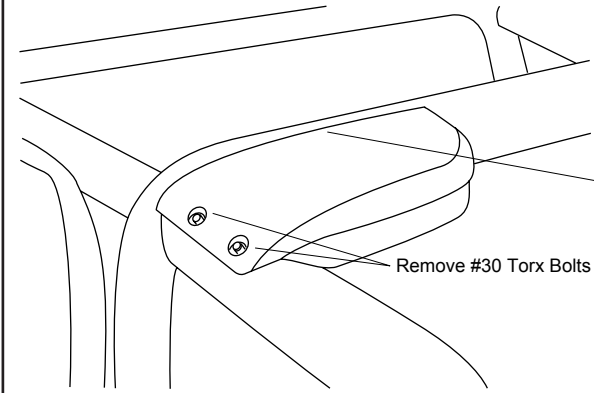
Use a T-30 Torx driver to remove the Pivot Knuckle Screws that attach the Side Bow and Rear Bows to the brackets on each side of the vehicle. Push down on each bow to pop it loose from the bracket.

Leave the bows and fabric laying on the tailgate.

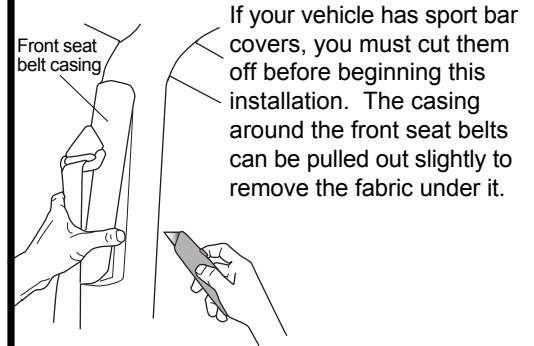


2 Remove Speaker Pods

Use the #30 Torx to remove the bolts on the speaker pods. Pull the pods out slightly to expose the wiring inside. Release these wires by lifting up the tab on the connector. The speaker pods can be removed and set aside for later.



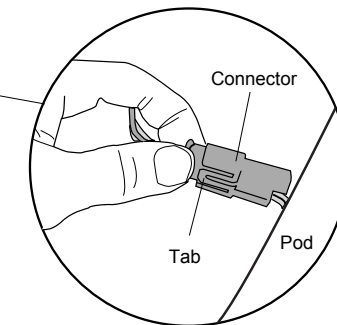
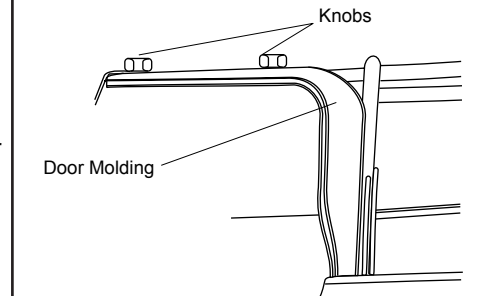
3 Remove Existing Sport Bar Covers



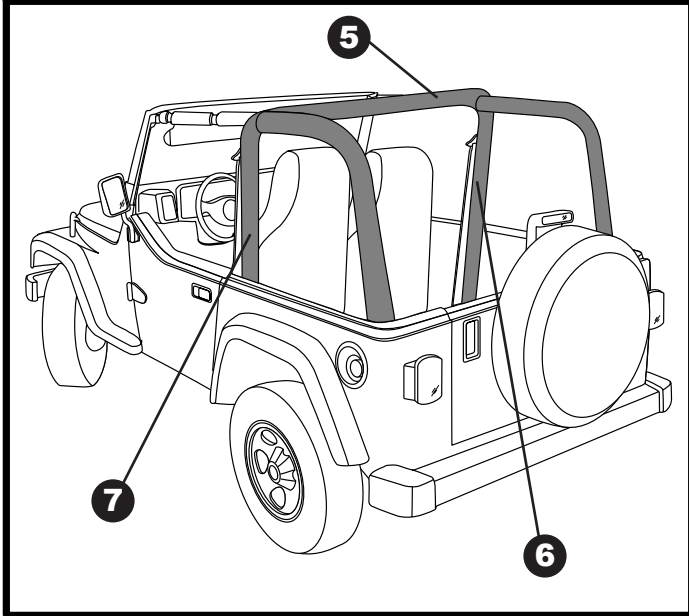
If your vehicle has sport bar covers, you must cut them off before beginning this installation. The casing around the front seat belts can be pulled out slightly to remove the fabric under it.

4 Remove Door Molding

The installation of the Sport Bar Covers will be easier if the door molding is removed. To remove the door molding, unscrew the knobs above the door opening and lift the molding off of the vehicle.



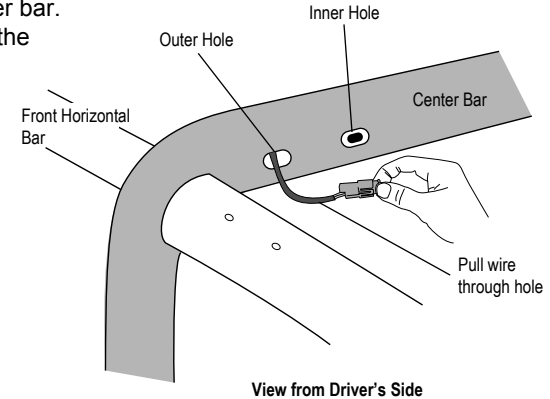
Sport Bar Covers - Installation Instructions



5 Install Sport Bar Cover to Center Bar

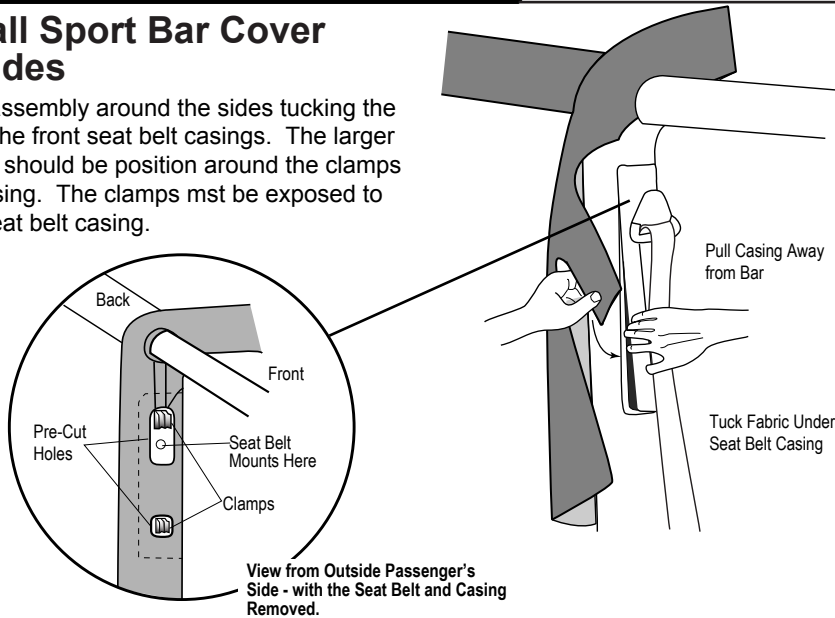
Orient the entire fabric assembly over the Vehicle's Sport Bars with the zippers towards the underside of the bars. The Bestop® label should be on the rear leg of the passenger's side and there should be some pre-cut openings for the seat belts and the speaker pods.

Locate the two sets openings on the center bar. The ones closer to the center will expose the holes for the speaker pod's rod and the outer two holes are for it's wiring. Pull the wires through the outer holes. Zip the fabric assembly around the center bar.



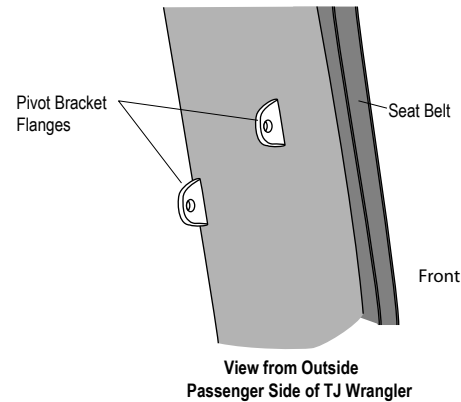
6 Install Sport Bar Cover to Sides

Wrap fabric assembly around the sides tucking the fabric under the front seat belt casings. The larger pre-cut holes should be position around the clamps under the casing. The clamps must be exposed to secure the seat belt casing.



7 Expose Pivot Brackets

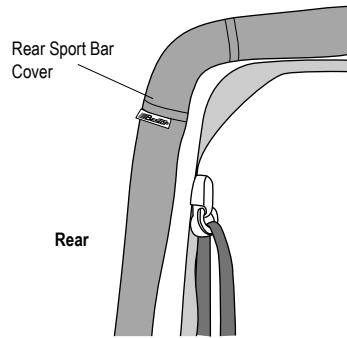
If you have a soft top, insert the Pivot Bracket Flanges through the slits in the fabric.



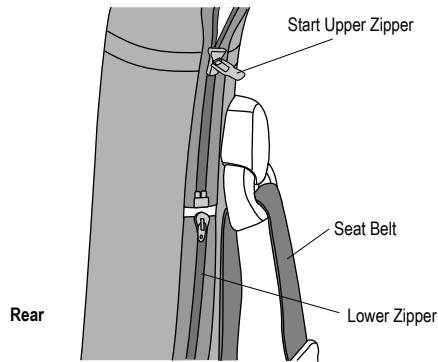
Sport Bar Covers - Installation Instructions

8 Install Sport Bar Cover to Rear Legs

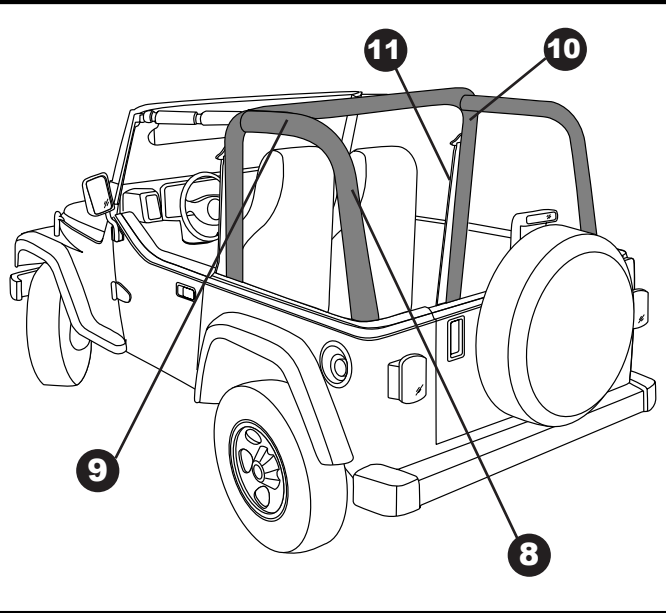
Drape the cover over the Rear Sport Bar and Fit the curve in the fabric over the curve of the bar. There will be a pre-cut hole for the seat belt, hook the hole of the fabric around the seat belt mount. Zip up the lower portion of the cover and start to zip the upper portion. The start and end of the two zippers can be tucked behind the seat belt mount.



View from Outside Passenger Side

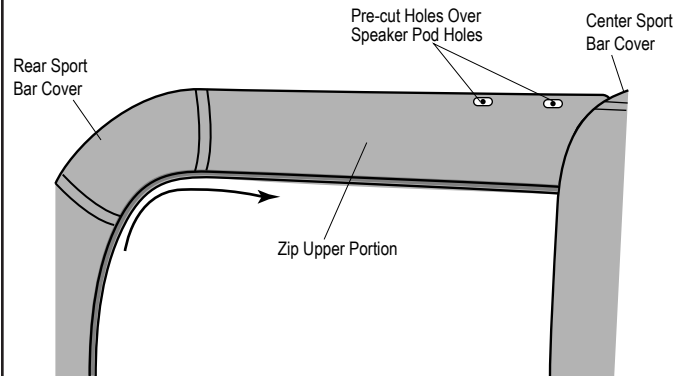


View from Outside Passenger Side



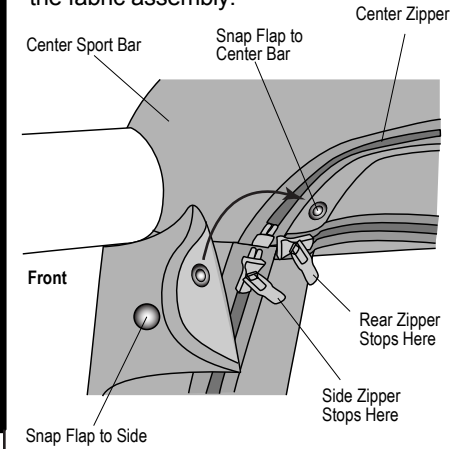
9 Position & Zip Upper Leg

Continue to zip the upper portion of the rear leg towards the front. Before you tighten the fabric with the zipper, position the pre-cut holes over the speaker pod holes on the sport bar.



10 Snap Flap

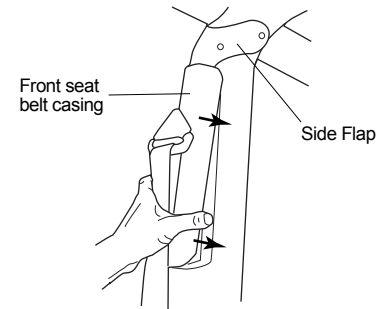
The zippers for the center, side and rear bar should all intersect above the front seat belts. Pull the flap over from the side and snap it to the fabric assembly.



View from Inside Passenger Side

11 Secure Front Seat Belt Casing

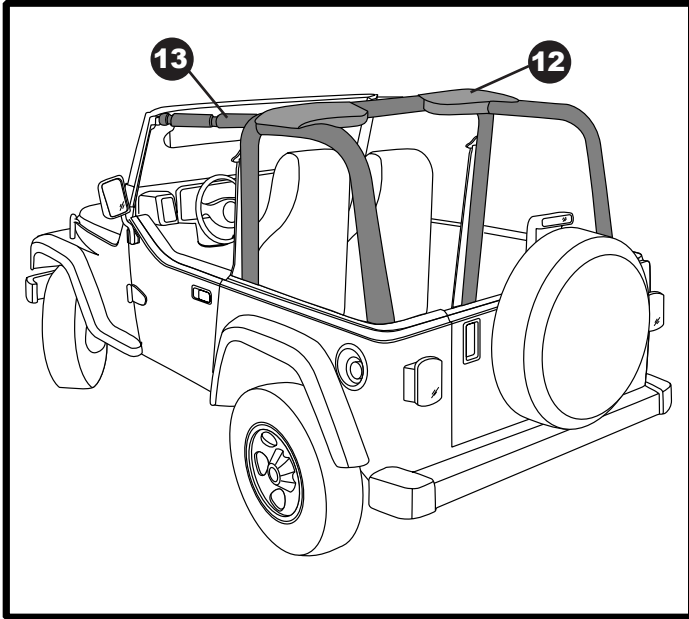
After the flap is snapped and the fabric is adjusted around the seat belt mount, secure the Seat Belt Casing. Press the panel down into the clamps underneath.



NOTE The Clamps should be exposed and free from fabric coverage.

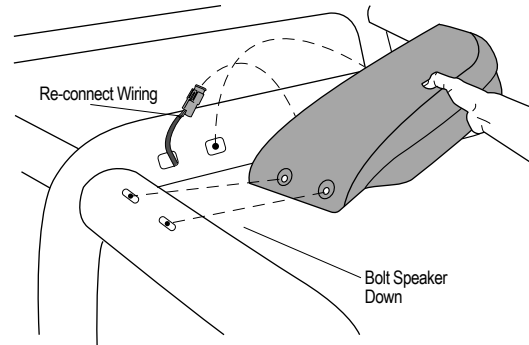


Sport Bar Covers - Installation Instructions



12 Re-Install Speaker Pods

Re-Install the Speaker Pods onto the new Sport Bar Cover. The pre-cut holes should expose placement of the speaker rod and wiring on the center bar, and placement of the bolts on the upper leg. Re-connect the wiring and tighten the bolts down again with the #30 Torx.

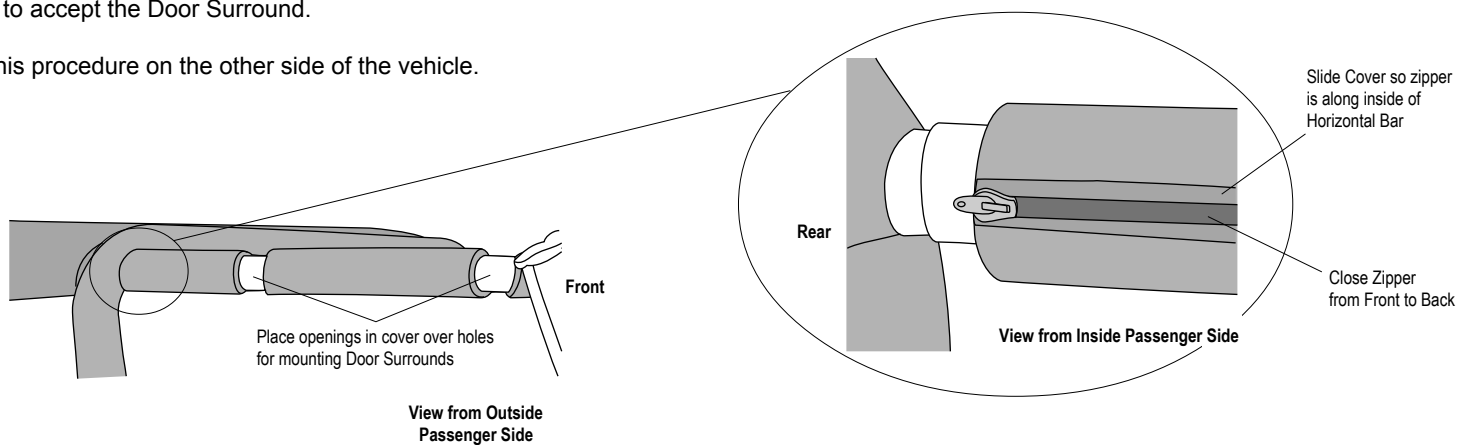


NOTE Speaker Pods Should cover pre-cut holes completely

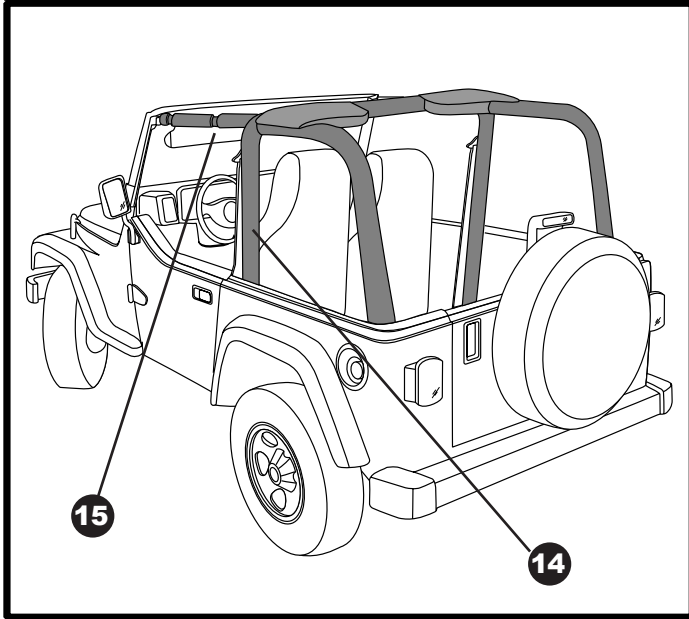
13 Install Horizontal Bar Cover

Locate a Horizontal Bar Cover in the parts kit and orient it with the openings in the cover over the mounting holes for the Door Surround. Wrap the cover around the bar and close the zipper from front to back. Slide the cover around the bar so that the zipper is along the inside of the bar and the openings are clear to accept the Door Surround.

Repeat this procedure on the other side of the vehicle.



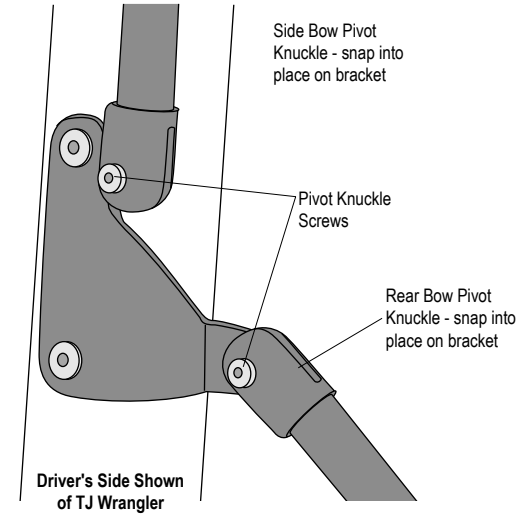
Sport Bar Covers - Installation Instructions



14 Re-Install Bows Into Pivot Knuckle Assemblies (soft top only)

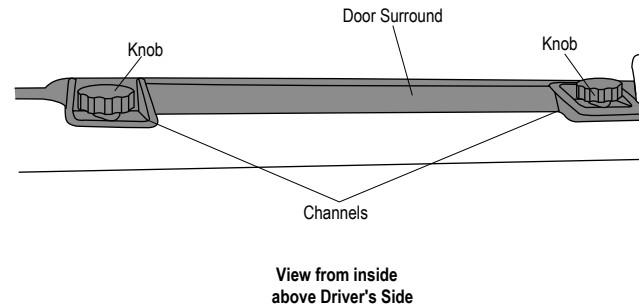
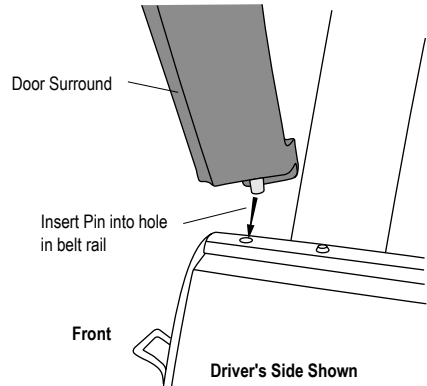
Re-Install the Side Bow Pivot Knuckles onto the upper flange of the Pivot Bracket. Align the knuckle with the bracket and it will snap into place on the bracket. Install a Pivot Knuckle Screw and tighten with T-30 Torx driver.

Re-Install the Rear Bow Pivot Knuckle Assemblies onto the lower flange of the Pivot Bracket. Make sure that the holes in the Pivot Knuckles are facing the outside of the vehicle. Align the knuckle with the bracket and it will snap into place on the bracket. Install a Pivot Knuckle Screw and tighten with T-30 Torx driver.



15 Re-Install Door Surround (soft top only)

Re-install the left and right Door Surrounds. Insert the pin in the bottom of the Door Surround into the hole in the belt rail behind the door. Press the channels along the top of the Door Surround around the horizontal sport bar, above the door opening. Insert two knobs into the Door Surround and tighten them down.



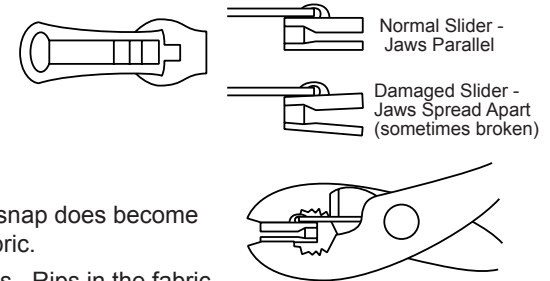
Sport Bar Covers – Installation Instructions

Care and Maintenance of your New Covers

Your covers are made of the finest materials available. To keep it looking new and for the maximum possible wear, it will need periodic cleaning and maintenance.

Washing: The fabric should be washed often using soap, warm water and a soft bristle brush. Rinse with clear water to remove all traces of soap or use Bestop -recommended Bestop Cleaner and Bestop Protectant. Bestop Cleaner and Bestop Protectant are specially formulated to provide a total cleaning and protection system. Bestop Cleaner will not harm vehicle finish, is biodegradable and environmentally friendly. Bestop Protectant protects against UV- fading, cracking and hardening.

Zippers: Keeping the zipper cleaned and lubricated with a silicone lubricant will help prevent damage and keep the zippers in a smooth working condition. If a zipper opens behind the slide, the slider may have been spread apart. This problem can usually be repaired by using an ordinary pair of pliers to bring the sides back into parallel. Return slider to the end of the zipper in the normal Open position. Squeeze lightly at first and test the zipper. If the zipper continues to remain open squeeze more firmly with the pliers and try the zipper again. Repeat this procedure until the zipper operates correctly.



Snaps: Keep snaps cleaned and lubricated with silicone to help prevent snaps from sticking to the studs. If a snap does become stuck to a stud, use a screwdriver and GENTLY pry apart to prevent permanent damage to the snap or the fabric.

Water: Seeping through at the seams may be stopped by applying 3M Scotchgard® on the inside of the seams. Rips in the fabric may be repaired with Bondex® iron on patches. Iron the patches to the Inside of the covers, carefully following the Bondex® instructions.

Limited Warranty

We warrant our product to be free from defects in material and workmanship, for the terms specified below, provided there has been normal use and proper maintenance. This warranty applies to the original purchaser only. All remedies under this warranty are limited to the repair or replacement of any item or items found by the factory to be defective within the time period specified.

If you have a warranty claim, first you must call our factory at the number below for instructions. You must retain proof of purchase and submit a copy with any items returned for warranty work. Upon completion of warranty work, if any, we will return the repaired or replaced item or items to you freight prepaid. Damage to our products caused by accidents, fire, vandalism, negligence, misinstallation, misuse, Acts of God, or by defective parts not manufactured by us, is not covered under this warranty.

THE WARRANTY TIME PERIOD IS AS FOLLOWS FOR REPLACE-A-TOP™, SAILCLOTH REPLACE-A-TOP™, SUPERTOP®, SUPERTOP® REPLACEMENT SKINS, SUNRIDER®, AND TIGERTOP®: TWO YEARS FROM DATE OF PURCHASE.

THE WARRANTY TIME PERIOD IS AS FOLLOWS FOR ALL OTHER “SOFT GOODS” MANUFACTURED BY OUR COMPANY (USING PRIMARILY VINYL, PLASTICS, AND/OR FOAM): ONE YEAR FROM DATE OF PURCHASE. ANY IMPLIED WARRANTIES OF MERCHANTABILITY AND /OR FITNESS FOR A PARTICULAR PURPOSE CREATED HEREBY ARE LIMITED IN DURATION TO THE SAME DURATION AND SCOPE AS THE EXPRESS WRITTEN WARRANTY. OUR COMPANY SHALL NOT BE LIABLE FOR ANY INCIDENTAL OR CONSEQUENTIAL DAMAGE.

Some states do not allow limitations on how long an implied warranty lasts, or the exclusion or limitation of incidental or consequential damages, so the above limitations or exclusions may not apply to you. This warranty gives you specific legal rights, and you may also have other rights which vary from state to state.



For further information or request for warranty work, please contact:

Bestop Inc.

Customer Service

Toll-Free: (800) 845-3567

Main: (303) 465-1755

E-mail: csbestop@Bestop.com

Website: www.Bestop.com