



BLUE OX®

Baseplate Installation Instructions

BX1009

1996-2001 Acura Integra Installation Instructions

Serial Number

Please read BOTH these Installation Instructions and the General Instructions before attempting to install or operate this equipment.

- Blue Ox® towing products and accessories are intended to be installed by Blue Ox® Dealers who are familiar with our products and have the equipment necessary and knowledge to do "fit work". When necessary Blue Ox® Dealers can be found at www.blueox.us or by contacting our Customer Care Department at (402) 385-3051 or toll free (888) 425-5382.
- Many Blue Ox® Baseplates are designed to use existing holes and hardware to mount the baseplate to the towed vehicle. Even though bolts are there, do not assume they are adequate for baseplate mounting. Always use hardware supplied in the hardware kit and existing hardware specified in the Baseplate Installation Instructions.

Attachment Tab Height: 15"

Attachment Tab Width: 18"

Bolt Torque Specifications
Torque in Foot-Pounds per Metric Bolts

Bolt Size	Grade 8.8	Grade 10.9
6MM	6	8
8MM	16	22
10MM	31	40
12MM	54	70
14MM	89	117

Confirm the towability and pre-towing procedures for your vehicle with the owner's manual or contact the vehicle's manufacturer for specific towing procedures. You can also contact REMCO for additional information at 1(800)228-2481.

Bolt Torque Specifications
Torque in Foot-Pounds per Inch Bolts

Bolt Size	Grade 5	Grade 8
1/4"	10	14
5/16"	19	29
3/8"	33	47
7/16"	54	78
1/2"	78	119
5/8"	154	230



! WARNING

Failure to read and follow these instructions could result in separation of the towed vehicle from the tow bar, causing property damage, loss of towed vehicle, personal injury or death.

BX1009

1996 -2001 Acura Integra

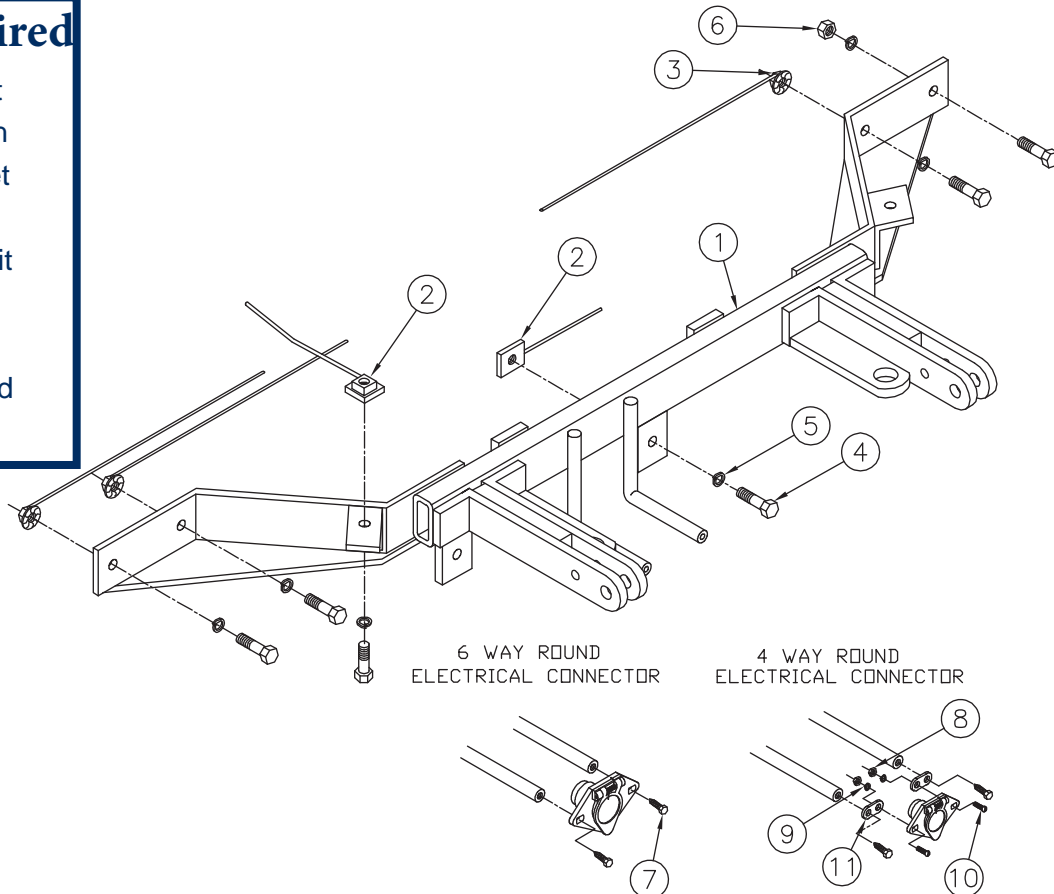
Installation Instructions

Parts List

Ref. No.	Qty.	Part #	Description
1	1	61-5594	Weldment, Baseplate, BX1009
2	4	61-5208	3/8-16, Nutplate, 1/4" x 1" x 1" w/ Wire
3	3	61-4978	3/8-16 Whiz Nut w/ 14" Wire
4	8	201-0368	3/8" Lock Washer, ZP
5	8	203-0010	3/8" Lock Washer. ZP
6	1	202-0003	3/8-16 Hex Nut
7	2	201-0553	1/4-20 x 1/2" Hx. Wshd., Type F Screw
8	2	202-0047	#10-32 Hex Nut
9	2	203-0054	#10 Lock Washer
10	2	201-0192	#10-32 x 1/2" Slot, Rd. Hd. Screw
11	2	101-5822	Adapter, 4 Way Connector
	2	226-0046	Baseplate Safety Cable, 36" CL III (NS)
	2	229-0359	Quicklink, 3/8, ZP (Not Shown)

Tools Required

- 9/16" Socket
- 9/16" Wrench
- 17MM Socket
- 1/2" Socket
- 13/32" Drill Bit
- Utility Knife
- Vise Grips
- LOCTITE Red



Important:

Use only genuine factory replacement parts on your baseplate. Do NOT substitute homemade or non-typical parts. If a bolt is lost or in need of replacement, for your safety and the preservation of your baseplate, be sure to use a replacement bolt of the same grade (In most cases it will be Grade 5, please reference the parts list above). Replacement parts may be ordered through your nearest Blue Ox® Dealer or Distributor, or call our 24/7 Customer Care Team at (402)385-3051.

BX1009
1996 -2001 Acura Integra
Installation Instructions

Standard Tab Spacing Guidelines:

Motorhome mount tow bars are recommended for use with this baseplate. Due to the design of the removable tabs, the RangeFinderII, Adventurer, and Ambassador tow bars can not be used. The Acclaim tow bar may be used, but will not fold and store on the front of the vehicle. Adapters, except the BX8833 and BX88151, can not be used with this baseplate.

Pre-Installation Notes:

The front fascia is removed for the baseplate installation. Drilling is required. There is trimming to the back side of the front fascia.

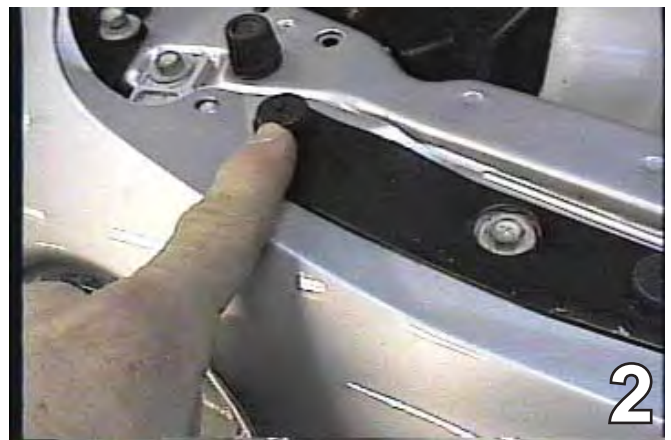
The dimensional variations between otherwise identical vehicles can be considerable. While the baseplate was designed for easy installation, it may be necessary to tailor the baseplate slightly to compensate for auto manufacturer's tolerances. These minor adjustments may include filing a hole slightly, bending electrical rods, and/ or bending end plates.

The BX8869 Bulb and Socket Wiring Kit is recommended for use with this vehicle.

Installation Instructions



1. With the 10MM socket remove metric bolt on the top edge of the fascia, just above the headlight assemblies. Do this to both sides of the vehicle.



2. Remove the nine Phillips head bolts from the top of the fascia and set black support plate aside to be reinstalled later.

BX1009
1996 -2001 Acura Integra
Installation Instructions



3. Remove the two metric bolts from the bottom side of the fascia with the 10MM socket.



4. There is one Phillips screw to remove just outside of previous bolts on underside of the fascia. Do this to both sides of the vehicle.

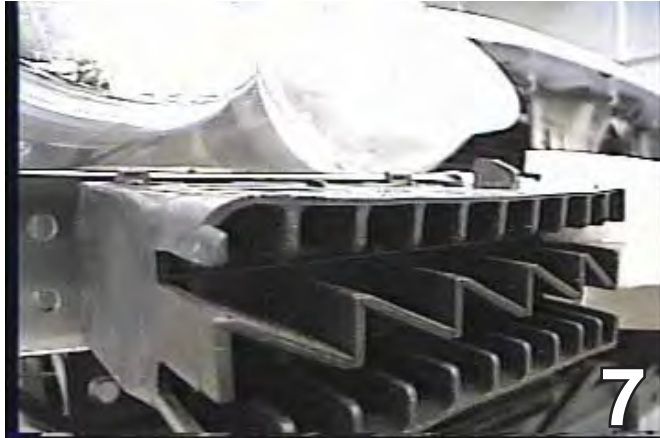


5. Just forward of the front tires is one Phillips screw to be removed. Do this to both sides of the vehicle.



6. Pull black plastic back and remove one Phillips screw from inside fender that meets the fascia's outside corner. Do this to both sides of the vehicle. Disconnect the fog lights, pull fascia forward, and set it carefully aside to be reinstalled later.

BX1009
1996 -2001 Acura Integra
Installation Instructions



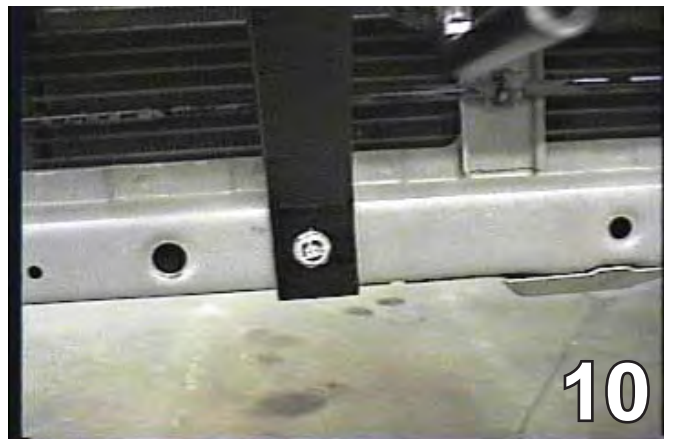
7. Push four release clips, pull black plastic bumper supports forward, one on each side, and set carefully aside to be reinstalled later. Remove the Styrofoam and set carefully aside to be reinstalled later. Hold baseplate up to the bottom side of metal bumper and clamp with vise grips.



8. Make sure that the baseplate is centered. Using the baseplate as a template, drill a hole with a 13/32" drill bit into the radiator support using the outermost hole of baseplate. Using the 3/8-16 Whiz Nut, 3/8-16 x 1 1/4" hex bolts, 3/8-16 nutplate 1/4" x 1" x 1", and the 3/8" lock washer. Be sure to use LOCTITE Red on all bolts.



9. Drill 13/32" holes on the underside of the metal bumper with the 3/8-16 nutplate 1/4" x 1" x 1", 3/8-16 x 1 1/4" hex bolt, and the 3/8" lock washer. Be sure to use LOCTITE Red on ALL bolts.



10. Drill all remaining holes and tighten all fasteners. Making sure that LOCTITE Red is used on all bolts. Tighten according to the torque specifications on the front sheet of this document.

BX1009

1996 - 2001 Acura Integra

Installation Instructions



11. Cut off the metal supports on the inside of the fascia. **NOTE:** Cut at location of black line marked on the fascia, as indicated by the dotted line in the photo above.



12. Trim off the plastic tabs on the back side of fascia. These are found near the grille opening area that attachment tabs will go through. Do this to both sides of the vehicle.

Install the tow bar and safety cables according to the instructions included in their packages.

Do Not substitute other devices if the tow bar pin and clip are lost.

DEALER OR INSTALLER: Be certain the user receives the instruction sheets.

CUSTOMER SERVICE COMMITMENT

Blue Ox is committed to providing you with exceptional customer care throughout your lifetime with our products. Our team is here to assist you with any questions you may have regarding the performance of your product. Simply call 1-800-228-9289 and you can speak with our customer care team.

Additionally, please visit our website to see which rallies our Destination America team will be attending. For a nominal fee, our service technician will service your towing system to ensure it's in proper working condition. Also as a commitment to our customers, should you visit our factory you can stay at our full service Blue Ox campground at no charge along with enjoying a factory tour.

Again thank you for being our customer and for the confidence you have shown in the performance of our products. It is because of customers like you we enjoy the success we have today.

13. Hold the fascia in place and trim to fit around the electrical rods. Replace fascia to its original position. Be sure that all electrical connections are completed.



© 2005 Blue Ox
One Mill Road, Industrial Park
Pender, Nebraska 68047
Phone: (402) 385-3051
Toll Free: (888) 425-5382
Fax: (402) 385-3360
www.blueox.us