



Baseplate Installation Instructions

# BX1010 2002-03 Acura TL Without Fog Lights Installation Instructions

Serial Number

**Please read BOTH these Installation Instructions and the General Instructions before attempting to install or operate this equipment.**

- Blue Ox® towing products and accessories are intended to be installed by Blue Ox® Dealers who are familiar with our products and have the equipment necessary and knowledge to do "fit work". When necessary Blue Ox® Dealers can be found at [www.blueox.us](http://www.blueox.us) or by contacting our Customer Care Department at (402) 385-3051 or toll free (888) 425-5382.
- Many Blue Ox® Baseplates are designed to use existing holes and hardware to mount the baseplate to the towed vehicle. Even though bolts are there, do not assume they are adequate for baseplate mounting. Always use hardware supplied in the hardware kit and existing hardware specified in the Baseplate Installation Instructions.

Attachment Tab Height: 15"

Attachment Tab Width: 20"

**Bolt Torque Specifications**  
Torque in Foot-Pounds per Metric Bolts

Bolt Size	Grade 8.8	Grade 10.9
6MM	6	8
8MM	16	22
10MM	31	40
12MM	54	70
14MM	89	117

Confirm the towability and pre-towing procedures for your vehicle with the owner's manual or contact the vehicle's manufacturer for specific towing procedures. You can also contact REMCO for additional information at 1(800)228-2481.

**Bolt Torque Specifications**  
Torque in Foot-Pounds per Inch Bolts

Bolt Size	Grade 5	Grade 8
1/4"	10	14
5/16"	19	29
3/8"	33	47
7/16"	54	78
1/2"	78	119
5/8"	154	230

**! WARNING**

Failure to read and follow these instructions could result in separation of the towed vehicle from the tow bar, causing property damage, loss of towed vehicle, personal injury or death.

# BX1010

## 2002-03 Acura TL

### Without Foglights

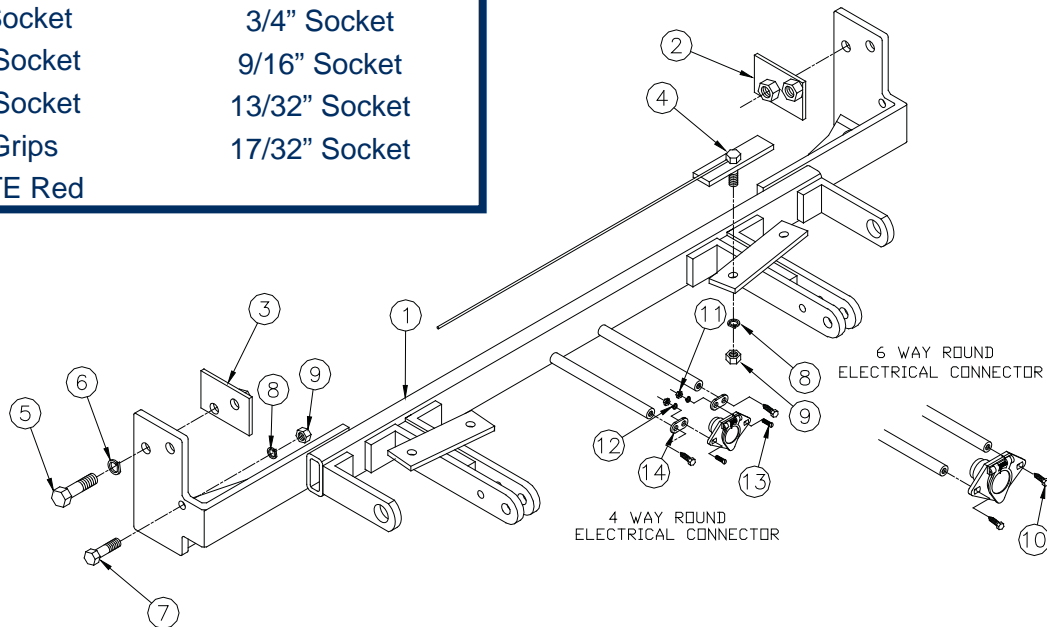
### Installation Instructions

### Parts List

Ref. No.	Qty.	Part #	Description
1	1	61-5689	Weldment, Baseplate, BX1010
2	1	61-5288	Weldment, DS, 1/2" Nut Plate
3	1	61-5289	Weldment, PS 1/2 Nut Plate
4	4	61-5676	Weldment, 3/8" Bolt Plate, w 18" Wire
5	4	201-0051	1/2-13 x 1 1/2" Hex Bolt, Grd. 5, ZP
6	4	203-0012	1/2" Lock Washer, ZP
7	2	201-0368	3/8-16 x 1 1/4" Hex Bolt, Grd. 5, ZP
8	6	203-0010	3/8" Lock Washer, ZP
9	6	202-0003	3/8-16 Hex Nut, ZP
10	2	201-0553	1/4-20 x 1/2" Hx. Wshd, Type F Screw
11	2	202-0047	#10-32 Hex Nut
12	2	203-0054	#10 Lock Washer
13	2	201-0192	#10-32 x 1/2" Slot, Rd. Hd. Screw
14	2	101-5822	Adapter, 4 Way Connector

### Tools Required

- |             |               |
|-------------|---------------|
| 8MM Socket  | 3/4" Socket   |
| 10MM Socket | 9/16" Socket  |
| 12MM Socket | 13/32" Socket |
| Vise Grips  | 17/32" Socket |
| LOCTITE Red |               |



### Important:

Use only genuine factory replacement parts on your baseplate. Do NOT substitute homemade or non-typical parts. If a bolt is lost or in need of replacement, for your safety and the preservation of your baseplate, be sure to use a replacement bolt of the same grade (In most cases it will be Grade 5, please reference the parts list above). Replacement parts may be ordered through your nearest Blue Ox® Dealer or Distributor, or call our 24/7 Customer Care Team at (402)385-3051.

BX1010  
**2002-03 Acura TL**  
Without Foglights  
Installation Instructions

### **Standard Tab Spacing Guidelines:**

Motorhome mount tow bars are recommended for use with this baseplate. Due to the design of the removable tabs, the RangeFinderII, Adventurer, and Ambassador tow bars can not be used. The Acclaim tow bar may be used, but will not fold and store on the front of the vehicle. Adapters, except the BX8833 and BX88151, can not be used with this baseplate.

### **Installation Notes:**

The front fascia and bumper are removed for the baseplate installation. Drilling is required.

The dimensional variations between otherwise identical vehicles can be considerable. While the baseplate was designed for easy installation, it may be necessary to tailor the baseplate slightly to compensate for auto manufacturer's tolerances. These minor adjustments may include filing a hole slightly, bending electrical rods, and/ or bending end plates.

The BX8869 Bulb and Socket Wiring Kit is recommended for use with this vehicle.

## **Installation Instructions**



1. Remove ten pushpins from the top edge of the front fascia. Set pushpins aside to be reinstalled later.



2. Just forward of the front tires, remove one metric bolt with the 8MM socket on the corner of the fascia. Do this to do both sides of the vehicle. Set bolts aside to be reinstalled later.

BX1010  
2002-03 Acura TL  
Without Foglights  
Installation Instructions



3. Using the 10MM socket, remove the metric bolts from the bottom edge of fascia. Do this to both sides of the vehicle. Set bolts aside to be reinstalled later.



4. Remove four pushpins on the bottom side of the fascia. Pull fascia corners out to the side of the vehicle then forward to release. Set fascia and bolts aside to be reinstalled later.



5. Place baseplate end to the outside of frame rails and clamp baseplate to bottom of the metal bumper. Do this to both sides of the vehicle. Clamp baseplate end plates to frame with the vise grips. Be sure baseplate is level with the vehicle. Using the baseplate as a template, mark and drill 13/32" holes into the bottom of the metal bumper and on the end plate. Then mark and drill the top holes with the 17/32" drill bit into the frame. Do this to both sides of the vehicle.



6. Unclamp baseplate and set a side. Using the 12MM socket, remove the two metric bolts on top and one on the bottom of the metal bumper. Do this to both sides of the vehicle. Pull forward and set metal bumper and bolts aside to be reinstalled later.

BX1010  
2002-03 Acura TL  
Without Foglights  
Installation Instructions



7. Hold baseplate to align with 17/32" drilled holes and insert the 1/2" nut plate, passenger's side into the frame end. Hand tighten the 1/2-13 x 1 1/2" hex bolts and the 1/2" lock washers. Do this to both sides of the vehicle. Reinstall metal bumper with existing metric bolts and clamp baseplate to the bottom of the metal bumper with the vise grips. Tighten 1/2-13 hex bolts with the 3/4" socket. Do this to both sides of the vehicle. **Be sure to apply LOCTITE Red to ALL bolts.**



8. Insert 3/8-16 z 1 1/4" hex bolt into baseplate's lower end plate hole on the passenger's side. Tighten 3/8-16 hex nut and lock washer. Do this to both sides of the vehicle. **Be sure to apply LOCTITE Red to ALL bolts, torque the bolts according to the chart on the front page.**

**BE SURE TO USE LOCTITE® RED ON ALL BOLTS BEFORE TIGHTENING. TIGHTEN ALL BOLTS ACCORDING TO THE TORQUE CHART ON THE FRONT PAGE OF THESE INSTRUCTIONS OR ON PAGE 3 OF THE BASEPLATE TOWING GENERAL INSTRUCTIONS.**



9. Insert the 3/8" bolt plate with 18" wire into the bumper end to align with drill holes, tighten 3/8" lock washers and 3/8-16 hex nuts. Do this on both sides of the vehicle. **Be sure to apply LOCTITE Red to ALL bolts, torque the bolts according to the chart on the front page.**

10. Reinstall fascia.

Install the tow bar and safety cables according to the instructions included in their packages.

Do Not substitute other devices if the tow bar pin and clip are lost.

**DEALER OR INSTALLER:** Be certain the user receives the instruction sheets.

BX1010  
**2002-03 Acura TL**  
Without Foglights  
Installation Instructions

**CUSTOMER SERVICE COMMITMENT**

Blue Ox is committed to providing you with exceptional customer care throughout your lifetime with our products. Our team is here to assist you with any questions you may have regarding the performance of your product. Simply call 1-800-228-9289 and you can speak with our customer care team.

Additionally, please visit our website to see which rallies our Destination America team will be attending. For a nominal fee, our service technician will service your towing system to ensure it's in proper working condition. Also as a commitment to our customers, should you visit our factory you can stay at our full service Blue Ox campground at no charge along with enjoying a factory tour.

Again thank you for being our customer and for the confidence you have shown in the performance of our products. It is because of customers like you we enjoy the success we have today.



© 2005 Blue Ox  
One Mill Road, Industrial Park  
Pender, Nebraska 68047  
Phone: (402) 385-3051  
Toll Free: (888) 425-5382  
Fax: (402) 385-3360  
[www.blueox.us](http://www.blueox.us)