



BX1128 2011-13 Dodge Durango

(Includes Adaptive Cruise Control)

2011-13 Jeep Grand Cherokee

(Includes Trail Rated With Tow Hooks and Adaptive Cruise Control)

Installation Instructions

Please read **BOTH** these Installation Instructions and the General Towing Instructions before attempting to install or operate this equipment.

Serial Number

Attachment Tab Height: 17-1/2"

Attachment Tab Width: 34-3/4"

- Blue Ox® towing products and accessories are intended to be installed by Blue Ox® Dealers who are familiar with our products and have the equipment and knowledge to do "fit work". When necessary Blue Ox® Dealers can be found at www.blueox.com or by contacting our Customer Care Department at (402) 385-3051.
- Many Blue Ox® baseplates are designed to use existing holes and hardware to mount the baseplate to the towed vehicle. Even though bolts are there, do not assume they are adequate for baseplate mounting. Always use hardware supplied in the hardware kit or existing hardware specified in the Baseplate Towing Installation Instructions.

Bolt Torque Specifications
Torque in Foot-Pounds for Metric Bolts

Bolt Size	Grade 8.8	Grade 10.9
6MM	6	8
8MM	16	22
10MM	31	40
12MM	54	70
14MM	89	117

Confirm the towability and pre-towing procedures for your vehicle with the owner's manual or contact the vehicle's manufacturer for specific towing procedures.

Bolt Torque Specifications
Torque in Foot-Pounds for Inch Bolts

Bolt Size	Grade 5	Grade 8
1/4"	10	14
5/16"	19	29
3/8"	33	47
7/16"	54	78
1/2"	78	119
5/8"	154	230



If the front of your vehicle looks different than this, call us at (402) 385-3051.

! WARNING

Failure to read and follow these instructions could result in separation of the towed vehicle from the tow bar, causing property damage, loss of towed vehicle, personal injury or death.

BX1128
2011-13 Dodge Durango
 (Includes Adaptive Cruise Control)
2011-13 Jeep Grand Cherokee
 (Includes Trail Rated With Tow Hooks and Adaptive Cruise Control)
Installation Instructions

Parts List			
Ref. No.	Qty.	Part #	Description
1	1	61-6770	WLDM'T, BP, DS, BX1128
2	1	61-6771	WLDM'T, BP, PS, BX1128
3	2	101-7577	PLATE, SUPPORT, BX1128
4	4	107-3184	TUBE, .750 OD X .531 ID X 1.719
5	4	201-0432	10MM-1.5 x 100MM HEX BOLT GR. 10.9 ZP
6	4	201-0429	10MM-1.5 x 80MM HEX BOLT GRD. 8.8 ZP
7	8	203-0104	10MM LOCK WASHER, ZP
8	4	201-0440	3/8"-16 x 1-1/2 HEX BOLT, GRD. 5, ZP
9	4	201-0368	3/8"-16 x 1-1/4 HEX HEAD BOLT, GRD. 5
10	12	203-0010	3/8" LOCK WASHER, ZP
11	8	203-0003	3/8" FLAT WASHER, ZP
12	8	202-0090	3/8"-16 HEX NYL. INS. LOCK NUT, ZP
13	2	61-5208	WLD, NUT PLT, 1/4" x 1" x 1", 3/8" WITH 14" WIRE
14	1	101-6845	BRACKET, ELECTRICAL
15	2	201-0111	1/4"-20 X 3/4" SLOT TRUSS HEAD SCREW
16	4	202-0102	1/4"-20 HEX NYL NUT, ZP
17	2	201-0192	#10-32 x 1/2" SLOT, RD. HD. SCREW
18	2	101-5822	ADAPTER, 4 WAY CONNECTOR
19	2	203-0054	#10 LOCK WASHER
20	2	202-0047	#10-32 HEX NUT
21	2	62-3468	ATT TAB ASSY, REM, SF/SB, 1 HOLE
22	4	201-0618	3/8"-16 x 4" HEX BOLT, GRD. 5, ZP
23	4	107-3191	TUBE, 3/4" OD x 13/32" ID x 2-3/4"
24	2	102-7106	SPACER, BX1128
25	1	102-7056	BREAKAWAY BRACKET, BX1128
26	1	293-1339	SWITCH, BREAKAWAY (2010-S) (Not Provided)
27	1	201-0050	1/4"-20 x 3/4" HEX BOLT GRD. 5, ZP
28	1	201-0654	#10-16 x 1" SELF DRILLING SCREW
	3	203-0002	5/16" FLAT WASHER, ZP (Not Shown)
	2	226-0049	BASEPLATE SAFETY CABLE, 36" CL IV (N S)
	2	229-0512	QUICKLINK, 1/2", ZP (Not Shown)
	4	229-0536	6.3MM, PLASTIC RIVETS (Not Shown)
	2	290-0437	RECEIVER, CAP PLUG (BLK) (Not Shown)

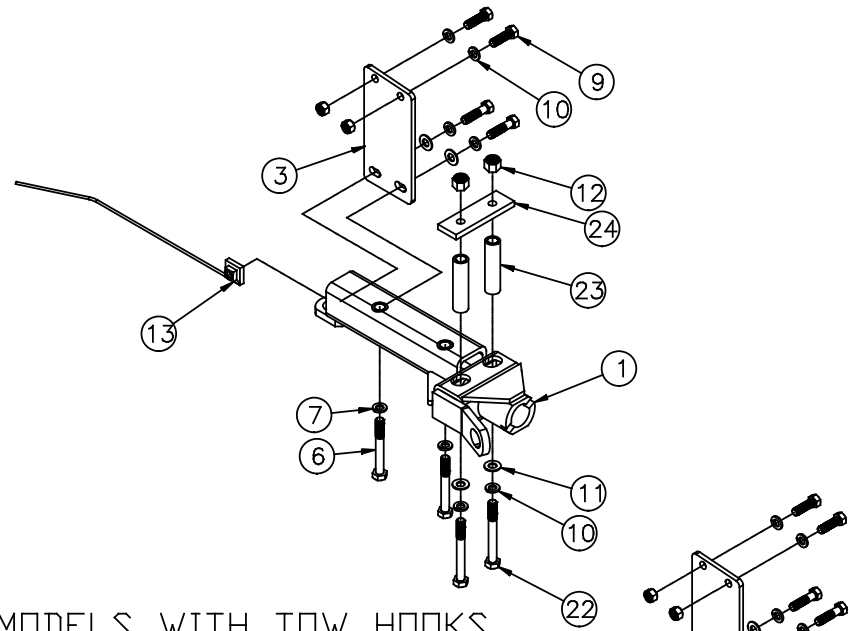
Tools Required	
8MM Socket	Flat Screw Driver
10MM Socket	Utility Knife
16MM Socket	Torque Wrench
30MM Socket/Wrench	Tape Measure
9/16" Socket/Wrench	Hack Saw Blade
Large Vise Grip	Plastic Pop Rivet Tool
Drill	13/32" Drill Bit
Loctite® RED	5/16" Drill Bit

Important:

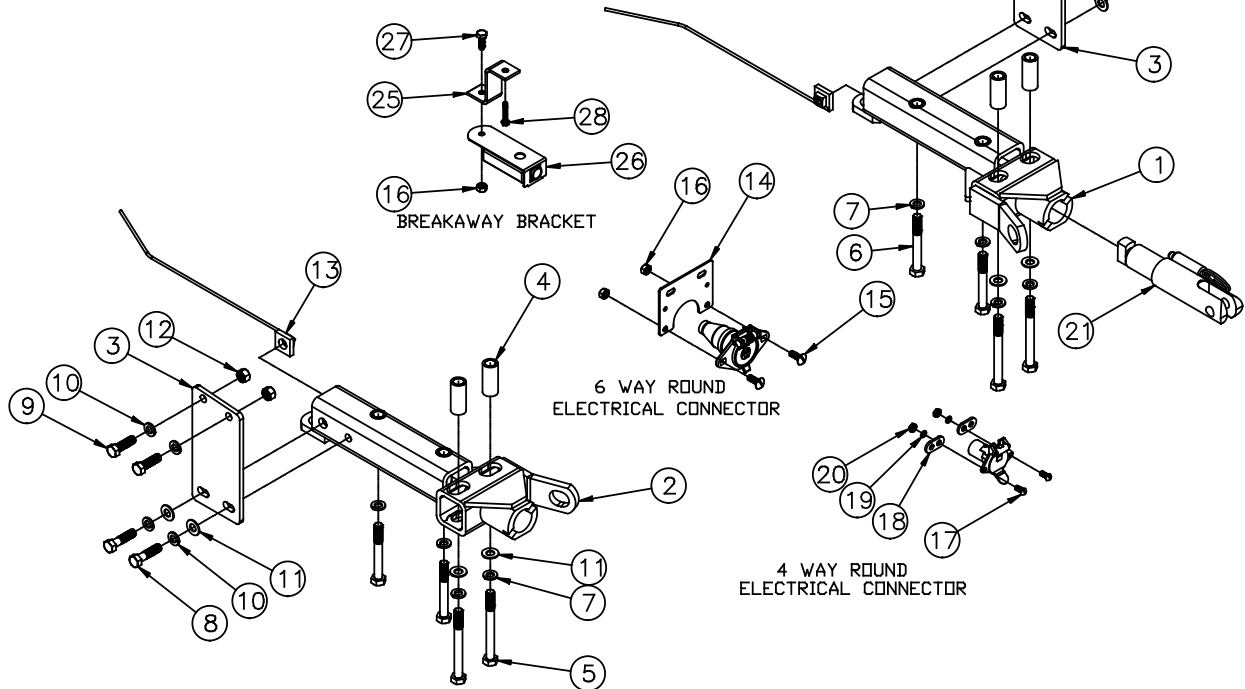
Use only genuine factory replacement parts on your baseplate. Do **NOT** substitute homemade or non-typical parts. If a bolt is lost or in need of replacement, for your safety and the preservation of your baseplate, be sure to use a replacement bolt of the same grade (In most cases it will be Grade 5, please reference the parts list above). Replacement parts may be ordered through your nearest Blue Ox® Dealer or Distributor. Failing to follow and/or altering these installation instructions in either installation or required equipment will void the manufacturer's warranty.

BX1128
2011-13 Dodge Durango
 (Includes Adaptive Cruise Control)
2011-13 Jeep Grand Cherokee
 (Includes Trail Rated With Tow Hooks and Adaptive Cruise Control)
Installation Instructions

MODELS WITHOUT TOW HOOKS



MODELS WITH TOW HOOKS



BX1128
2011-13 Dodge Durango
(Includes Adaptive Cruise Control)
2011-13 Jeep Grand Cherokee
(Includes Trail Rated With Tow Hooks and Adaptive Cruise Control)
Installation Instructions

Removable Tabs: Due to the design of the removable tabs, the RangeFinderII, Acclaim and Ambassador tow bars can not be used. Adapters, except the BX8833 and BX88151, can not be used with this baseplate.

Instructions: The front fascia, lower shield, tow hooks, and windshield washer reservoir are removed and reinstalled during the baseplate installation. **TOW HOOKS WILL NOT BE REINSTALLED.** Drilling and trimming is required.

The dimensional variations between otherwise identical vehicles can be considerable. While the baseplate was designed for easy installation, it may be necessary to tailor the baseplate slightly to compensate for auto manufacturer's tolerances. These minor adjustments may include filing a hole slightly, bending electrical rods or bending end plates.

The BX8869 Bulb and Socket Wiring Kit is recommended for this vehicle.

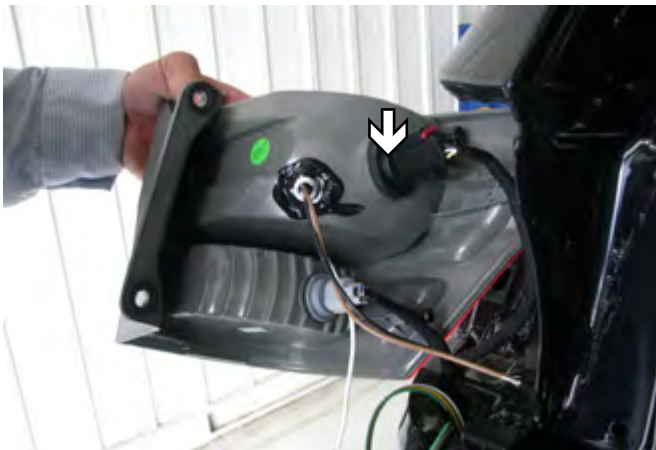
Installation Instructions



1. Release the two (2) clips on the top edge of the fascia. Pull up on the fascia to release the clips. Do this on both sides of the vehicle.



2. Using the plastic pop rivet gun, remove two (2) rivets from the wheel well cover just forward of the front tire. Do this to both sides of the vehicle. These rivets will be replaced.



Possible location for the BX8869 Bulb and Socket Wiring Kit.

Handling of some cosmetic parts when installing this product may require the use of protective covers, rags, specialty tools, etc. to prevent damage.

BX1128
2011-13 Dodge Durango
(Includes Adaptive Cruise Control)
2011-13 Jeep Grand Cherokee
(Includes Trail Rated With Tow Hooks and Adaptive Cruise Control)
Installation Instructions



3. Using a 10MM socket, remove one (1) metric bolt from just forward of the front tire, on the fascia's corner. Do this to both sides of the vehicle. Set the bolts aside to be reinstalled later.



4. Remove the push pin from above the front tire on the top of the wheel well cover. Do this on both sides of the vehicle. Set push pins aside to be reinstalled later. Pull the corner of the fascia out and to the side to release the clips. Underneath the headlights, pull straight forward. Do this on both sides.



5. Under the front of the fascia below the tow hooks, remove the four (4) push pins. Set the push pins aside to be reinstalled later.



6. Forward of the front tire on the lower side of the fascia turn the knob 90° to release the fender skirt. Unplug the electrical connections.

BX1128
2011-13 Dodge Durango
(Includes Adaptive Cruise Control)
2011-13 Jeep Grand Cherokee
(Includes Trail Rated With Tow Hooks and Adaptive Cruise Control)
Installation Instructions



7. Under the headlight close to the grille, release one (1) clip. Across the bottom of the grille release four (4) clips. Set the fascia aside carefully to be reinstalled later.



8. On the driver's side of some models, using a 10MM socket remove the three (3) metric bolts from the lower shield.



9. Inside the hood, remove the push pin from the washer reservoir spout. Set push pin aside to be reinstalled later.



10. Using an 8MM socket, remove the two (2) bolts from the side of the washer reservoir. Unplug the electrical connections, disconnect and plug the fluid lines. Set bolts and reservoir aside to be reinstalled later.

BX1128
2011-13 Dodge Durango
(Includes Adaptive Cruise Control)
2011-13 Jeep Grand Cherokee
(Includes Trail Rated With Tow Hooks and Adaptive Cruise Control)
Installation Instructions



11. Models equipped with an air compressor on the passenger side will need to carefully move the compressor. With a 10MM (might require 13MM) socket, remove the two (2) metric hex nuts from the metal bumper and one (1) on the frame just behind the compressor.

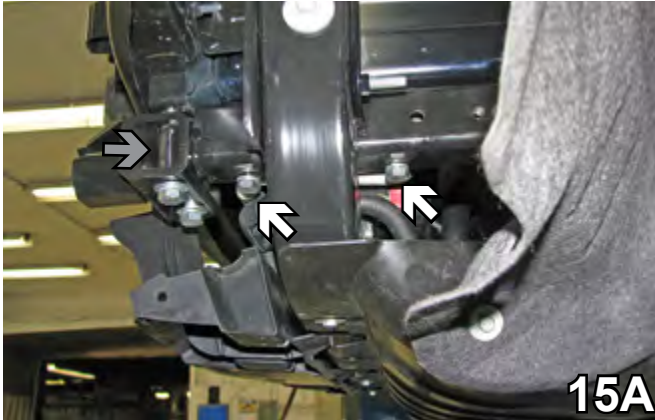


12. Move the compressor to the outside bolt location on the bumper to allow enough room to install the baseplate.
13. **Models equipped without tow hooks go to step 15B.** Using a 6MM socket remove the two (2) bolts from the tow hook. Do this to both sides of the vehicle.



14. Using a 30MM socket remove the bolt from behind the tow hook. Do this to both sides of the vehicle. **TOW HOOKS WILL NOT BE REINSTALLED.**

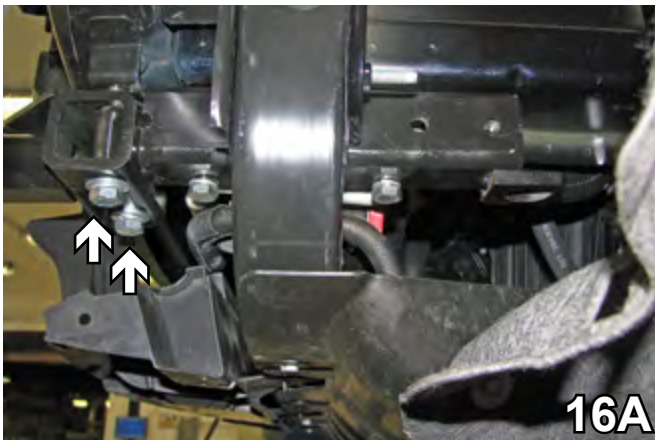
BX1128
2011-13 Dodge Durango
 (Includes Adaptive Cruise Control)
2011-13 Jeep Grand Cherokee
 (Includes Trail Rated With Tow Hooks and Adaptive Cruise Control)
Installation Instructions



15A. MODELS WITH TOW HOOKS: On the bottom of the baseplate, insert 10MM-1.5 x 80MM hex bolts with 3/8" lock washers. Be sure to use Loctite Red on all the bolts. Do this to both sides of the vehicle.



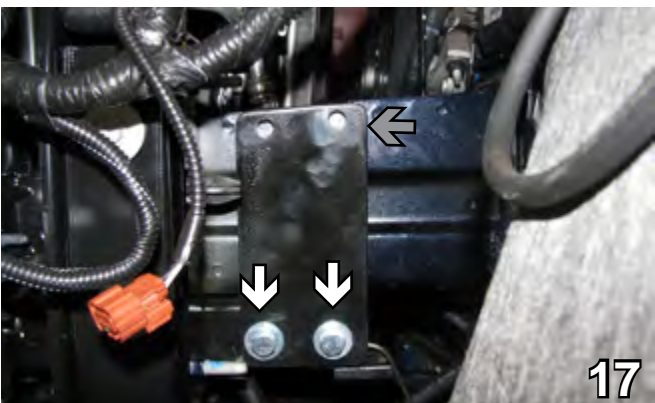
15B. MODELS WITHOUT TOW HOOKS: Insert (2) 107-3191 into place (gray arrow) before installing 10MM bolts (white arrow). Do this to both sides.



16A. MODELS WITH TOW HOOKS: In the front two (2) holes, insert 10MM-1.5 x 100MM hex bolts with 3/8" lock washers and 3/8" flat washers. Be sure to use Loctite Red on all the bolts. Do this to both sides of the vehicle.



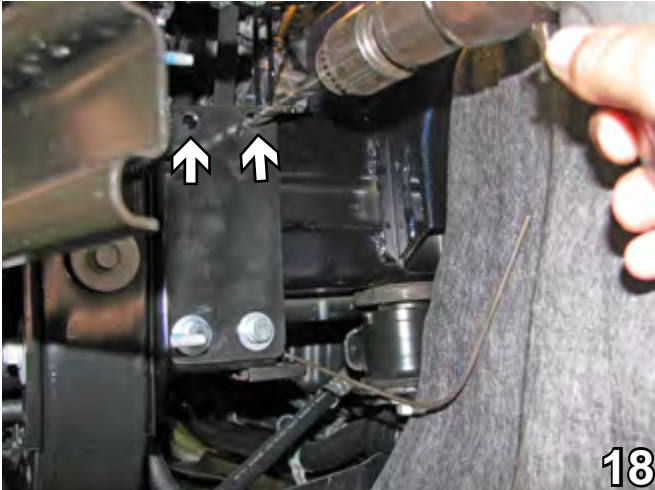
16B. MODELS WITHOUT TOW HOOKS: Insert the two (2) 3/8"-16 x 4 hex bolts with 3/8" lock washers, spacer plate (24), 3/8" flat washers and 3/8-16 hex nuts. Be sure to use Loctite Red on all the bolts. Do this to both sides of the vehicle.



17. Install the support plate with the tapered cut to the front by attaching two (2) 3/8"-16 x 1-1/2" hex bolts with 3/8" lock washers and 3/8" flat washers. Be sure to use Loctite Red on all the bolts. Adjust the height of the plate so that the top of the plate is flush with the top of the webbing on the frame rail. Do this on both sides.

BE SURE TO USE LOCTITE® RED ON ALL BOLTS BEFORE TIGHTENING. TIGHTEN ALL BOLTS ACCORDING TO THE TORQUE CHART ON THE FRONT PAGE OF THESE INSTRUCTIONS OR ON PAGE 3 OF THE BASEPLATE TOWING GENERAL INSTRUCTIONS.

BX1128
2011-13 Dodge Durango
(Includes Adaptive Cruise Control)
2011-13 Jeep Grand Cherokee
(Includes Trail Rated With Tow Hooks and Adaptive Cruise Control)
Installation Instructions



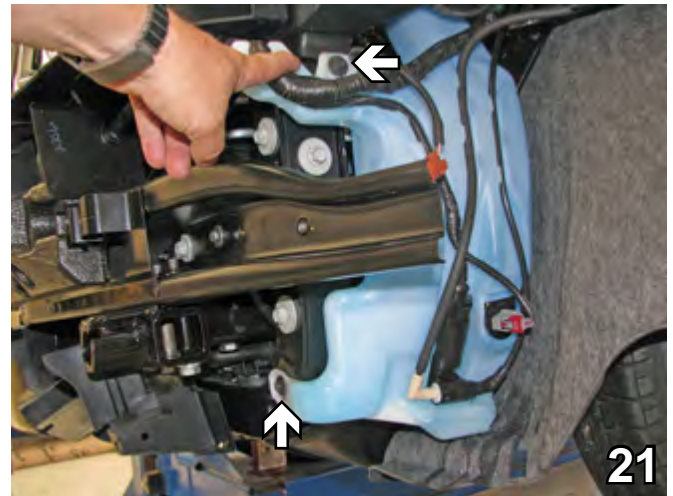
18. Using the support plate as a template, drill the **two (2) top** holes into the webbing with the 13/32" drill bit. Do this to both sides of the vehicle.



19. On the top of the support plate, insert 3/8"-16 x 1-1/4" hex bolts with 3/8" lock washers and attach to 3/8-16 lock nuts. Be sure to use Loctite Red on all the bolts. Do this to both sides of the vehicle.



20. Attach the permanent baseplate safety cables to the provided convenience link on the baseplate (gray arrow). The photo above shows the recommended installation of the cables to frame of vehicle (white arrow). Additional options may interfere with suggested mounting; in this case secure the cables to a solid piece of the frame as described in the instructions included with the permanent baseplate safety cables. Be sure the safety cables do not rub against any hoses or moving parts. Do this to both sides of the vehicle.



21. Align the washer reservoir to its original position and install the bolts. Plug in the electrical connections and connect the fluid lines. Reinstall the lower shield.

When using power drills be aware of the dangers of torque and drill bit length.

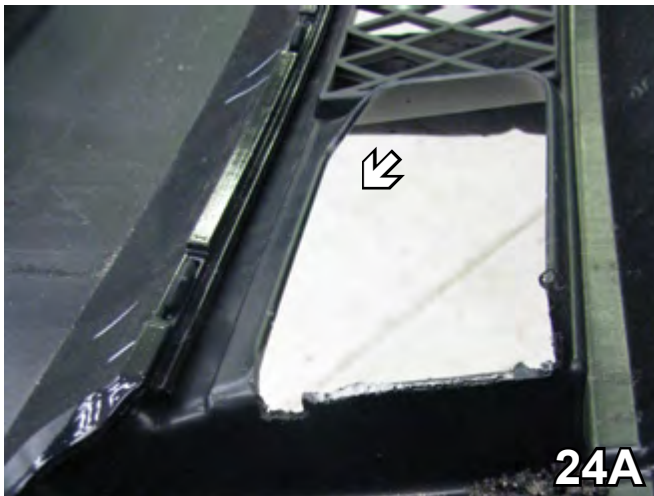
BX1128
2011-13 Dodge Durango
(Includes Adaptive Cruise Control)
2011-13 Jeep Grand Cherokee
(Includes Trail Rated With Tow Hooks and Adaptive Cruise Control)
Installation Instructions



22. Reinstall the compressor loosely. Then check the clearance between the baseplate and the compressor. Some vehicles may require two (2) or three (3) 5.8" flat washers. This will prevent the compressor from vibrating against the baseplate with the engine running.



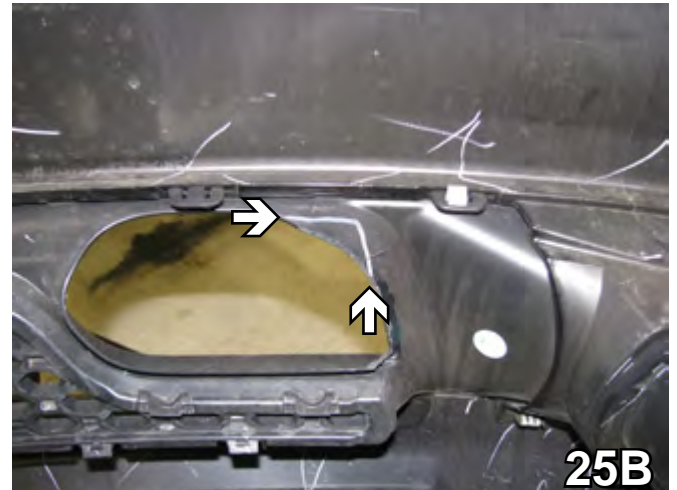
23. **JEEP:** On the back side of the fascia, cut straight across 3/4" down on the side of the fascia opening and straight up the corner. Do this on both sides.



24. **JEEP:** Notch out the corner of the fascia, cut flush with the top 1/4" down, 3/8" across and 1/4" back up. The notch allows the top gusset room to come through the opening.



BX1128
2011-13 Dodge Durango
(Includes Adaptive Cruise Control)
2011-13 Jeep Grand Cherokee
(Includes Trail Rated With Tow Hooks and Adaptive Cruise Control)
Installation Instructions

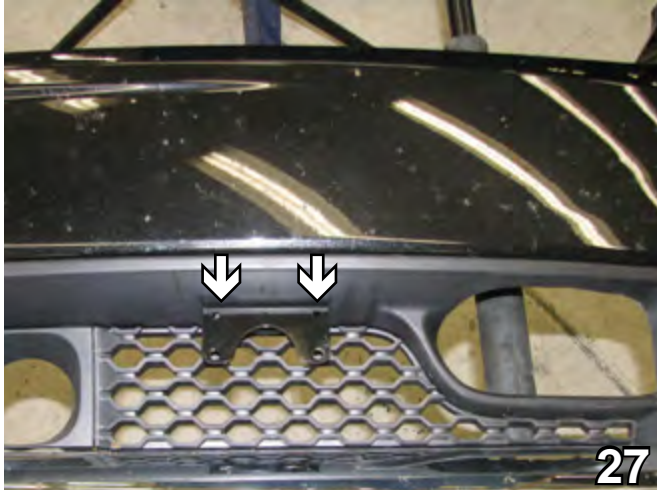


25. **DODGE: A:** On the back side of the fascia opening on the outside, cut straight across 1/2" down and around toward the front. Do this on both sides.
B: Toward the top of the fascia, round out the outside corner a little more. Do this on both sides.



26. Measure over 7" from the convenient link tab. Using an 8MM socket, install the breakaway bracket with a #10-16 x 1" self drilling screw to the underside of the bumper. Attach the breakaway to the bracket with 1/4"-20 x 3/4" hex bolt and 1/4"-20 hex nut.

BX1128
2011-13 Dodge Durango
(Includes Adaptive Cruise Control)
2011-13 Jeep Grand Cherokee
(Includes Trail Rated With Tow Hooks and Adaptive Cruise Control)
Installation Instructions



27. On the front side of the fascia center the electrical bracket between the openings on the drivers side, mark the holes. Using a 5/16" drill bit, drill the two (2) holes. The electrical bracket should be bent 90°. Install the proper connector. Reinstall the fascia.

Be sure that **ALL** electrical connections are plugged in properly and functioning **BEFORE** installing the fascia.



29. The electrical plug installed on the front of the fascia.



28. Using the plastic pop rivet gun, replace the two (2) rivets from the wheel well cover just forward of the front tire. Do this to both sides of the vehicle.

Install the tow bar and safety cables according to the instructions provided in their packages. When demonstrating this to the customer, be sure to include all the contents and packages.

Do **NOT** substitute other devices if the tow bar pins and clips are misplaced.

DEALER or INSTALLER:
Be certain the user receives the instruction sheets for their products.

BX1128
2011-13 Dodge Durango
(Includes Adaptive Cruise Control)
2011-13 Jeep Grand Cherokee
(Includes Trail Rated With Tow Hooks and Adaptive Cruise Control)
Installation Instructions



Jeep Grand Cherokee without removable tabs installed.



Jeep Grand Cherokee with removable tabs installed.



Dodge Durango with removable tabs installed.

CUSTOMER SERVICE COMMITMENT

Blue Ox is committed to providing you with exceptional customer care throughout your lifetime with our products. Our team is here to assist you with any questions you may have regarding the performance of your product. Simply call (402) 385-3051 and you can speak with our customer care team.

Additionally, please visit our website to see which rallies our Destination America team will be attending. For a nominal fee, our service technician will service your towing system to ensure it's in proper working condition. Also, as a commitment to our customers, should you visit our factory. You can stay at our full service Blue Ox campground at no charge along with enjoying a factory tour.

Again, thank you for being our customer and for the confidence you have shown in the performance of our products. It is because of customers like you we enjoy the success we have today.

If the baseplate is in an accident, it must be replaced. DO NOT use it again! An accident can cause unseen damage and using it again could result in more damage or serious injury. DO NOT use the baseplate if it is damaged or missing parts.



© 2011 Blue Ox
One Mill Road, Industrial Park
Pender, Nebraska 68047
Phone: (402) 385-3051
Toll Free: (888) 425-5382
Fax: (402) 385-3360
www.blueox.com