



# BX1133

## 2012 Jeep Wrangler Unlimited Call of Duty Installation Instructions

Approximate Attachment Tab Height: 18"

Approximate Attachment Tab Width: 24"

Serial Number

Please read BOTH these Installation Instructions and the General Instructions prior to installing or operating this equipment.

1. Blue Ox® towing products and accessories are intended to be installed by Blue Ox® Dealers who are familiar with our products and have the equipment and knowledge necessary to do "fit work". If needed, Blue Ox® Dealers can be found at [www.blueox.com](http://www.blueox.com) or by contacting our Customer Care Department at (402) 385-3051.
2. Many Blue Ox® baseplates are designed to use existing holes and hardware to mount the baseplate to the towed vehicle. Even though bolts are there, do not assume they are adequate for baseplate mounting. Always use the hardware supplied in the hardware kit and existing hardware as specified in the installation instructions.

**Bolt Torque Specifications**  
Torque in Foot-Pounds for Metric Bolts

Bolt Size	Grade 8.8	Grade 10.9
6MM	6	8
8MM	16	22
10MM	31	40
12MM	54	70
14MM	89	117

**Bolt Torque Specifications**  
Torque in Foot-Pounds for Inch Bolts

Bolt Size	Grade 5	Grade 8
1/4"	10	14
5/16"	19	29
3/8"	33	47
7/16"	54	78
1/2"	78	119
5/8"	154	230



If the front of your vehicle looks different than this, please contact us at (402)385-3051.

**Reference your vehicle owner's manual for manufacturer's towing specifications.**

**! WARNING**

Failure to read and follow these instructions could result in separation of the towed vehicle from the tow bar, causing property damage, loss of towed vehicle, personal injury or death.

BX1133  
2012 Jeep Wrangler Unlimited Call of Duty  
Installation Instructions

The dimensional variations between otherwise identical vehicles can be considerable. While the baseplate was designed for easy installation, it may be necessary to tailor the baseplate slightly to compensate for vehicle manufacturer's tolerances. These minor adjustments may include filing a hole slightly, bending electrical rods or bending end plates.

The BX8869 Tail Light Wiring Kit is recommended for this vehicle.

## ***NOTICE***

- Handling of some cosmetic parts when installing this product may require the use of protective covers, rags, specialty tools, etc. to prevent damage.
- When using power drills be aware of the dangers of torque and drill bit length.

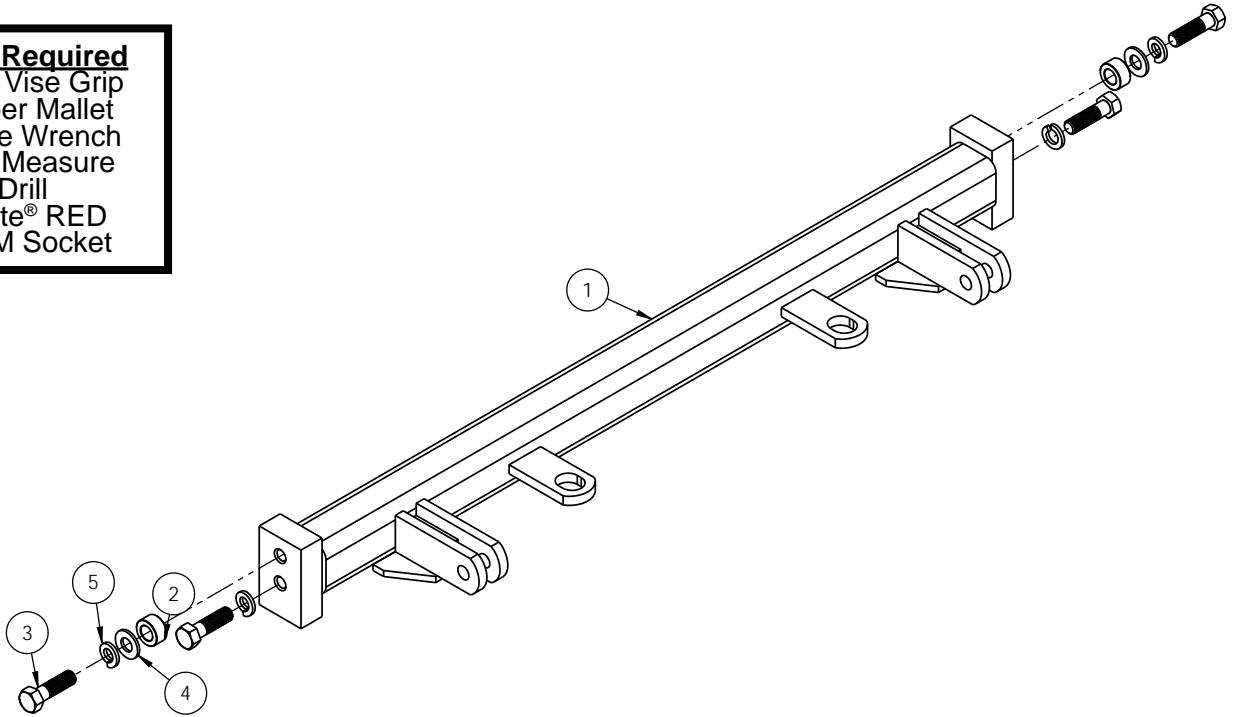


Drill a 1" hole to install the 3 wire  
automotive socket.

- Be sure that **ALL** electrical connections are plugged in properly and functioning before reinstalling the fascia.
- Do not use the towed vehicle for storing luggage, equipment, etc. This may cause you to exceed the towing capacity of the tow bar, baseplate and its accessories.
- Be sure to use Loctite® Red on all bolts before tightening. Tighten all bolts according to the torque chart provided.

BX1133  
2012 Jeep Wrangler Unlimited Call of Duty  
Installation Instructions

<p><b>Tools Required</b>                  Large Vise Grip                  Rubber Mallet                  Torque Wrench                  Tape Measure                  Drill                  Loctite® RED                  13MM Socket</p>
---



Item No.	Part No.	Description	Qty.
1.....	61-7064 .....	BX1133 Baseplate .....	1
2.....	107-3359 .....	1" OD x 7/32" ID x 1/2" Long Spacer Tube .....	2
3.....	201-0068 .....	1/2"-13 x 1-3/4" Hex Head Bolt, Grade 5, ZP .....	4
4.....	203-0005 .....	1/2" Flat Washer, ZP.....	2
5.....	203-0012 .....	1/2" Lock Washer, ZP .....	4
6.....	226-0046(not shown) .....	Class III Safety Cables .....	2
7.....	229-0359(not shown) .....	3/8" Quicklink, ZP .....	2

BX1133  
2012 Jeep Wrangler Unlimited Call of Duty  
Installation Instructions



1. Align the baseplate between the bumper brackets. Insert one (1) of the 1/2"-13 x 1-3/4" hex head bolts and 1/2" lock washers in the bottom hole and tighten securely. Do this on both sides.



2. Using a rubber mallet, insert the spacer tube into the top hole until it is flush with the hole. Insert one (1) of the 1/2"-13 x 1-3/4" hex head bolts, 1/2" lock washers and 1/2" flat washers and tighten securely. Do this on both sides.



3. If installing a breakaway switch, use a 13MM socket to remove one (1) of the existing bolts on either side of the bumper.



4. Align the hole of the breakaway switch bracket and use the fasteners provided.

BX1133  
2012 Jeep Wrangler Unlimited Call of Duty  
Installation Instructions

5. Attach the permanent baseplate safety cables to the provided convenience link on the baseplate. Additional options may interfere with suggested mounting; in this case, secure the cables to a solid piece of the frame as described in the instructions included with the permanent baseplate safety cables. Be sure the safety cables do not rub against any hoses or moving parts. Do this on both sides of the vehicle.

### **CUSTOMER SERVICE COMMITMENT**

Blue Ox® is committed to providing you with exceptional customer care throughout the lifetime of your products. Our team is here to assist you with any questions you may have regarding the performance of your product. Simply call (402) 385-3051 to speak with a member of our Customer Care team.

Additionally, please visit our website to see which rallies our Destination America team will be attending. For a nominal fee, our service technician will service your towing system to insure it is in proper working condition. As a commitment to our customers, should you visit our factory, you can stay at our full service Blue Ox® campground at no charge along with enjoying a factory tour.

Again, thank you for being a Blue Ox® customer and for the confidence you have shown in the performance of our products. It is because of customers like you that we enjoy the success we have today.

© 2012 Blue Ox  
One Mill Road, Industrial Park  
Pender, Nebraska 68047  
Phone: (402) 385-3051  
Fax: (402) 385-3360  
[www.blueox.com](http://www.blueox.com)