



# BX1848

## 2012 Nissan NV 2500/3500 Installation Instructions

Serial Number

**Attachment Tab Height: 14"**

**Attachment Tab Width: 34-1/4"**

**Please read BOTH these Installation Instructions and the General Instructions prior to installing or operating this equipment.**

- Blue Ox® towing products and accessories are intended to be installed by Blue Ox® Dealers who are familiar with our products and have the equipment and knowledge necessary to do "fit work". If needed, Blue Ox® Dealers can be found at [www.blueox.com](http://www.blueox.com) or by contacting our Customer Care Department at (402) 385-3051.
- Many Blue Ox® baseplates are designed to use existing holes and hardware to mount the baseplate to the towed vehicle. Even though bolts are there, do not assume they are adequate for baseplate mounting. Always use the hardware supplied in the hardware kit and existing hardware as specified in the installation instructions.



If the front of your vehicle looks different than this, please contact us at (402)385-3051.

**Reference your vehicle owner's manual for manufacturer's towing specifications.**

**Bolt Torque Specifications**  
Torque in Foot-Pounds for Metric Bolts

Bolt Size	Grade 8.8	Grade 10.9
6MM	6	8
8MM	16	22
10MM	31	40
12MM	54	70
14MM	89	117

**Bolt Torque Specifications**  
Torque in Foot-Pounds for Inch Bolts

Bolt Size	Grade 5	Grade 8
1/4"	10	14
5/16"	19	29
3/8"	33	47
7/16"	54	78
1/2"	78	119
5/8"	154	230

**! WARNING**

Failure to read and follow these instructions could result in separation of the towed vehicle from the tow bar, causing property damage, loss of towed vehicle, personal injury or death.

BX1848  
2012 Nissan NV 2500/3500  
Installation Instructions

**Instruction Notes:** The belly pan is removed and reinstalled for the baseplate installation. Some drilling and trimming is required.

Place all components that are removed on a flat, sturdy surface. All items will be reinstalled unless otherwise noted after the baseplate is installed.

The dimensional variations between otherwise identical vehicles can be considerable. While the baseplate was designed for easy installation, it may be necessary to tailor the baseplate slightly to compensate for vehicle manufacturer's tolerances.

The BX8869 Tail Light Wiring Kit is recommended for this vehicle.



Drill a hole according to the tail  
light wiring kit instructions.

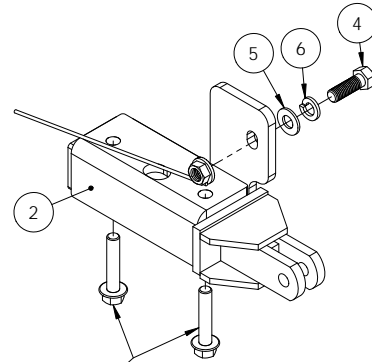
## ***NOTICE***

- Handling of some cosmetic parts when installing this product may require the use of protective covers, rags, specialty tools, etc. to prevent damage.
- When using power drills be aware of the dangers of torque and drill bit length.
- Be sure that **ALL** electrical connections are plugged in properly and functioning before reinstalling the fascia.
- Do not use the towed vehicle for storing luggage, equipment, etc. This may cause you to exceed the towing capacity of the tow bar, baseplate and its accessories.
- Be sure to use Loctite® Red on all bolts before tightening. Tighten all bolts according to the torque chart provided.

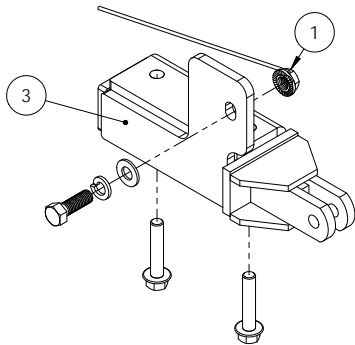
**BX1848**  
**2012 Nissan NV 2500/3500**  
**Installation Instructions**

**Tools Required**

Large Vise Grip  
 Flat Screwdriver  
 Utility Knife  
 Torque Wrench  
 Drill  
 Tape Measure  
 Loctite® RED  
 12MM Socket  
 17MM Socket  
 3/4" Socket

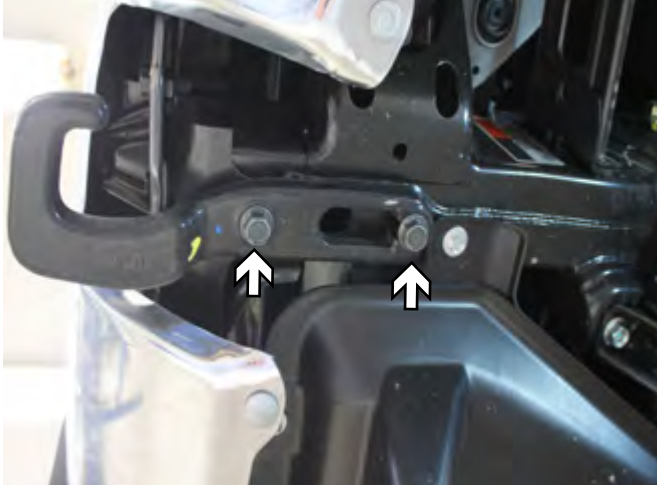


EXISTING BOLTS (4)

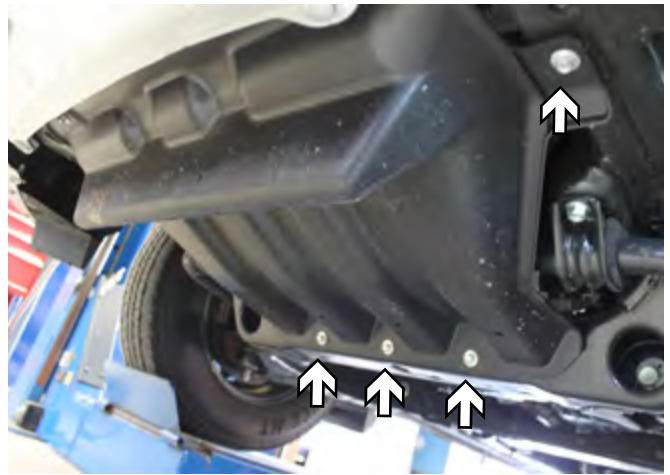


Item No.	Part No.	Description	Qty.
1.....	61-4029 .....	1/2"-13 Whiz Nut, w/10" Wire .....	2
2.....	61-7097 .....	BX1848 Baseplate, DS.....	1
3.....	61-7098 .....	BX1848 Baseplate, PS.....	1
4.....	201-0051 .....	1/2"-13 x 1-1/2" Hex Head Bolt, Grade 5, ZP .....	2
5.....	203-0005 .....	1/2" Flat Washer, ZP.....	2
6.....	203-0012 .....	1/2" Lock Washer, ZP .....	2
7.....	226-0046(not shown) .....	Class III Safety Cables .....	2
8.....	229-0359(not shown) .....	3/8" Quicklink, ZP .....	2

BX1848  
2012 Nissan NV 2500/3500  
Installation Instructions



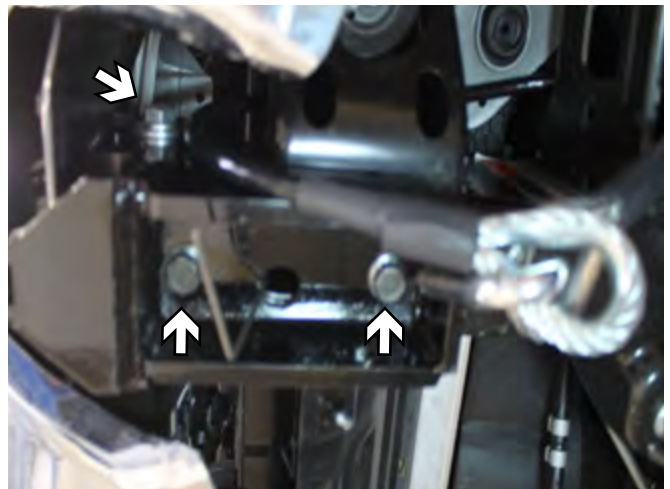
1. Using a 17MM socket, remove the two (2) bolts from the tow hook. Repeat on other side. Do not discard bolts, to be reinstalled later, the tow hooks will not be reinstalled.



2. Using a 12MM socket, remove the three (3) rear bolts and the two (2) side bolts one on either side of vehicle from the belly pan.



3. Using a 12MM socket, remove the front two (2) bolts from the belly pan and remove from the vehicle.



4. Using the two (2) existing tow hook bolts, bolt the baseplate onto the frame where the tow hook was removed. In the upper hole of the baseplate use a 1/2"-13 x 1-1/2" bolt, 1/2" flat washer, 1/2" lock washer and 1/2" whiz nut to secure in place. Attach the safety cable and quick link provided as shown around baseplate and frame. Repeat on other side of vehicle.

BX1848  
2012 Nissan NV 2500/3500  
Installation Instructions



5. Trim the belly pan side tab as needed to clear baseplate on both sides of the vehicle. Reinstall belly pan using the existing bolts.
  
6. Dealer or installer be certain the user receives the instruction sheet.

### **CUSTOMER SERVICE COMMITMENT**

Blue Ox® is committed to providing you with exceptional customer care throughout your lifetime with our products. Our team is here to assist you with any questions you may have regarding the performance of your product. Simply call (402) 385-3051 and you can speak with our customer care team.

Additionally, please visit our website to see which rallies our Destination America team will be attending. For a nominal fee, our service technician will service your towing system to ensure it's in proper working condition. Also, as a commitment to our customers, should you visit our factory, you can stay at our full service Blue Ox® campground at no charge along with enjoying a factory tour.

Again, thank you for being our customer and for the confidence you have shown in the performance of our products. It is because of customers like you we enjoy the success we have today.

© 2012 Blue Ox  
One Mill Road, Industrial Park  
Pender, Nebraska 68047  
Phone: (402) 385-3051  
Fax: (402) 385-3360  
[www.blueox.com](http://www.blueox.com)