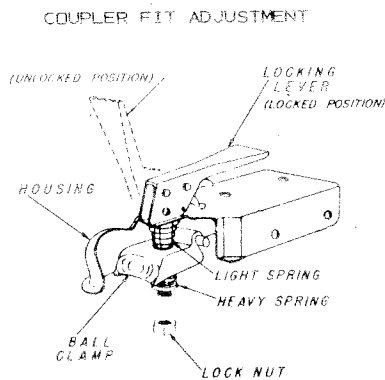
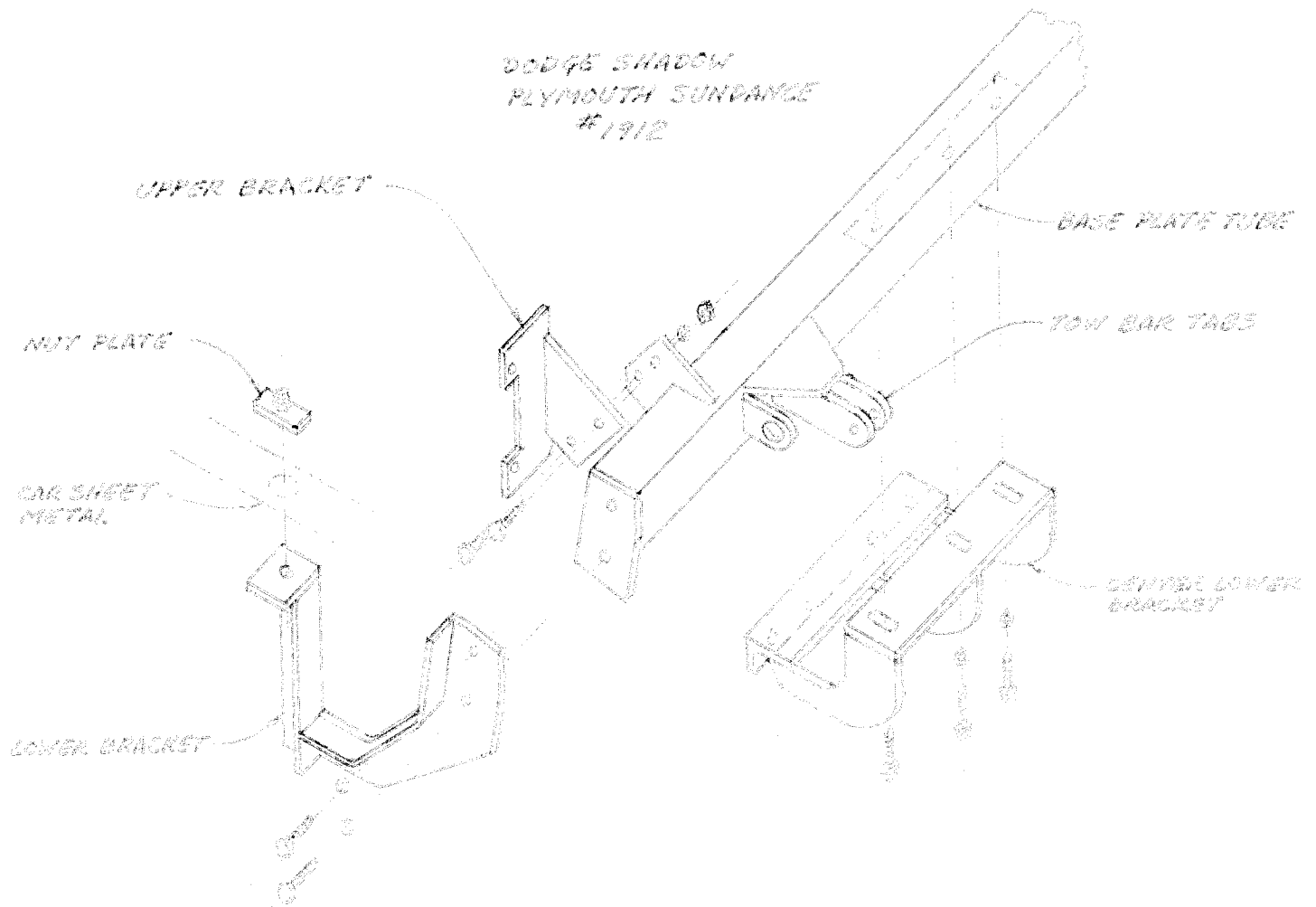
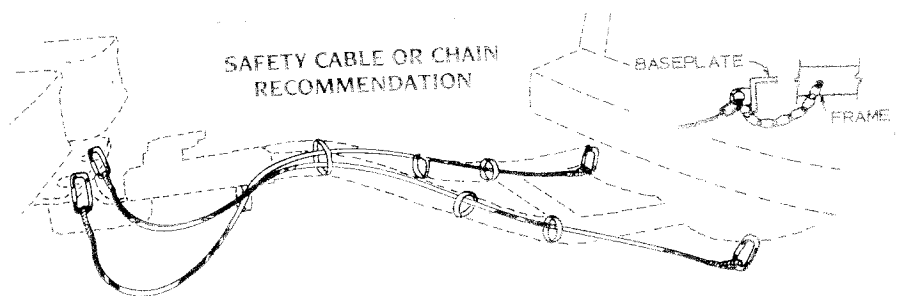


DODGE SHADOW
 PLYMOUTH SUNDANCE
 #1912



1. Using a 3/4" socket adjust the coupler to the ball by turning the nut. Tighten or loosen the nut until firm contact between coupler and ball is established.
2. Check ball to housing tension periodically and tighten if necessary.
3. Lightly lubricate the ball.



1. "X" pattern below Tow Bar solidly connected to the frame of the towing car and to the Base Plate convenience loops.
2. Permanent chains connected to the convenience loops and to the frame of the towed car.
3. Use cable or chain with at least the load rating that is on the coupler.