



Installation Instructions BX1944
Chrysler Town & Country 2001-04
Chrysler Voyager 2001-04

Serial No.

Dodge Caravan, Include Grand and Sport 2001-04

The front bumper is removed and the lower plastic rock guard is temporarily removed. Holes need to be drilled. Use Loctite on all hardware.



1. Open the hood and remove the three 8mm screws from the top of the headlights. Pull headlights out slightly and disconnect wiring, set head lights aside.



4. Remove the screws forward of the tires fastening the fender molding to the bumper fascia.



2. Remove the two 10MM Hex bolts from the top of the bumper fascia.



5. Pull molding out slightly and remove the 8MM bolts fastening the bumper fascia to the front fenders.



3. Remove the 8MM bolt at the inside seam of the fenders and bumper fascia located behind the headlamp.

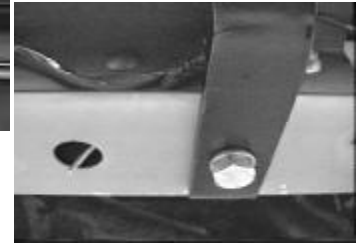


6. Remove the push pins from the bottom of the bumper fascia. Pull off the bumper fascia from the vehicle and set aside. Remove the rock guard connected to the lower cross member.

Automatic



7. Approximately 8 1/2" in from the outside of the bumper, is a hole which needs to be drilled to 1/2". Do this for both sides.



10. Drill out the bottom holes for the baseplate lower brace that extend to the lower cross member, both sides. Use 1/2" hardware according to drawing on last page. Insert the nut plates through the holes on the bottom of the cross member. **2002-03 Models** - Be sure to insert item 11 between cross member and lower brace.



8. Insert the bolt plates through the ends of the bumper and into the drilled holes. Place the baseplate up to the bolts and with the 1/2" lock washers and nuts fasten baseplate to the bumper and tighten according to the chart in the General Instruction Sheet. **For the 2002-03 models** use 1/2" spacer plate between baseplate and metal bumper as shown in drawing on last page.



11. Hold the bumper up to its original position, mark and trim the grill to allow the attachment tabs to extend through the grill. Hold the rock guard up, mark and trim so it can be replaced also. Replace the bumper and rock guard, connect electrical plugs for the tail markers and headlights.

12. Installer: Be certain to give instruction sheet to customer.



9. Use the two 3/8" holes on the outside of the baseplate braces as templates and drill holes. Use 3/8" hardware as shown in the drawing on page three and tighten.





Parts List

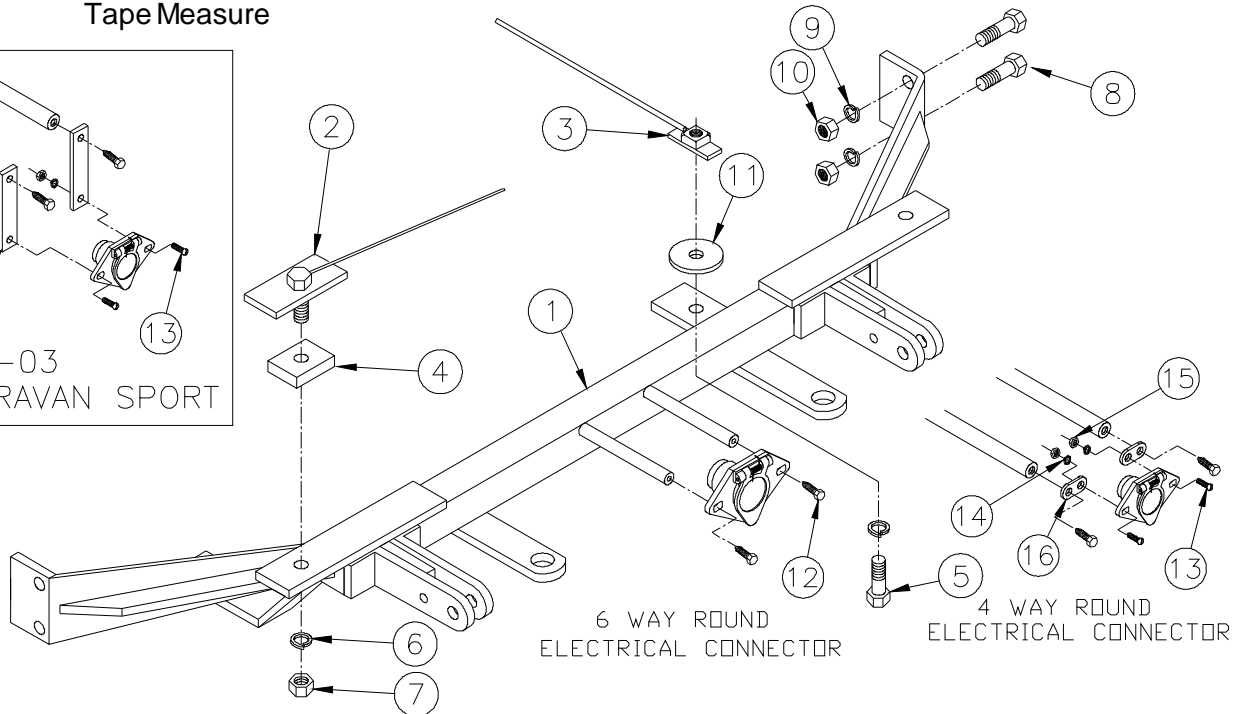
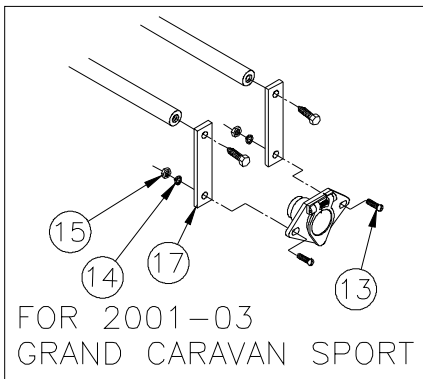
Ref. No.	Qty.	Part No.	Description
1	1	61-5534	Weldment, Base Plate, BX1944
2	2	61-5664	Weldment, 1/2-13 x 1 3/4, Bolt Plate w/Wire
3	2	61-3799	Weldment, 1/2 Nut Plate, w/Wire
4	2	102-6145	Spacer, BX1944
5	2	201-0011	1/2-13 x 1 1/4 Bolt Hex Grd 5, ZP
6	4	203-0012	1/2 Lock Washer, ZP
7	2	202-0005	1/2-13 Hex Nut, ZP
8	4	201-0443	3/8-16 x 1 Bolt Hex Grd 5, ZP
9	4	203-0010	3/8 Lock Washer, ZP
10	4	202-0003	3/8-16 Hex Nut, ZP
11	2	101-5147	1/2" Spacer Washer, ZP
12	2	201-0553	1/4-20 x 1/2 HX. WSHD. Type F, TS
13	2	201-0192	#10-32 x 1/2 Slot, RD. HD. Screw
14	2	203-0054	#10 Lock Washer
15	2	202-0047	#10-32 Hex Nut
16	2	101-5822	Adapter, 4 Way Connector
17	2	102-6040	Electrical Rod Offset
	2	226-0049	Baseplate Safety Cable, 36" CL IV (Not Shown)
	4	229-0512	Quicklink, 1/2, ZP (Not Shown)

Tools Required

10mm Wrench
8mm Wrench
3/8" Drill Bit
Tape Measure

Loctite
3/4" Wrench
7/16" Wrench

1/2" Drill Bit
9/16" Wrench
Utility Knife



Automatic