



Strong As An Ox™

## BX1972 Installation Instructions 2005 Chrysler Crossfire

Serial No.

The front fascia, belly pan, air dam and temperature sensor are removed for baseplate installation. Drilling is required. Trimming of air dam below metal bumper is required. The diode wiring kit (BX8847) is required for this vehicle. Attachment Tabs are 18 inches center to center and a height of 13 inches.



1. Remove the two metric bolts from top side of upper grill edge with the 8MM socket (white arrows), both sides. Using the 30 Torx socket, remove the Torx head screw (black arrow), on both sides.



2. Just forward of front fascia on wheel well edge are two Torx screws to remove with the 30 Torx socket, on both sides.



3. Just forward of front tire is a Torx screw. Remove with the 30 Torx socket, on both sides.



4. Forward of front tires is a metric hex nut to remove and one metric bolt to loosen with the 10MM socket, on both sides.



5. Remove the four metric bolts from the belly pan using the 8MM socket, release the two clips on the sides of belly pan, set aside.



6. Remove the metric hex nut just below metal bumper with the 10MM socket, both sides, pull fascia forward and set aside. Pull temperature sensor from the back side of bracket to release on driver's side only and set aside.



Strong As An Ox™



7. Remove the four push pins from air dam just below bottom edge of radiator.



9. Slide baseplate between frame rails just behind metal bumper and clamp to frame with the large vise grip, on both sides. **Be sure that baseplate is level with vehicle.**



11. Measure and mark 4 1/2" and 6 1/2" down from the top edge of the air dam on the passenger's side. Draw a line from front edge of air dam (Black arrow in photo above) down to the 4 1/2", mark toward the back of air dam 5/8", down to 6 1/2" mark and then mark a line to the front of vehicle. Remove this front area from the air dam with the utility knife (Black arrow in photo to the right).



8. Remove the push pin from the back side of metal bumper, on both sides, remove air dam and set aside.



10. Using the baseplate as a template, drill the three holes into the frame with the 13/32" drill bit, on both sides. Insert the nut plates into the opening on the front side of metal bumper (See white arrow in step 9) to align with drill holes, tighten the lock washers and 3/8-16 x 1 1/4" hex bolts with the 9/16" socket, on both sides. **Be sure to use Loctite red on all bolts before tightening. Tighten all bolts according to torque chart in the General Instruction sheet.**





Strong As An Ox™



- 12.** Measure and mark 6 1/4" and 8 1/4" down from the top edge of the air dam on the driver's side. Draw a line from front edge of air dam (Black arrow in photo on the right) down to the 6 1/4", mark toward the back of air dam 3/4" and down to 6 1/2" mark and then mark a line to the front of vehicle. Remove this front area from the air dam with the utility knife (White arrow in photo to the left).



- 13.** Using the utility knife, remove the areas on the back side of fascia and lower grill, shown in left photo. Release the clips on the back side of lower grill and pull grill section forward and set a side, on both sides (Driver's side shown in photos above).



- 14.** Reinstall fascia (Left photo above). Be sure that all of the electrical components are plugged in properly. With fascia install complete, hold lower grill section as close to its original position as possible and cut opening in lower grill to allow attachment tab receiver and convenience link (Safety cable connection point) to come through the lower grill. Reinstall lower grill (Right photo above).



Strong As An Ox™

15. *The dimensional variations between otherwise identical cars can be considerable. While the baseplate was designed for easy installation, it may be necessary to tailor the baseplate slightly to compensate for auto manufacturers' tolerances. These minor adjustments may include filing a hole slightly, bending electrical rods, and adding shims and/or bending endplates.*
16. *Install the tow bar and safety cables according to the instructions included in their packages.*
17. *Do **NOT** substitute other devices if the tow bar pin and clip are lost.*
18. **DEALER OR INSTALLER: BE CERTAIN THE USER RECEIVES THE INSTRUCTION SHEET.**



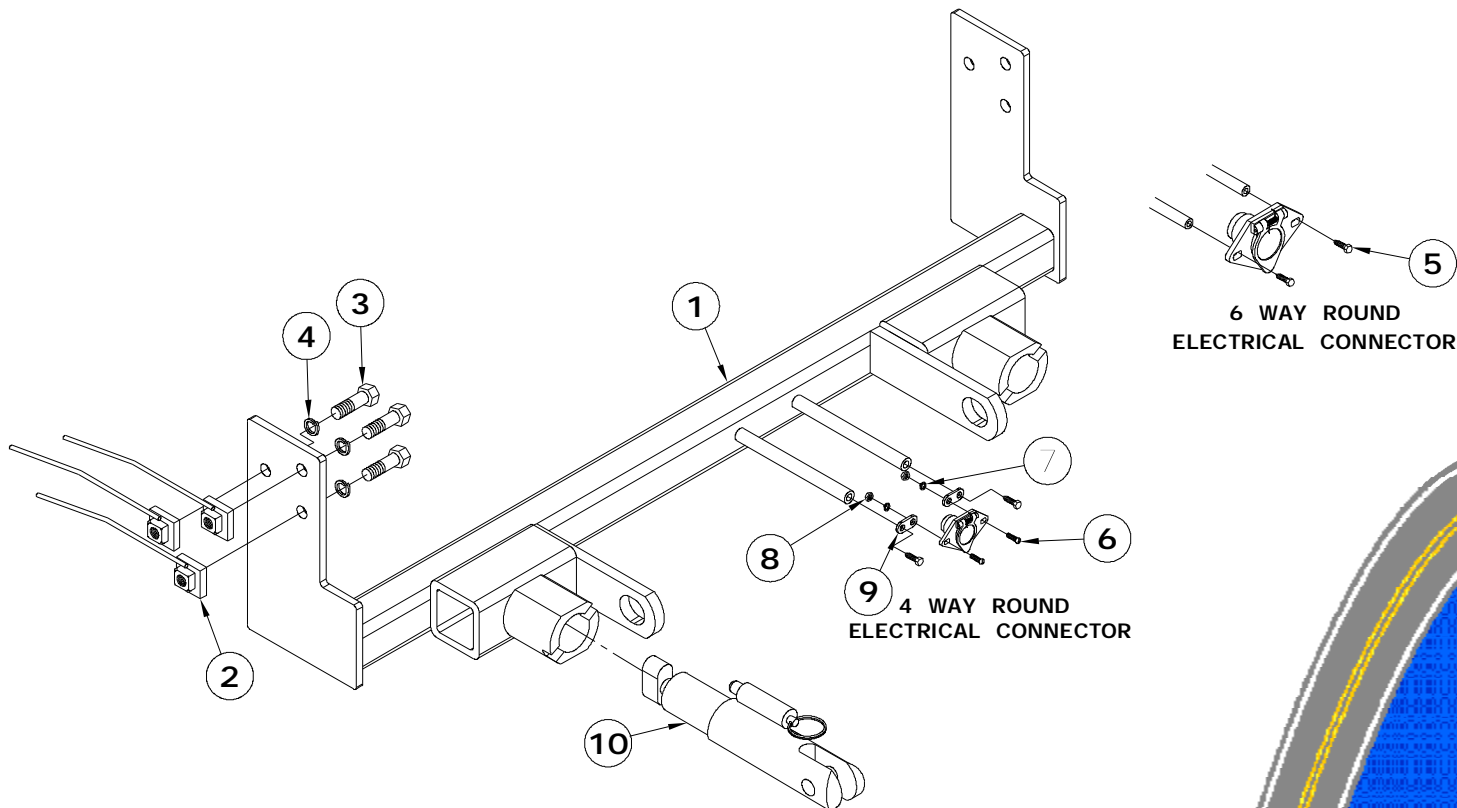


## Tools Required

8MM Socket	10MM Socket	10MM Wrench
25 Torx Socket	Loctite Red	30 Torx Socket
Utility Knife	Diagonal Cutters	13/32" Drill Bit

## Parts List

Ref. No.	Qty.	Part No.	Description
1	1	61-6138	Weldment, Base Plate, BX1972
2	6	61-5208	Weldment, 3/8-16 Nut Plate, w/ 14" Wire
3	6	201-0368	3/8-16 x 1 1/4 Hex Bolt, Grd. 5, ZP
4	6	203-0010	3/8" Lock Washer, ZP
5	2	201-0553	1/4-20 x 1/2 Hx. Wshd, Type F Screw
6	2	201-0192	#10-32 x 1/2 Slot, Rd. Hd. Screw
7	2	203-0054	#10 Lock Washer
8	2	202-0047	#10-32 Hex Nut
9	2	101-5822	Adapter, 4 Way Connector
10	2	62-3468	Attachment, Assembly, SF/ SB (R)
	2	226-0046	Baseplate Safety Cable, 36" CL III (Not Shown)
	2	229-0359	Quicklink, 3/8, ZP (Not Shown)
	2	290-0437	Receiver, Cap Plug (BLK) (Not Shown)



**IMPORTANT:** Use only genuine factory replacement parts on your Base Plate. Do not substitute homemade or non-typical parts. If a bolt is lost or in need of replacement, for your safety and the preservation of your Base Plate, be sure to use a replacement bolt of the same grade (Usually Grade 5, refer to parts list). Repair parts may be ordered through your nearest **Blue Ox** dealer or distributor.

