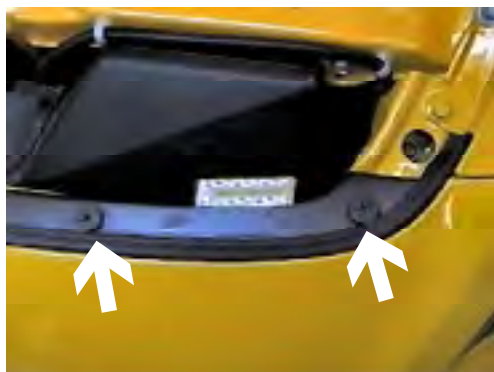




BX2235 Installation Instructions 2004 Honda S2000

Serial No.

The front fascia and solenoid are removed for baseplate installation. Drilling is required. Trimming of air dam below metal bumper is required. The BX8869 is available for the vehicle. Attachment Tabs are 20 inches center to center and a height of 12 1/2 inches.



1. Remove the five phillips screws from black plastic cover on top side of fascia with the phillips screw driver, lift cover and set aside.



2. Remove the black metric bolt from inside fender from opening at the ends of black plastic with the 10MM socket, both sides.



3. Just forward and above of front tire is one metric bolt to remove from fascia's end with the 8MM socket, both sides.



4. Forward of front tires on lower edge of front fascia are three metric bolts to remove with the 10MM socket, both sides.



5. Remove the three metric bolts and three push pins the middle of fascia's lower edge, using the 10MM socket, pull fascia forward and set aside.



6. Remove the two metric bolts from belly pan with 10MM socket and one push pin from the back middle edge and set belly pan aside.



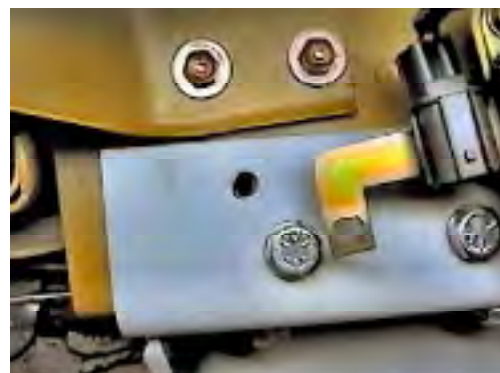
7. Using the tape measure, mark 2 1/2" down from the bottom of frame on air dam (view of passenger's side).



9. Remove two metric bolts from solenoid on driver's side with the 10MM socket and tie up out of the way.



8. Measure 2" from the back edge of air dam forward, cut upper forward section with the utility knife, remove push pin and discard cut piece, both sides.



10. Align baseplate's upper front hole with existing front for solenoid on driver's side and clamp to frame with the vise grip. Note distance from frame end to baseplate front edge, apply same to the passenger's side and clamp to frame with vise grip.

11. Using the baseplate as a template, drill the four holes into the frame with the 13/32" drill bit, both sides. Insert nut plates into frame end to align with drilled holes inside frame, install 3/8-16 x 1 1/4" hex bolts and lock washers through baseplate into nut plates, tighten both sides. **Be sure to use loctite on all bolts before tightening. Tighten all bolts according to Torque Chart in General Instruction Sheet.**





12. Reinstall solenoid using the two 6MM-1.0 x 16MM hex bolts to its original position with the 10MM socket on the driver's side.
13. Reinstall belly pan, fascia and upper black plastic cover.
14. The dimensional variations between otherwise identical cars can be considerable. While the location and size of the holes in the baseplate were designed to allow for easy installation, it may be necessary to file a hole slightly to allow a bolt to clear.
15. Install the tow bar and safety cables according to the instructions included in their packages.
16. Do **not** substitute other devices if the tow bar pin and clip are lost.
17. **DEALER OR INSTALLER: BE CERTAIN THE USER RECEIVES THE INSTRUCTION SHEET.**



Tools Required

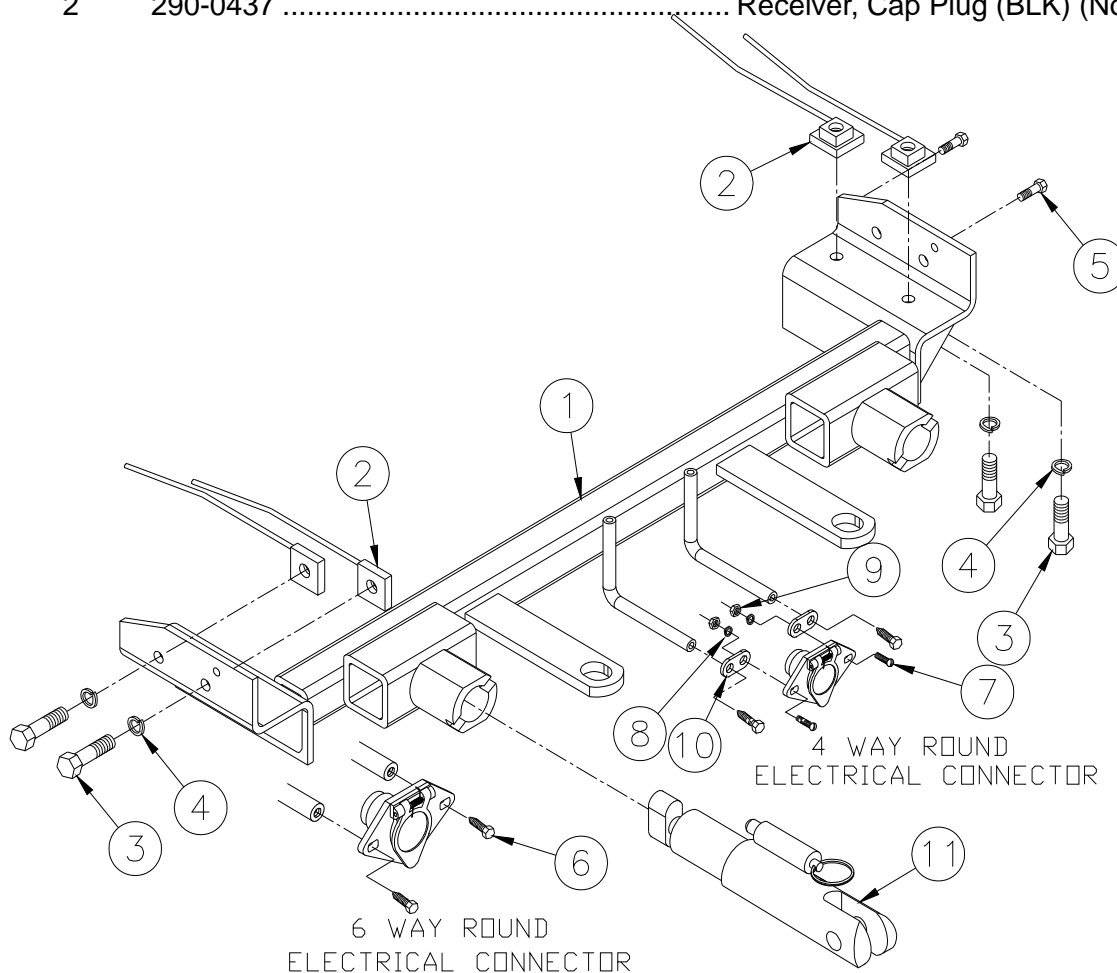
8MM Socket
Utility Knife
Phillips Screw Driver

10MM Socket
Loctite
Vise Grips

9/16" Socket
13/32" Drill Bit

Parts List

Ref. No.	Qty.	Part No.	Description
1	1	61-6011	Weldment, Base Plate, BX2235
2	8	61-5208	3/8" Nut Plate, with Wire
3	8	201-0368	3/8-16 x 1 1/4 Hex Bolt, Grd. 5, ZP
4	8	203-0010	3/8 Lock Washer, ZP
5	2	201-0461	6MM-1.0 x 16MM Hex Cap Bolt, Grd. 8.8, ZP
6	2	201-0553	1/4-20 x 1/2 Hx. Wshd, Type F Screw
7	2	202-0047	#10-32 Hex Nut
8	2	203-0054	#10 Lock Washer
9	2	201-0192	#10-32 x 1/2 Slot, Rd. Hd. Screw
10	2	101-5822	Adapter, 4 Way Connector
11	2	62-3468	Attachment, Assembly, SF/ SB (R)
	2	226-0046	Baseplate Safety Cable, 36" CL III (Not Shown)
	2	229-0359	Quicklink, 3/8, ZP (Not Shown)
	2	290-0437	Receiver, Cap Plug (BLK) (Not Shown)



IMPORTANT: Use only genuine factory replacement parts on your Base Plate. Do not substitute homemade or nontypical parts. If a bolt is lost or in need of replacement, for your safety and the preservation of your Base Plate, be sure to use a replacement bolt of the same grade (Usually Grade 5, refer to parts list). Repair parts may be ordered through your nearest **Blue Ox** dealer or distributor.