



BX2410

2013-14 Dodge Dart SXT Installation Instructions

Serial Number

Attachment Tab Height: 14"

Attachment Tab Width: 22"

Please read BOTH these Installation Instructions and the General Instructions prior to installing or operating this equipment.

- Blue Ox® towing products and accessories are intended to be installed by Blue Ox® Dealers who are familiar with our products and have the equipment and knowledge necessary to do "fit work". If needed, Blue Ox® Dealers can be found at www.blueox.com or by contacting our Customer Care Department at (402) 385-3051.
- Many Blue Ox® baseplates are designed to use existing holes and hardware to mount the baseplate to the towed vehicle. Even though bolts are there, do not assume they are adequate for baseplate mounting. Always use the hardware supplied in the hardware kit and existing hardware as specified in the installation instructions.

Bolt Torque Specifications
Torque in Foot-Pounds for Inch Bolts

Bolt Size	Grade 5	Grade 8
1/4"	10	14
5/16"	19	29
3/8"	33	47
7/16"	54	78
1/2"	78	119
5/8"	154	230
3/4"	257	380



Bolt Torque Specifications
Torque in Foot-Pounds for Metric Bolts

Bolt Size	Grade 8.8	Grade 10.9
6MM	6	8
8MM	16	22
10MM	31	40
12MM	54	70
14MM	89	117
16MM	161	230
18MM	222	318

If the front of your vehicle looks different than this, please contact us at (402)385-3051.

Reference your vehicle owner's manual for manufacturer's towing specifications.

! WARNING

Failure to read and follow these instructions could result in separation of the towed vehicle from the tow bar, causing property damage, loss of towed vehicle, personal injury or death.

BX2410
2013 Dodge Dart SXT
Installation Instructions

Instruction Notes: The fascia cover and fascia are removed and reinstalled for the baseplate installation. The bumper braces are removed and not reinstalled. Some trimming is required.

Place all components that are removed on a flat, sturdy surface. All items will be reinstalled unless otherwise noted after the baseplate is installed.

The dimensional variations between otherwise identical vehicles can be considerable. While the baseplate was designed for easy installation, it may be necessary to tailor the baseplate slightly to compensate for vehicle manufacturer's tolerances.

The BX8848 4-Diode Wiring Kit is recommended for this vehicle.

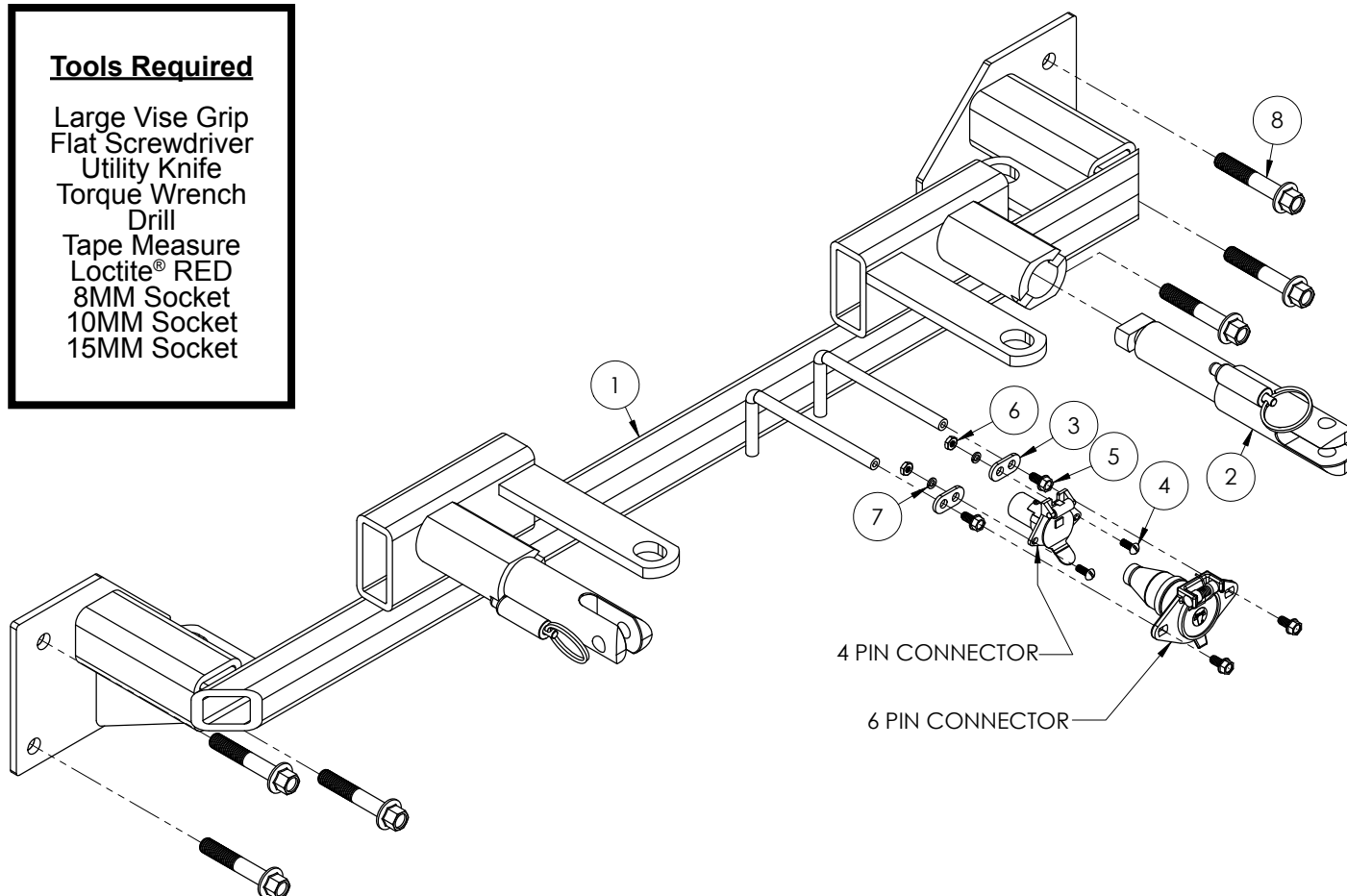
NOTICE

- Handling of some cosmetic parts when installing this product may require the use of protective covers, rags, specialty tools, etc. to prevent damage.
- When using power drills be aware of the dangers of torque and drill bit length.
- When using a reciprocating saw be aware of objects behind the cutting surface.
- Use a good quality paint to spray cut edges of frame to prevent rusting.
- Be sure that **ALL** electrical connections are plugged in and accessories are functioning properly before reinstalling the fascia.
- The baseplate is computer tested to your vehicle's GVWR, exceeding this weight will void the manufacturer's warranty.
- Be sure to use Loctite® Red on all bolts before tightening. Tighten all bolts according to the torque chart provided.
- Dealer or installer be certain the user receives these instruction sheet.
- If the baseplate is in an accident, it must be replaced. **DO NOT** use it again! An accident can cause unseen damage and using it again could result in more damage or serious injury. **DO NOT** use the baseplate if it is damaged or missing parts.

BX2410 2013 Dodge Dart SXT Installation Instructions

Tools Required

Large Vise Grip
Flat Screwdriver
Utility Knife
Torque Wrench
Drill
Tape Measure
Loctite® RED
8MM Socket
10MM Socket
15MM Socket

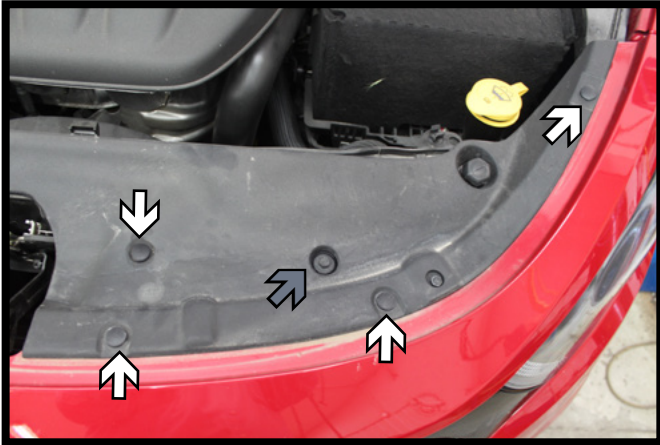


Item No.	Part No.	Description	Qty.
1.....	61-7234	BX2410 Baseplate.....	1
2.....	62-3469	Attachment Tab Assembly with Hole	2
3.....	101-5822	4 Way Connector Adapter	2
4.....	201-0192.....	#10-32 x 1/2" Round Slotted Head Screw	2
5.....	201-0553	1/4"-20 x 1/2" Hex Wshd Bolt Type F TCS, ZP.....	2
6.....	202-0047	#10-32 Hex Nut	2
7.....	203-0054	#10 Lock Washer, ZP	2
8.....	Existing.....	Bumper Bolts.....	6
9.....	226-0046(not shown)	Class III Safety Cables	2
10.....	229-0359(not shown)	3/8" Quicklink, ZP	4
11.....	290-0437(not shown)	Black Cap Plug Receiver.....	2

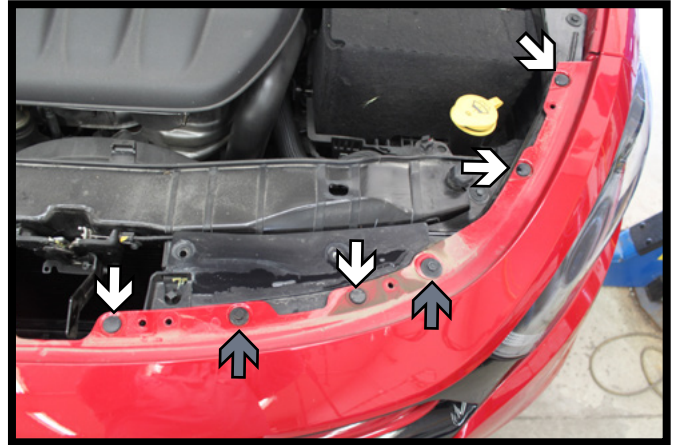
Important:

Use only genuine factory replacement parts on your baseplate. Do **NOT** substitute homemade or non-typical parts. If a bolt is lost or in need of replacement, for your safety and the preservation of your baseplate, be sure to use a replacement bolt of the same grade (In most cases it will be Grade 5, please reference the parts list above). Replacement parts may be ordered through your nearest Blue Ox® Dealer or Distributor. Failing to follow and/or altering these installation instructions in either installation or required equipment will void the manufacturer's warranty. Towing behind a non-motorized vehicle will void the warranty.

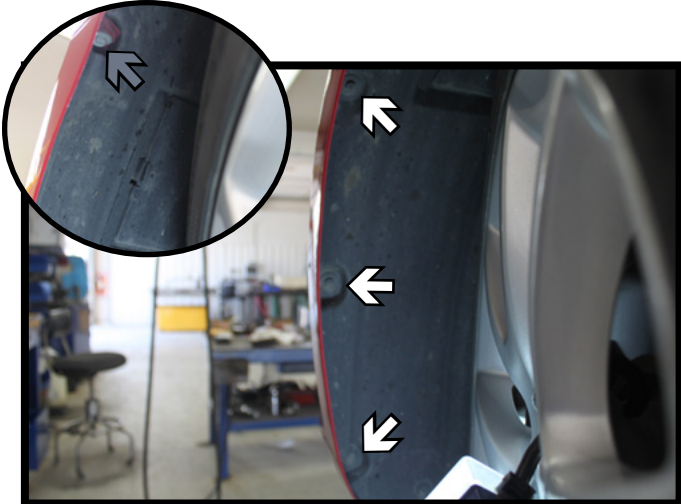
BX2410
2013 Dodge Dart SXT
Installation Instructions



1. Remove the four (4) push pins (white). Using a 10MM socket, remove the one (1) screw (gray). Do this on both sides of vehicle. Remove the top cover and set aside.



2. On top side of fascia, remove the four (4) push pins (white). Using a 10MM socket, remove the two (2) screws (gray). Do this on both sides of vehicle.



3. Using a 10MM socket, remove the one (1) upper screw from wheel well (inset). Using a 8MM socket remove the lower three (3) screws from wheel well (white). Do this on both sides of vehicle.

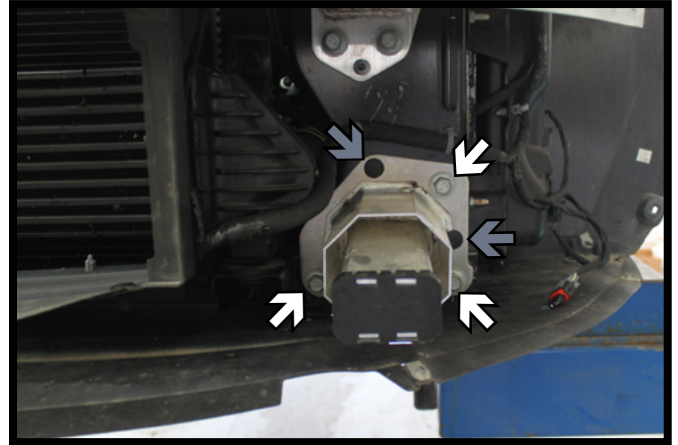


4. Using a 8MM socket remove the eight (8) screws from underneath the fascia.

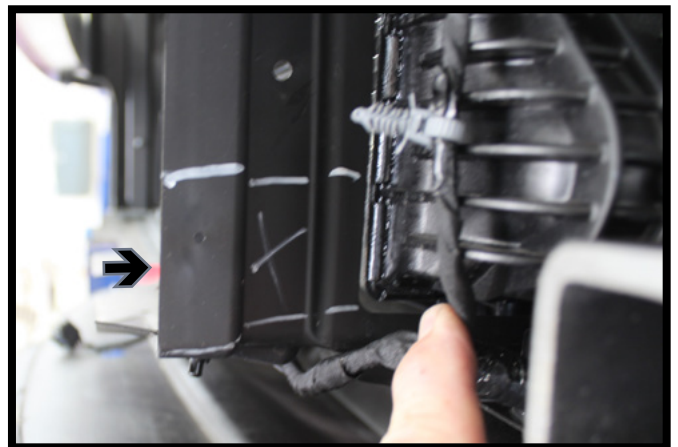
BX2410
2013 Dodge Dart SXT
Installation Instructions



5. Pull edges of fascia up and out to separate from body. Repeat on other side of vehicle. Then remove the fascia from vehicle disconnecting any electrical connections and set aside.

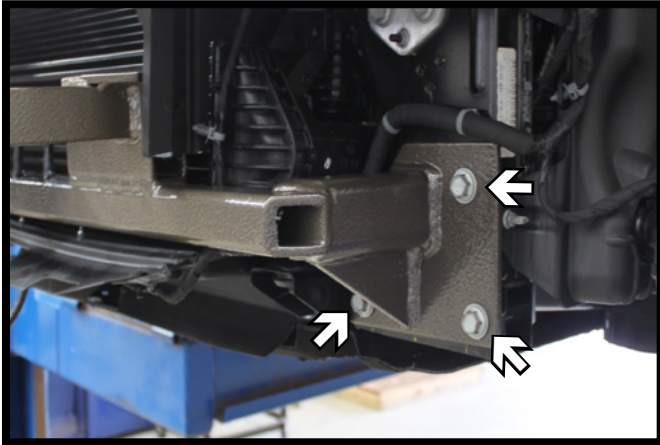


6. Remove the two (2) push pins from the brace (gray). Using a 15MM socket remove the three (3) bolts from brace (white). Do this on both sides of vehicle. Set aside the bolts for installation of baseplate, the brace and push pins will not be reused.

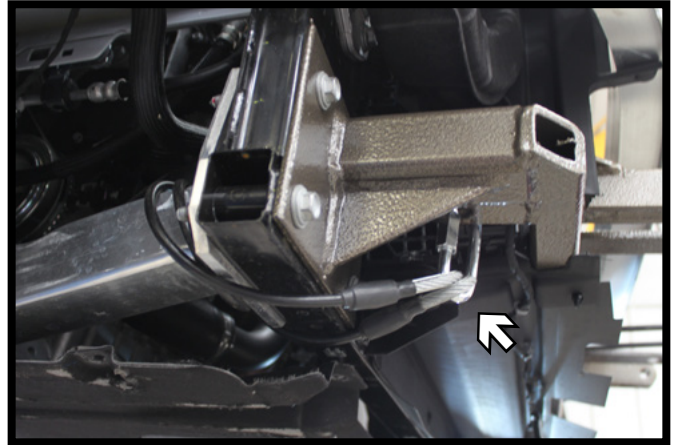


7. Trim the plastic shrouding in front of radiator on both sides of the vehicle approximately as shown for clearance of the baseplate installation. Further trimming may be required until baseplate clears the shroud.

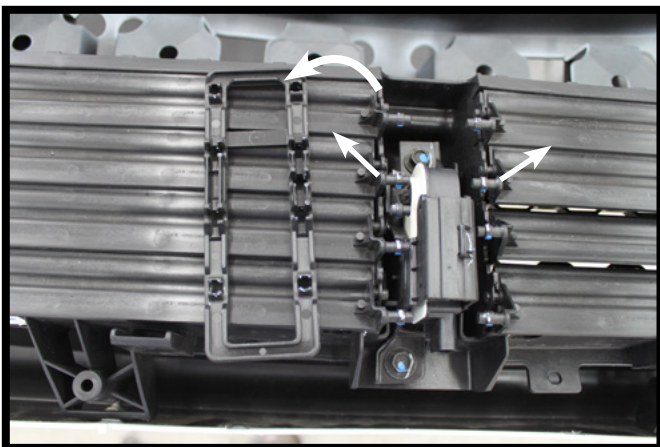
BX2410
2013 Dodge Dart SXT
Installation Instructions



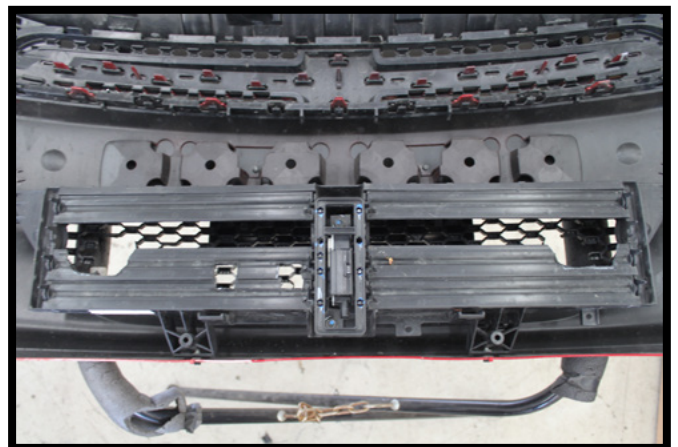
8. Attach the baseplate to vehicle using the six (6) existing holes and bolts. Be sure to use Loctite® Red on threads before tightening.



9. Attach the permanent baseplate safety cables to the provided convenience link on the baseplate. The photo above shows the recommended installation of the cables to frame of vehicle. Additional options may interfere with suggested mounting; in this case, secure the cables to a solid piece of the frame as described in the instructions included with the permanent baseplate safety cables. Be sure the safety cables do not rub against any hoses or moving parts. Do this on **BOTH** sides of the vehicle.



10. Remove the bracket in the middle of the shutter. Remove the second blade from the top of the shutter on both sides. Then reinstall the bracket.



11. On both sides of the shutter, trim the remaining shutter blades as needed to fit around the attachment tabs and electrical rods.

BX2410
2013 Dodge Dart SXT
Installation Instructions



12. Hold the fascia as close to its original position, mark and trim the fascia around the convenience links and attachment tabs. Reinstall the fascia and fascia cover.

CUSTOMER SERVICE COMMITMENT

Blue Ox® is committed to providing you with exceptional customer care throughout your lifetime with our products. Our team is here to assist you with any questions you may have regarding the performance of your product. Simply call (402) 385-3051 and you can speak with our customer care team.

Additionally, please visit our website to see which rallies our Destination America team will be attending. For a nominal fee, our service technician will service your towing system to ensure it's in proper working condition. Also, as a commitment to our customers, should you visit our factory, you can stay at our full service Blue Ox® campground at no charge along with enjoying a factory tour.

Again, thank you for being our customer and for the confidence you have shown in the performance of our products. It is because of customers like you we enjoy the success we have today.

© 2014 Blue Ox
One Mill Road, Industrial Park
Pender, Nebraska 68047
Phone: (402) 385-3051
Fax: (402) 385-3360
www.blueox.com