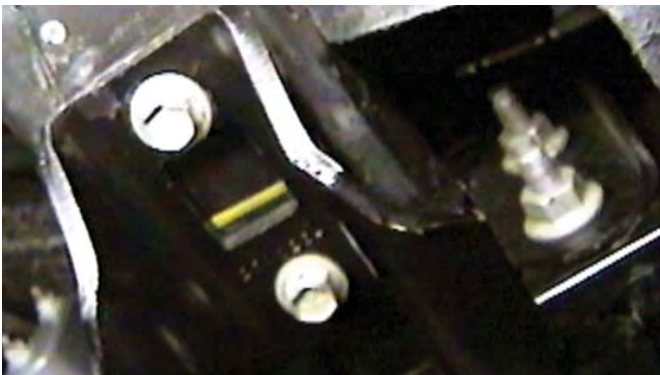




BX2167 Installation Instructions
2003-07 Ford Expedition
2003-06 Lincoln Navigator

Serial No.

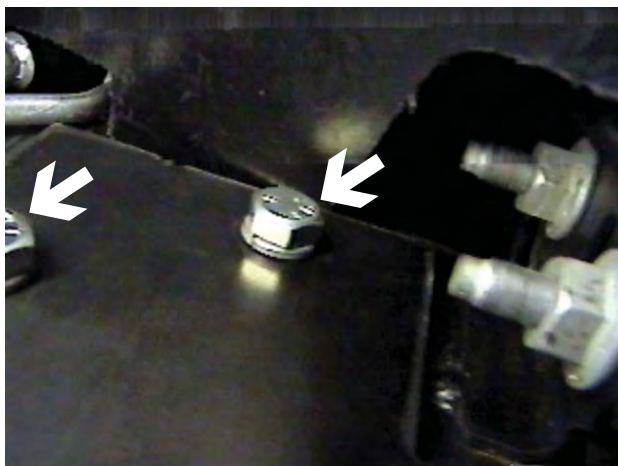
Drilling is required. No trimming is required. Factory tow hooks will not be reinstalled. The BX8869 is available for the vehicle. Attachment Tabs are 29 1/2 inches center to center and a height of 15 inches.



1. Remove the two metric bolts from the bottoms side of tow hooks using the 15MM socket, both sides. Factory tow hooks will not be reinstalled.



2. Align base plate, item 1 and 2, (note locations) with holes for tow hooks and tighten existing bolts using existing nut plate. If tow hooks were not available with your vehicle, insert wire nuts, item 3, into opening on frame to align with existing holes on bottom of frame, tighten 1/2 bolt and lock washer, items 4 and 5. **Be sure and use loctite on all bolts before tightening. Torque all bolts according to torque chart in General Instruction Sheet.**



3. Using the baseplate as a template, drill the remaining holes with the 17/32" drill bit. Insert wire nut into opening on frame to align with drilled holes and tighten 1/2-13 x 1 3/4" bolt and lock washer. **Be sure and use loctite on all bolts before tightening. Torque all bolts according to torque chart in General Instruction Sheet.**



View of driver's side.



Strong As An Ox™

Tools Required

15MM Socket

Loctite
9/16" Socket

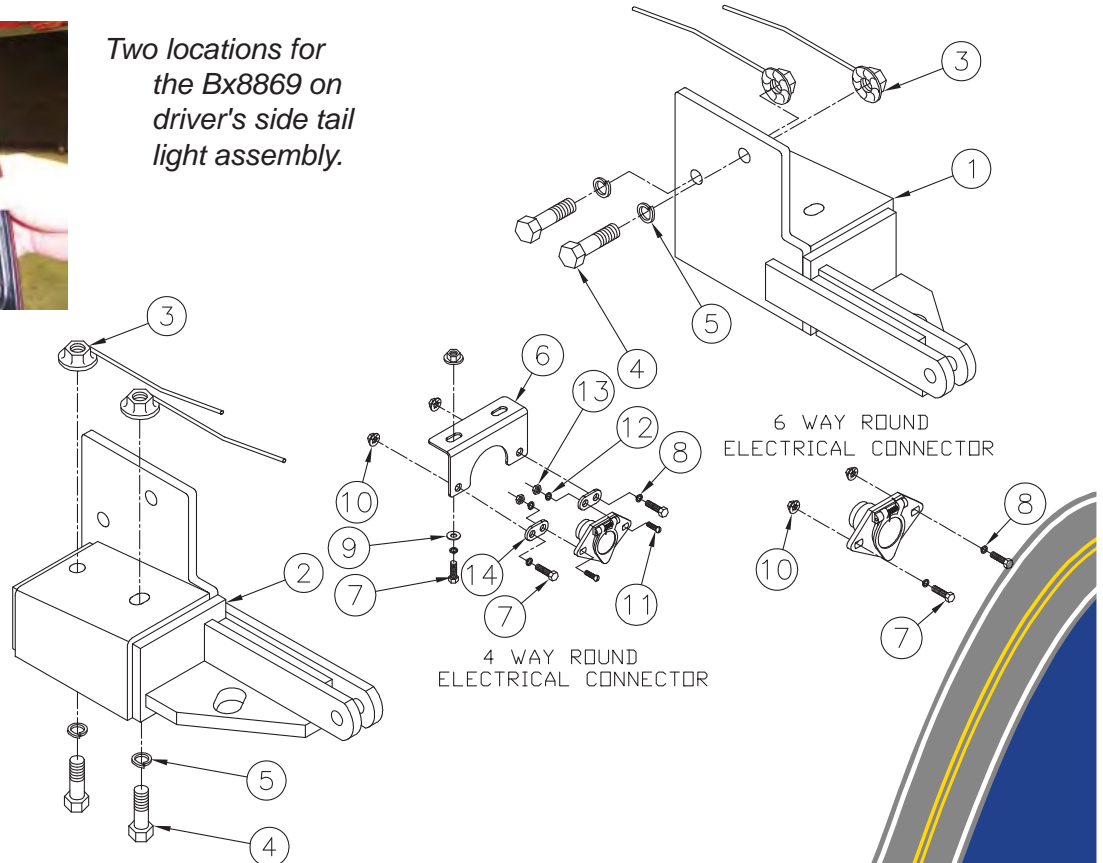
17/32" Drill Bit

Parts List

Ref. No.	Qty.	Part No.	Description
1	1	61-5889	Weldment, Base Plate, DS, BX2167
2	1	61-5890	Weldment, Base Plate, PS, BX2167
3	8	61-4029	1/2" Nut Plate, with Wire
4	8	201-0068	1/2-13 x 1 3/4 Bolt, Grd. 5, ZP
5	8	203-0012	1/2 Lock Washer, ZP
6	1	101-6135	Electrical, Bracket, BX2160
7	4	201-0569	1/4-20 x 3/4 Hex Bolt, Grd. 5, ZP
8	4	203-0008	1/4 Lock Washer, ZP
9	2	203-0001	1/4 Flat Washer, ZP
10	4	202-0069	1/4-20 Hex Whiz Nut, LocZP
11	2	201-0192	#10-32 x 1/2 Slot, Rd. Hd. Screw
12	2	203-0054	#10 Lock Washer
13	2	202-0047	#10-32 Hex Nut
14	2	101-5822	Adapter, 4 Way Connector
	2	226-0049	Baseplate Safety Cable, 36" CL IV (Not Shown)
	4	229-0512	Quicklink, 1/2, ZP (Not Shown)



Two locations for the Bx8869 on driver's side tail light assembly.



IMPORTANT: Use only genuine factory replacement parts on your Base Plate. Do not substitute homemade or nontypical parts. If a bolt is lost or in need of replacement, for your safety and the preservation of your Base Plate, be sure to use a replacement bolt of the same grade (Usually Grade 5, refer to parts list). Repair parts may be ordered through your nearest **Blue Ox** dealer or distributor.