



BX2307 Installation Instructions 1997 Hyundai Elantra

Utilization of Blue Ox baseplates with any tow bar not approved by Automatic Equipment Mfg. Co. invalidates the limited warranty. Read the General Instruction sheet included with this baseplate.

Installation of this baseplate requires removing the turn signal lights, the bumper molding, and a portion of the grill opening. Some plastic on the driver's side of the radiator needs to be trimmed.

1. The baseplate mounts to existing holes in the frame and to the left side bolt of the engine support frame.
2. The turn signals and bumper molding need to be removed in order for the baseplate to be installed. A one inch strip from the lower grill opening needs to be removed in order for the bumper molding to fit with the baseplate installed. The plastic on the drivers side of the radiator will also need to be trimmed on the bottom to fit around the baseplate.
3. Remove the turn signals that are on the outside of the headlight. There is a screw on the top of the turn signal assembly. Remove the 10mm nuts directly behind the turn signals. Next remove the four rivets on the top center of the bumper molding and the metal screw with a phillips head. It will be easier to remove the screw with a 8mm socket and ratchet. There are also two rivets that need to be removed. These are located on the upper grill opening.
4. Remove two plastic rivets that hold the black plastic fender well molding to the bumper molding. Pull up plastic and remove the nut, use a 10mm socket and ratchet. Do this for each side. Bumper molding can now be removed.
5. Notice the small piece of plastic on the lower drivers side of the radiator, the lower few inches need to be trimmed so baseplate can be installed.
6. Locate the engine support frame. There are two bolts on the front end of the frame. Remove the left side (Passenger Side) bolt and hold the baseplate in place so the bent braces hole lines up. By doing this step you will find out which bolts are used for the two side plates. Remove the bolts on each side of the frame. Bolt the baseplate to the engine support frame first using original bolt, next bolt both side plates of the baseplate to the frame using original bolts. Tighten all bolts. **USE LOCTITE BLUE ON EACH BOLT TO ENSURE THEY WILL NOT LOOSEN WHILE VEHICLE IS BEING TOWED.**
7. The lower openings of the bumper molding need to have approximately one inch trimmed off the bottom half so the molding can be reinstalled. The molding should be trimmed all the way along the bottom, back edge.
8. Replace the bumper molding and the turn signals.
9. The dimensional variations between otherwise identical cars can be considerable. While the location and size of the holes in the baseplate were designed to allow for easy installation, it may be necessary to file a hole slightly to allow a bolt to clear.
10. Install the tow bar and safety cables according to the instructions included in their packages.
11. Do not substitute other devices if the tow bar pin and clip are lost.
12. **DEALER OR INSTALLER: BE CERTAIN THE USER RECEIVES THE INSTRUCTION SHEET.**

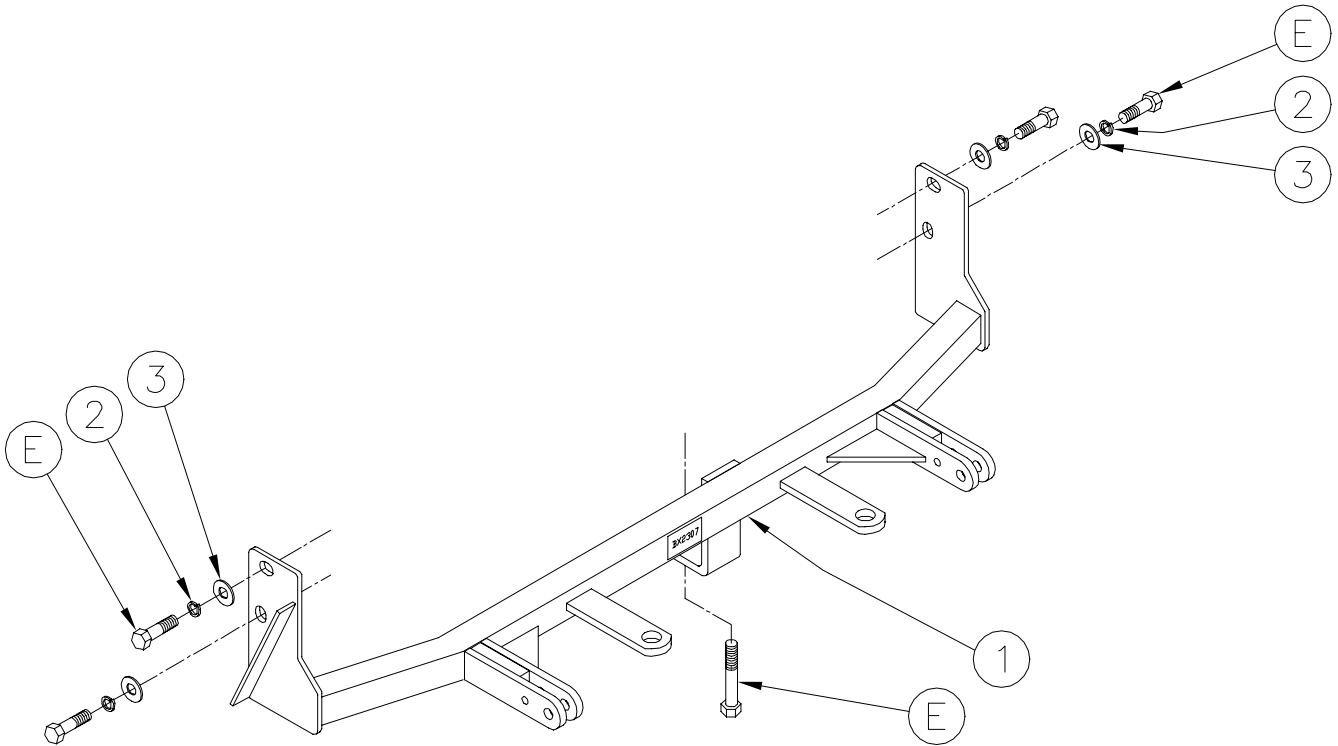
Automatic

Tools Required

17MM Wrench
10MM Wrench
Phillips Screwdriver

14MM Wrench
8MM Wrench
Utility Knife

Loctite Blue
Flat Head ScrewDriver



Part List

Ref No	Qty	Part No	Description
1	1	61-5144	Weldment, Baseplate BX2307
2	4	203-0012	1/2 Lock Washer
3	4	203-0005	1/2 Flat Washer
E	5		Existing Bolts