



**BX2508 Installation Instructions
1991-94 Mazda Navajo
1991-94 Explorer Limited**

These vehicles will weigh over 3500 lbs and require a Class III (5000 lbs.) rated tow bar, hitch, and accessories. Utilization of Blue Ox baseplates with any tow bar not approved by Automatic Equipment Mfg. Company invalidates the limited warranty.

1. Read the General Instruction Sheet included with this baseplate.
2. Using a tape measure or a ruler, measure the distance between the grill and the top of the bumper on each end and in the middle. Note these measurements so the bumper can be positioned in the same place when you put it back on.
3. Remove the bulbs from the turn signals in the lower part of the bumper. Remove the four bolts holding the bumper on and lay the bumper off to the side. These bolts will not be used in the baseplate installation. Use a wire brush or scraper to clean up frame beams in areas where baseplate will mount.
4. Position baseplate between frame beams. (See Fig. 1) Bolt the baseplate to the frame using the four 1/2" x 4" bolts. If the baseplate does not fit snugly between the beams, you will need to put washers between the baseplate and the frame beam on one or both sides. Two 1/2" flat washers have been provided for this purpose. If more washers are needed you can purchase them at any hardware store. These bolts will be removed later so tighten them only enough to hold the baseplate in position.
5. Using the holes on the bottom of the baseplate as guides, drill four 17/32" holes through the bottom of the frame beams.
6. Using the four 1/2" x 1 3/4" Grade 5 bolts provided, bolt the baseplate to the frame beams. Be sure to use Loctite Blue for each bolt.
7. Remove the four 1/2" x 4" bolts installed in Step 4.
Note: In Step 8 you will need to determine the location of the notches in the plastic and steel parts of the bumper. Since you will need to hold the bumper up to the vehicle and mark it, we recommend one or two people to hold the bumper while you mark it.
8. Hold the bumper up in front of the baseplate as close to the proper height as possible. The attachment tabs on the baseplate will come through the plastic lower part of the bumper. Mark a square around the attachment tabs. The smaller the square you cut the better the installation will look, so start small and enlarge if needed.
9. Depending on how your bumper fits your particular Navajo or Explorer, you may need to notch the lowest part of the steel portion of the bumper to allow the bumper to clear the bolts installed in Step 6. Hold the bumper in position as in Step 8. If the steel on the bumper touches the bolt head before the bumper is in its original position, you will need to notch it.
10. If you will be using a BX4212 Flip-up or a BX4222 Rangefinder tow bar, you will need to get the hold-up kit out of the tow bar box and install it on the driver's side attachment tabs. See tow bar instructions for hold-up kit mounting instructions. Hold the bumper up in front of the baseplate and see if the notch cut in Step 8 will need to be enlarged to allow for the hold-up kit.
11. Install the bumper, using the measurements taken in Step 2 as a guide. Insert the mounting bolts through the baseplate, frame beam, and the bumper mounts. Apply Loctite Blue and snug up the bolts, then stand back and visually check that the installation looks good. If the bumper appears crooked, check your measurements and adjust it before you finish tightening the bolts.

Automatic

12. The dimensional variations between otherwise identical cars can be considerable. While the location and size of the holes in the baseplate were designed to allow for easy installation, it may be necessary to file a hole slightly to allow a bolt to clear.
13. Install the tow bar and safety cables according to the instructions included in their packages.
14. Do not substitute other devices if tow bar pin and clip are lost.
15. **DEALER OR INSTALLER:** BE CERTAIN USER RECEIVES THE INSTRUCTION SHEET.

Tools Required

Tape Measure	3/4" Wrench	1/2" Wrench	19mm Wrench
Drill W/ 17/32" Drill Bit	Jig Saw	Loctite Blue	

Parts List

Ref. No.	Qty.	Part No.	Description
1	1	61-3762	Weldment, Baseplate, BX2508
2	2	61-3365	Weldment, Bent Nut Handle
3	4	201-0068	1/2-13 x 1 3/4 Hex Head Bolt, Grade 5
4	4	201-0457	1/2-13 x 4 Hex Bolt, Grade 8
5	6	202-0094	1/2-13 Hex Lock Nut W/ Nylon Insert
6	12	203-0005	1/2 Flat Washer
7	2	203-0012	1/2 Lock Washer

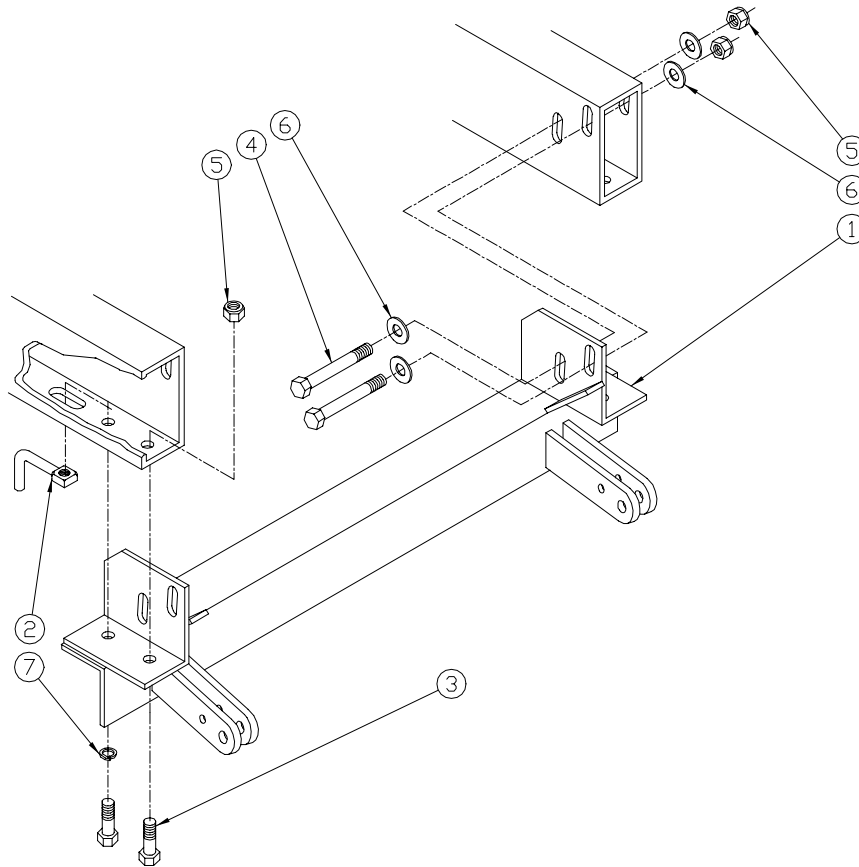


Figure 1