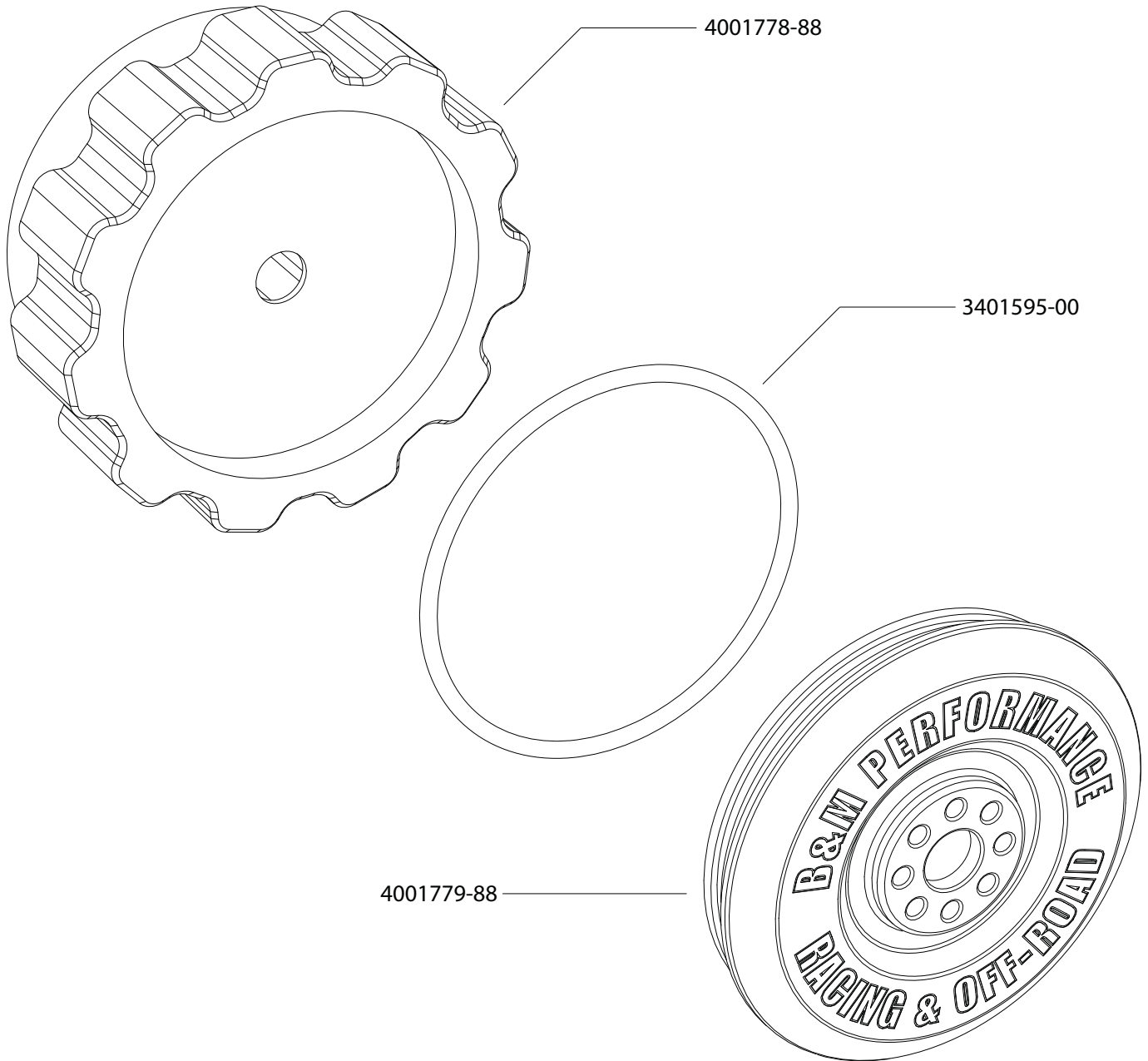




Installation Instructions for
81166
AUTOMATIC TRANS SHIFTER
KNOB/SELECTOR DIAL
FITS: 2013-2018 RAM 1500



PART NO.	DESCRIPTION	QTY.
4001778-88	Shifter Knob	1
4001779-88	Knob Insert	1
3401595-00	O-Ring	1

REVIEW INSTRUCTIONS AND VERIFY KIT CONTENTS:

1. Please take a moment to read and understand these instructions before installing your purchased performance kit. Use the parts drawing and list to verify kit contents.

NOTE: Turn your vehicle off and set parking brake before beginning install of your B&M Shifter Knob/Selector Dial.

REMOVE STOCK SHIFTER KNOB:



2. Unseat factory knob insert.



3. Remove shifter knob insert.



4. Remove screw from shifter knob then remove shifter knob from dial stem.

INSTALL B&M SHIFTER KNOB/SELECTOR DIAL:



5. Set **shifter knob (4001778-88)** onto dial stem then fasten using screw (removed step 4).



6. Fit **O-Ring (3401595-00)** into groove on **knob insert (4001779-88)**.

NOTE: Applying lubricant to the O-ring will ease insert installation onto the shifter knob.



7. Set knob insert onto shifter knob and push until it is fully seated.



Congratulations, the installation of your B&M Shifter Knob/Selector Dial is now complete!

NOTE: B&M Racing maintain a highly trained technical service department to answer your technical questions, provide additional product information and offer various recommendations.

Technical Service: (707) 544-4761
Monday – Friday: 7:30 am to 5:00 pm Pacific Time
(Closed Saturday and Sunday)

MAIN OFFICE:
100 Stony Point RD., Suite 125
Santa Rosa, CA 95401

