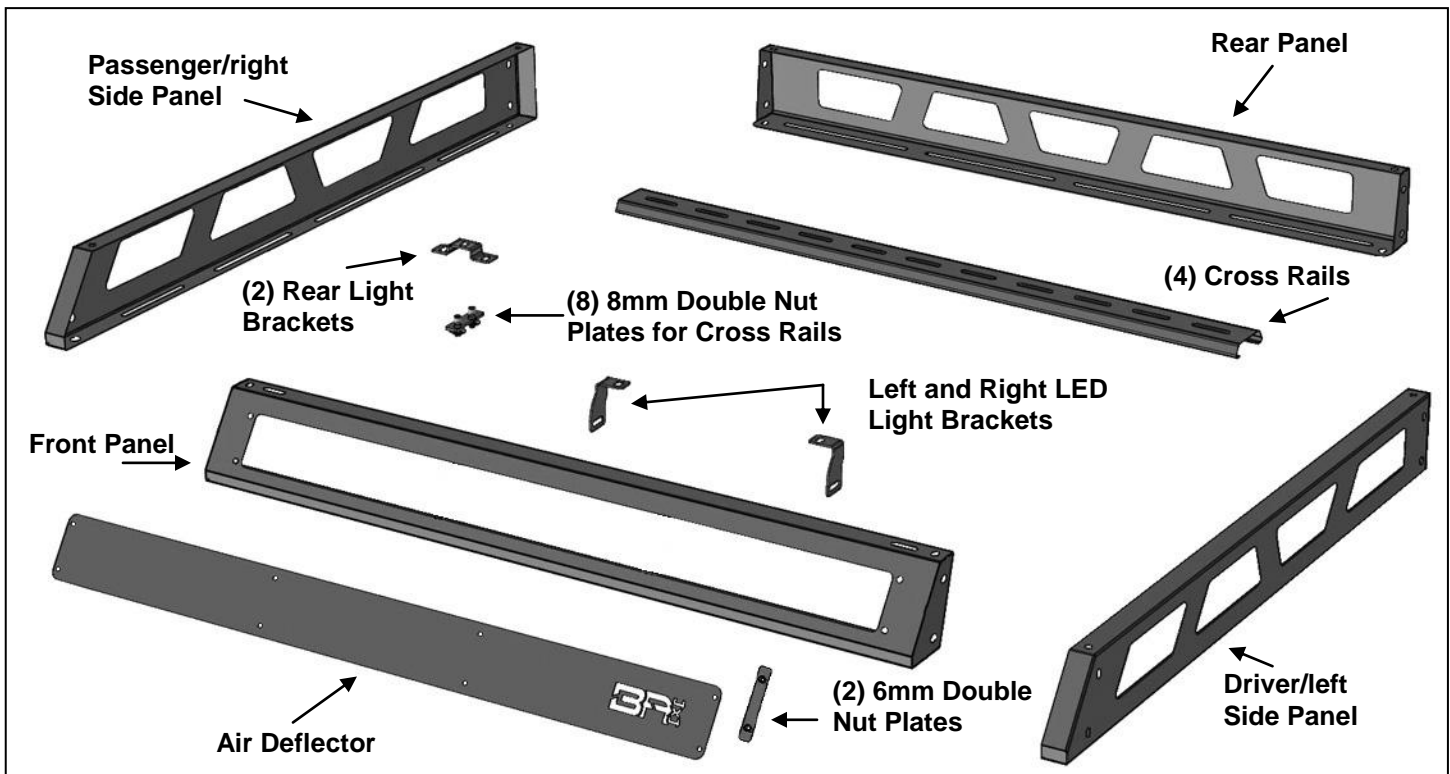


BODY ARMOR 2007-2019 WRANGLER ROOF RACK PART #5160

PARTS LIST:

1	Front Air Deflector Logo Panel	36	8-1.25mm x 25mm Button Head Bolts
1	Front Rack Panel	2	8-1.25mm x 16mm Button Head Bolts
1	Rear Rack Panel	58	8mm x 24mm x 2mm Flat Washers
1	Driver/left Rack Side Panel	36	8mm Lock Washers
1	Passenger/right Rack Side Panel	18	8-1.25mm Hex Nuts
4	Cross Rails	2	8mm Nylon Lock Nuts
1	Driver/left Front Bar Style Light Bracket	8	6-1.00 x 20mm Button Head Bolts
1	Passenger/right Front Bar Style Light Bracket	12	6mm x 18mm x 1.6mm Flat Washers
2	Rear Light Brackets (cube style lights)	8	6mm Lock Washers
8	8mm Double Nut Plates for Cross Rails	4	6-1.00mm Nylon Lock Nuts
2	6mm Double Nut Plate for Front Logo Panel	1	5mm Allen Wrench (8mm)
		1	4mm Allen Wrench (6mm)



PROCEDURE:

REMOVE CONTENTS FROM BOX. VERIFY ALL PARTS ARE PRESENT. READ INSTRUCTIONS CAREFULLY BEFORE STARTING INSTALLATION. ASSISTANCE IS HIGHLY RECOMMENDED.

1. Select the driver/left Side Panel and Front Panel. Slide the end of the Front Panel into the forward end of the Side Panel, **(Figure 1)**. Attach the Side Panel to the top and side of the Front Panel with the included (3) 8mm x 25mm Button Head Bolts, (6) 8mm Flat Washers, (3) 8mm Lock Washers and (3) 8mm Hex Nuts, **(Figures 1 & 2)**. **NOTE:** Tighten the (2) side bolts first, then tighten the top bolt.
2. Move to the remaining end of the Side Panel. Select the Rear Panel. Attach the Side Panel to the top, bottom and side of the Rear Panel with the included (4) 8mm x 25mm Button Head Bolts, (8) 8mm Flat Washers, (4) 8mm Lock Washers and (4) 8mm Hex Nuts, **(Figures 3 & 4)**. **NOTE:** Tighten the (2) side bolts first, then tighten the top and bottom bolts.
3. Next, select the passenger/right Side Panel. Repeat **Steps 1 & 2** to attach the passenger/right Side Panel to the Front and Rear Panels.
4. After assembling the sides of the Cargo Rack, level and fully tighten all hardware. Make sure the Roof Basket is square and flat before tightening.
5. Next, select (1) Cross Rail and (2) 8mm Double Nut Plates. Place the Cross Rail in place over the forward slots in the Side Rails. Insert (1) 8mm Double Nut Plate into the open bottom of the Cross Rail, **(Figure 5)**. Attach the driver/left end of the Cross Rail with Nut Plate to the driver/left Side Panel with (2) 8mm x 25mm Button Head Bolts, (2) 8mm Lock Washers and (2) 8mm Flat Washers. Repeat to attach the passenger/right end of the Cross Rail to the passenger/right Side Panel. Do not fully tighten hardware.
6. Repeat **Step 5** to attach the remaining (3) Cross Rails to the Side Panels, **(Figure 5)**.
7. Adjust location of all (4) Cross Bars as required for proper load carrying capability and fully tighten all hardware.
8. With assistance, carefully place the assembled Cargo Rack onto the previously installed front and rear Brackets. Refer to Bracket installation instructions to attach the Rack to the Brackets, **(Figures 6 & 7)**.

Front Air Deflector Installation.

- a. Select the Air Deflector Panel. Attach the outer ends of the Deflector Panel to the Front Panel with (4) 6mm Button Head Bolts, (8) 6mm Flat Washers, (4) 6mm Lock Washers and (4) 6mm Hex Nuts, **(Figure 8)**. Do not fully tighten hardware at this time.
- b. Select (1) 6mm Double Nut Plate. Hold the Nut Plate up behind the Front panel. Attach the Deflector Panel to the Double Nut Plate with (2) 6mm Button Head Bolts, (2) 6mm Lock Washers and (2) 6mm Flat Washers, **(Figure 8)**. Repeat this **Step** to attach the Deflector to the Front Panel and remaining 6mm Nut Plate.
- c. Adjust and fully tighten Air Deflector hardware.

Front LED Bar Style Light installation w/o Air Deflector, (light available separately).

- a. Select the driver/left LED "L" Bracket, **(Figure 9)**. Attach the "L" Bracket to the inside top of the Front Panel with (1) 8mm Button Head Bolt, (2) 8mm Flat Washers and (1) 8mm Nylon Lock Nut, **(Figure 9)**. Do not tighten hardware at this time.
- b. Repeat the previous Step to attach the passenger/right LED "L" Bracket.
- c. Follow the instructions included with the bar style light, (available separately), to attach the light to the "L" Brackets. **NOTE:** Option-use the included (2) 8mm x 16mm Button Head Bolts, (2) 8mm Lock Washers and (2) 8mm Flat Washers to attach the light to the Brackets, **(Figure 9)**.

- d. Adjust the light and Brackets and fully tighten all hardware.
- e. **IMPORTANT:** If wind deflector installation is desired, flip “L” Brackets side to side and attach the LED bar style light to the top of the front panel.

Rear Cube Style LED Light installation, (lights available separately).

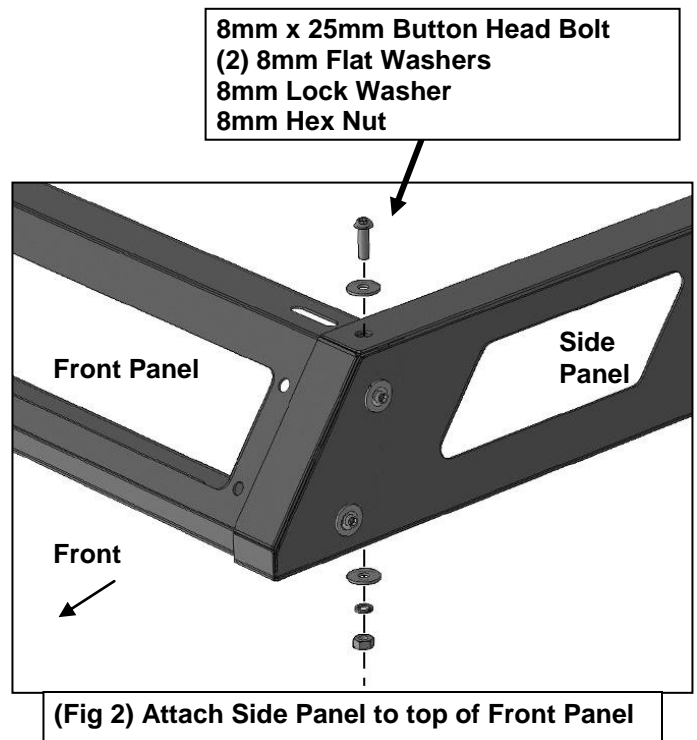
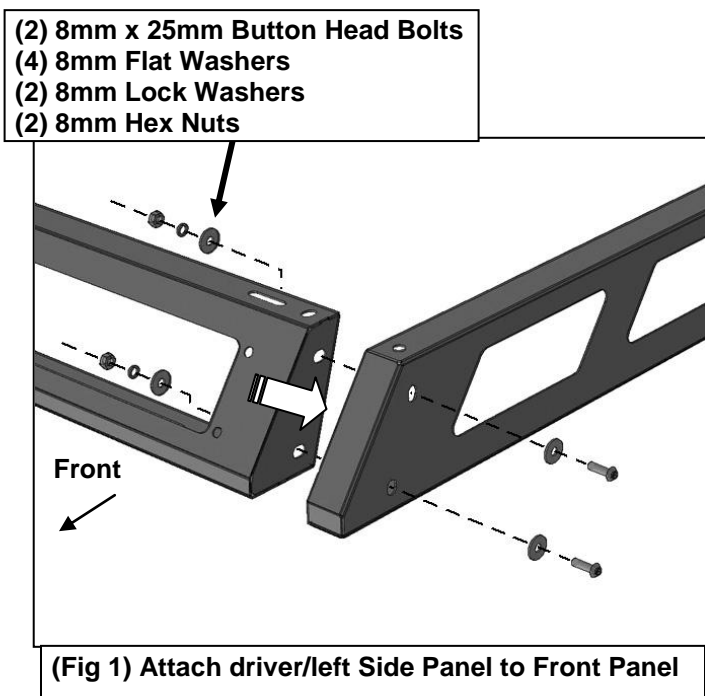
- a. Select (1) U-Bend Light Bracket, (**Figure 10**). Attach the Bracket to the bottom of the light. **NOTE:** It may be necessary to remove the hex bolt from the bottom of the light if equipped. Mounting bolt on light should go through U-Bend Bracket first then up through bracket supplied with light.
- b. Attach light with Bracket to the slot in the Rear Panel with the included (2) 8mm Button Head Bolts, (4) 8mm Flat Washers, (2) 8mm Lock Washers and (2) 8mm Hex Nuts, (**Figure 11**). Adjust location and fully tighten hardware.
- c. Repeat the previous Steps to attach the remaining rear facing light if desired.

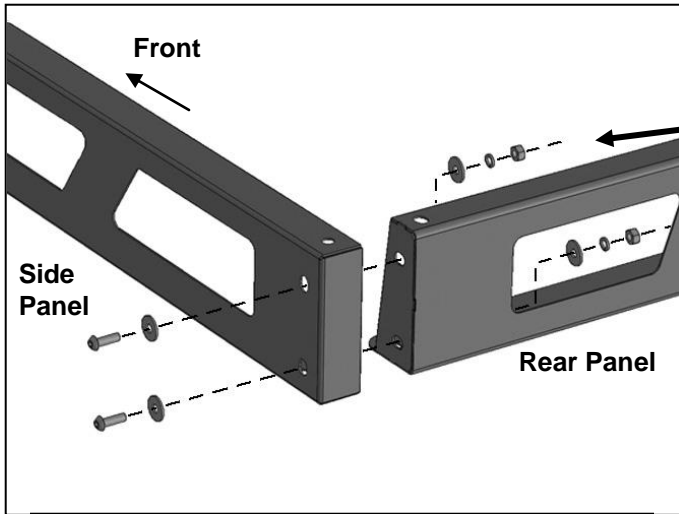
Side facing lights, (lights available separately)

- d. Attach any side facing lights directly to top of Cross Rails as desired. **NOTE:** Slots have been provided for additional light installation, (lights not included). Lights can be installed in multiple locations along the front, sides and rear of the Cargo Rack.

- 9. Do periodic inspections to the installation to make sure that all hardware is secure and tight.

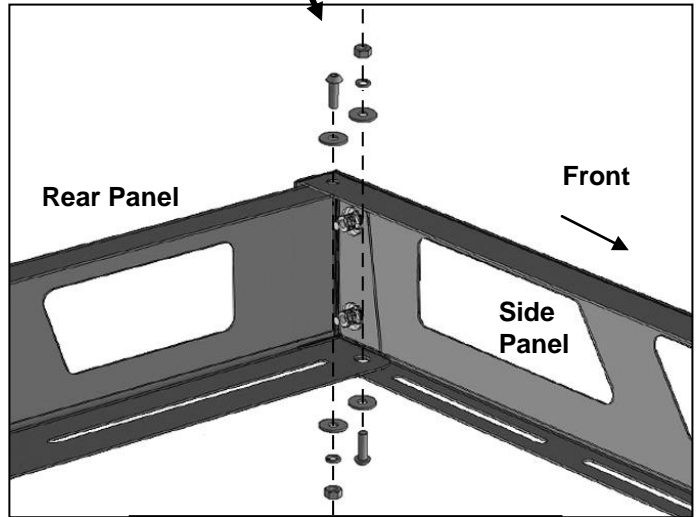
To protect your investment, wax this product after installing. Regular waxing is recommended to add a protective layer over the finish. Do not use any type of polish or wax that may contain abrasives that could damage the finish. Mild soap may be used to clean the Cargo Rack.



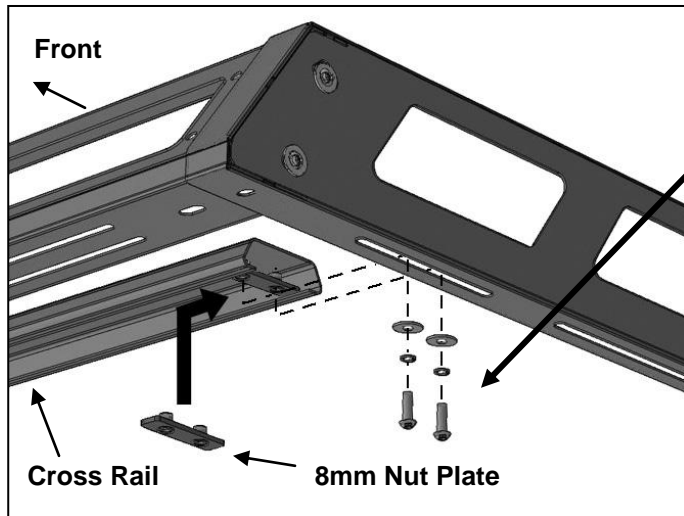


(Fig 3) Attach Side Panel to side of Rear Panel

- (2) 8mm x 25mm Button Head Bolts
- (4) 8mm Flat Washers
- (2) 8mm Lock Washers
- (2) 8mm Hex Nuts



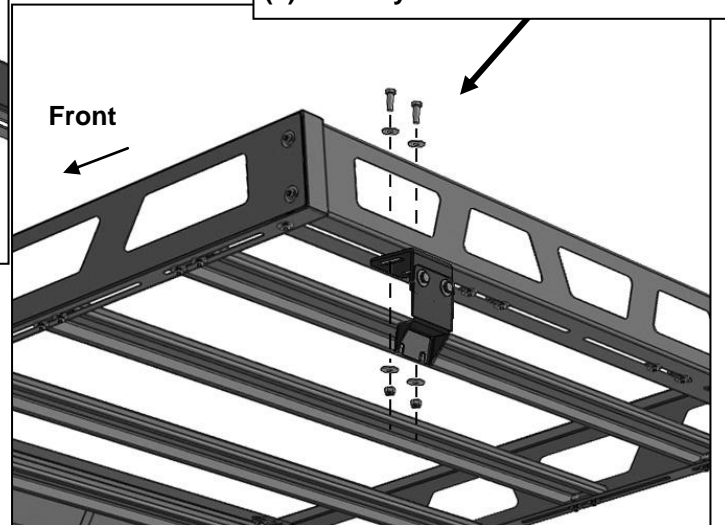
(Fig 4) Attach Side Panel to top and bottom of Rear Panel



(Fig 5) Insert 8mm Double Nut Plate into Cross Rail. Attach Cross Rails to slots in Side Panels

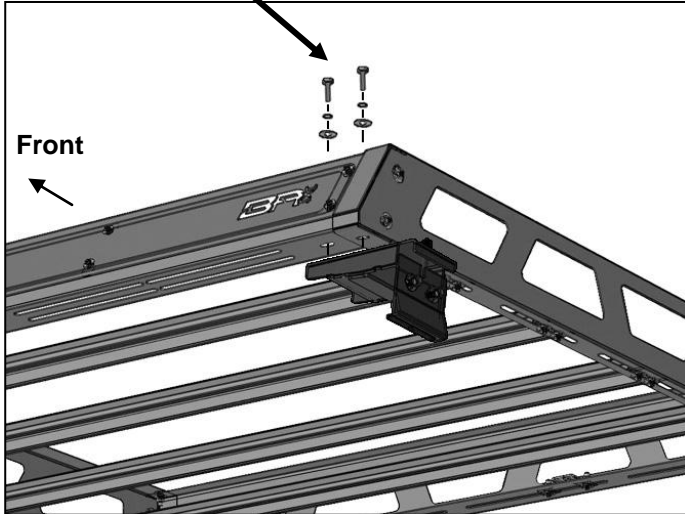
- (2) 8mm x 25mm Button Head Bolts
- (2) 8mm Lock Washers
- (2) 8mm Flat Washers

- (2) 8mm x 25mm Button Head Bolts
- (4) 8mm Flat Washers
- (2) 8mm Nylon Lock Nuts



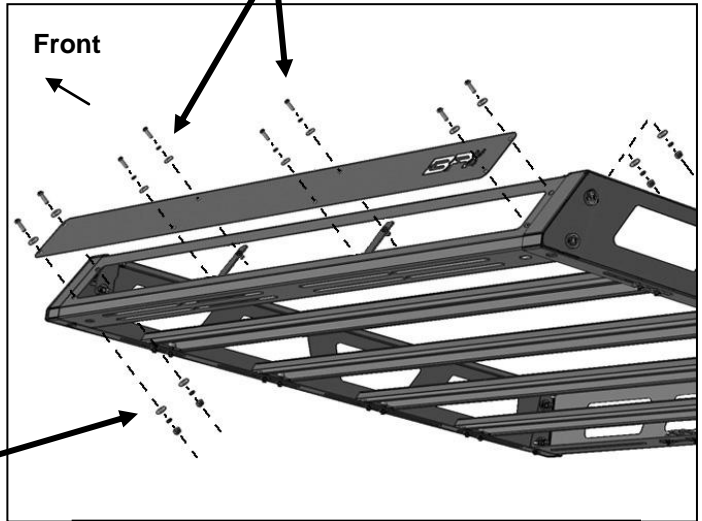
(Fig 6) Attach rear of Cargo Rack to Rear Brackets

- (2) 8mm x 25mm Button Head Bolts
- (2) 8mm Lock Washers
- (2) 8mm Flat Washers



(Fig 7) Attach front of Cargo Rack to front Brackets. Slide front Brackets forward or rearward to line up with front mounting holes in Cargo Rack

- Attach inner Air Deflector
- (2) 6mm x 20mm Button Head Bolts
- (2) 6mm Lock Washers
- (2) 6mm Flat Washers
- 6mm Double Nut Plate

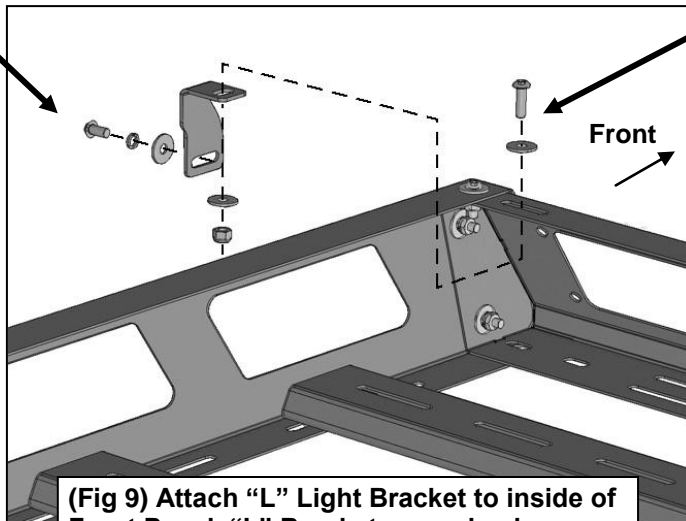


(Fig 8) Attach Air Deflector to Front Panel

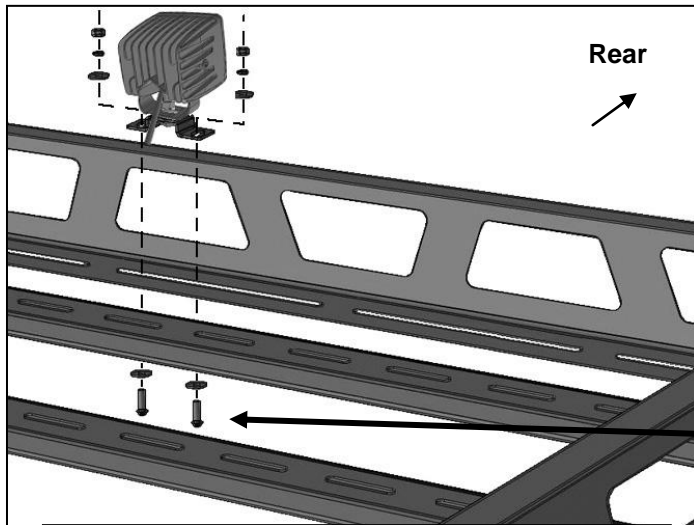
- Attach outer ends of Air Deflector
- (2) 6mm x 20mm Button Head Bolts
- (4) 6mm Flat Washers
- (2) 6mm Lock Washers
- (2) 6mm Hex Nuts

- 8mm x 16mm Button Head Bolt
- 8mm Lock Washer
- 8mm Flat Washer

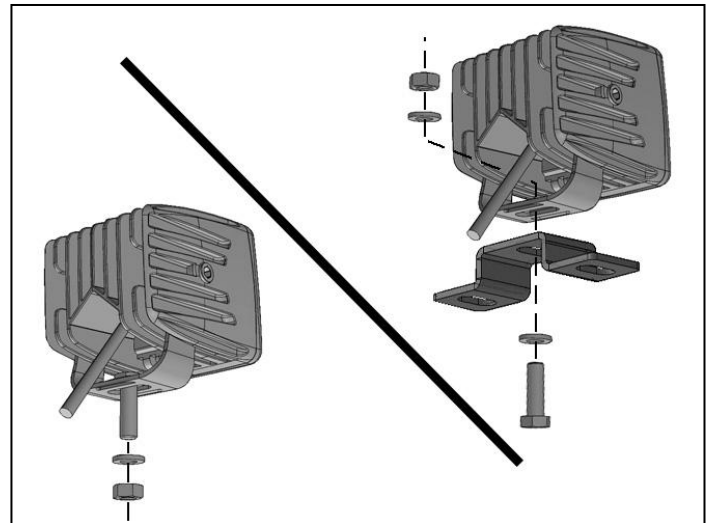
- 8mm x 25mm Button Head Bolt
- (2) 8mm Flat Washers
- 8mm Nylon Lock Nut



(Fig 9) Attach "L" Light Bracket to inside of Front Panel. "L" Brackets can also be installed on top of Front Panel if desired



(Fig 11) Attach light with Bracket to Rear Panel



(Fig 10) Attach Mounting Bracket to cube light (light available separately)

- (2) 8mm x 25mm Button Head Bolts
- (4) 8mm Flat Washers
- (2) 8mm Lock Washers
- (2) 8mm Hex Nuts

CAUTION: Do not exceed the weight rating for the roof rack (including basket) as specified by vehicle and/or rack manufacturer. Too much weight will greatly reduce the stability of the vehicle and increase the vehicle's tendency to overturn. The manufacturer makes no representation or warranty as to the amount of weight that the vehicle can safely carry. For guidance, we recommend that you consult the vehicle manufacturer. Secure all payloads properly for safe transportation.