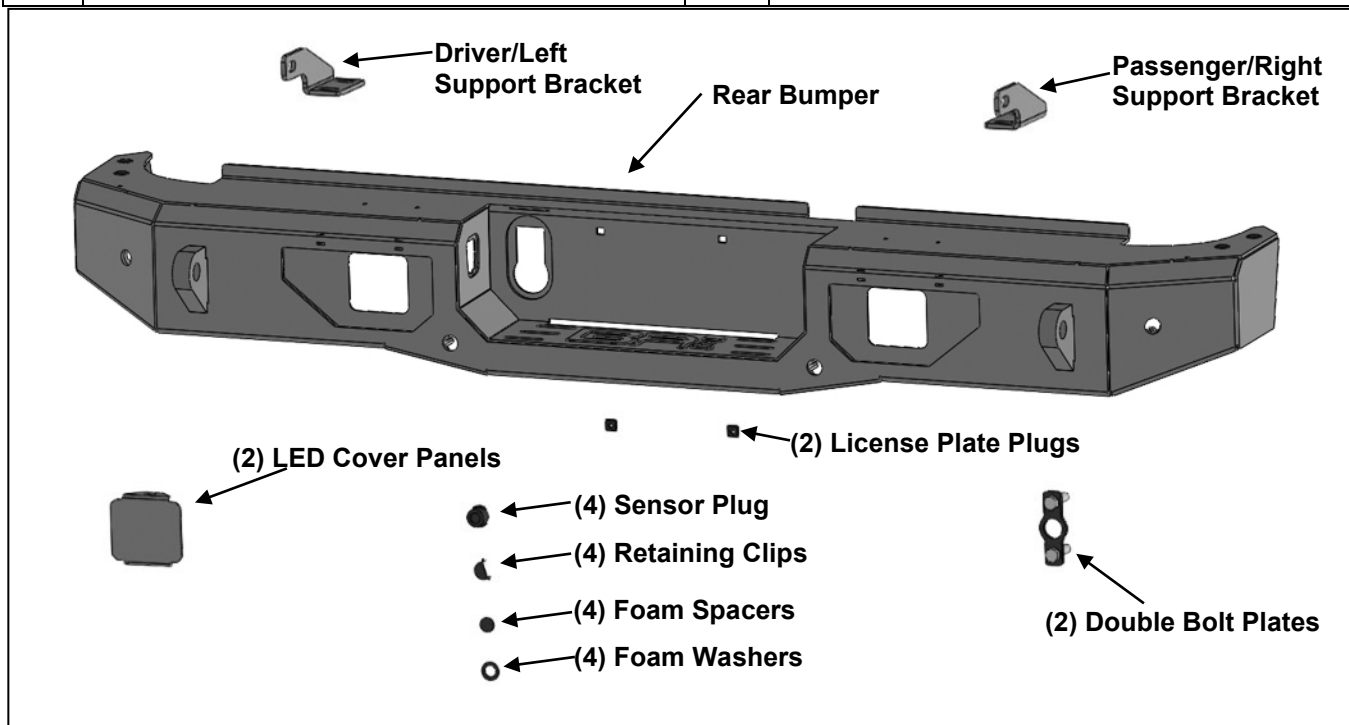


2019-2020 GLADIATOR JT REAR BUMPER PART #JT-2965

PARTS LIST:

1	BA Rear Bumper	2	12-1.75mm x 40mm Bolt Plates
1	Driver/Left Support Bracket	4	12-1.75mm x 40mm Hex Bolts
1	Passenger/Right Support Bracket	4	12mm x 37mm OD x 3mm Flat Washers
2	LED Cover Plates	10	12mm x 24mm OD x 2.5mm Flat Washers
2	License Plate Plugs	10	12mm Nylon Lock Nuts
4	Sensor Plugs	4	6-1.0mm x 20mm Button Head Combo Bolts
4	Sensor Retaining Clips	4	6mm Flanged Hex Nuts
8	20mm x 2mm Foam Spacers	8	4-1.0mm x 10mm Button Head Bolts
4	15.5mm x 25mm OD x 2mm Foam Washers	1	4mm Hex Wrench
1	Sensor Cover Kit	1	3mm Hex Wrench
2	12-1.75mm x 45mm Double Bolts Plates		



PROCEDURE:

REMOVE CONTENTS FROM BOX. VERIFY ALL PARTS ARE PRESENT. READ INSTRUCTIONS CAREFULLY BEFORE STARTING INSTALLATION. BUMPER IS HEAVY, ASSISTANCE IS RECOMMENDED TO AVOID POSSIBLE INJURY OR DAMAGE TO THE VEHICLE.

1. Start installation from under the rear bumper. Unplug the trailer plug, sensors and wiring harnesses leading to the rear bumper, (Figures 1 & 2).
2. Remove the (2) lower factory bolts attaching the bumper to the receiver hitch, (Figure 3).
3. Remove the rear license plate to reveal (2) factory bolts. Remove the (2) bolts, (Figure 4).
4. **Determine if vehicle is equipped with rear bed guards**
For vehicles not equipped with bed guards:
 - a. Skip to Step 5.

For vehicles equipped with bed guards

- a. Move to the Driver/Left side of the vehicle. Remove the lower factory bolt that attaches the bed guard to the receiver hitch, **(Figure 5)**.
 - b. Remove the (2) upper factory bolts that attaches the bed guard to the frame, **(Figure 6)**.
 - c. Remove the (2) factory bolts that attaches the bed guard to the rear bumper, **(Figure 7)**. **NOTE:** Keep the (2) factory nuts attaching the bumper to the hitch.
 - d. Repeat previous **Steps** to remove the Passenger/Right bed guard.
5. Place blocks or jack stands under the bumper to support it during mounting nut removal. Once the bumper has been safely supported, remove the factory hardware attaching the bumper brackets to the receiver hitch. **(Figure 7)**. **IMPORTANT:** Assistance is highly recommended to hold bumper in position during hardware removal.
6. Slide the bumper over the tow hooks and place on a smooth, clean surface, **(Figure 8)**.
7. Remove the tow hooks, (if equipped). Tow hooks cannot be reattached after Bumper is installed.
8. Depending on tow package, it may be necessary or easier to install sensors at this time, (if equipped)

Models without bumper sensors:

- a. Select (4) Rubber Plugs.
- b. From behind bumper, push plugs into sensor mounting holes, **(Figure 9)**.

Models with bumper mounted back-up sensors:

- a. Remove sensors and wiring harness from the back of the factory bumper.
 - b. Select (1) sensor. Insert (1) 15.5mm Foam Washer, (1) factory sensor, (1) Foam Spacer and (1) Retaining Clip into the mounting sleeve in the back of the bumper, **(Figure 10)**.
 - c. **(OPTIONAL)** Secure sensor to the sleeve with (2) 4mm x 10mm Button Head Screws.
IMPORTANT: Sensors fit snug in sleeves. The 4mm Bolts are used to apply slight pressure to lock the sensors in place. Tighten both screws evenly until they touch the sensor body only. Do not overtighten screws or damage to sensors will result.
 - d. Repeat previous **Steps** to install the remaining (3) sensors.
9. **Determine if Lights will be attached, (lights not included)**

For Light installation (light not included)

- a. Select (1) light. Attach light to the Driver/Left location on the back of the bumper, **(Figure 11)**.
- b. Follow manufacturer's instructions to properly wire the light to the vehicle electrical system.
- c. Repeat previous **Steps** to attach (1) light to the Passenger/Right side.

For Light Cover Panel installation

- a. Select (1) Light Cover Panel.
 - b. Attach the Panel to the Driver/Left Side with (2) 6mm button Head Combo Bolts and (2) 6mm Flanged Hex Nuts, **(Figure 11)**.
 - c. Repeat previous **Steps** to attach (1) light to the Passenger/Right side.
10. Select the Driver/Left Support Bracket. Attach the Bracket to the top of the receiver hitch with (2) 12mm Hex Bolts, (4) 12mm Flat Washers, (2) 12mm Lock Washers and (2) 12mm Hex Nuts, **(Figures 12 & 13)**. Do not tighten hardware. Repeat this **Step** to attach the Passenger/Right Support Bracket.
11. Select (1) 12mm Double Bolt Plate. Insert the Bolt Plate into the Driver/Left side of the Bumper. Thread (2) 12mm Plastic Retainers onto the Bolt Plate to hold it in place, **(Figure 14)**. Repeat this **Step** to insert (1) 12mm Bolt Plate into the Passenger/Right side of the Bumper.
12. With assistance, hold the Bumper up to the hitch and Support Brackets. Temporarily support the weight of the Bumper. **WARNING:** To avoid possible injury or damage to the vehicle, do not proceed until the bumper is fully and safely supported.
13. Attach the Bumper to the hitch with (4) 12mm Flat Washers and (4) 12mm nylon Lock Nuts, **(Figure 15)**. Do not tighten hardware.
14. Attach the Bumper to the Support Brackets with (2) 12mm Bolt Plates, (4) 12mm Flat Washers and (2) 12mm Nylon Lock Nuts, **(Figure 16)**. Do not tighten hardware.
15. Slowly open tailgate and check for clearance. Level and adjust the Bumper and tighten all hardware.
16. Install the license plate lights and trailer plug, **(Figure 17)**.

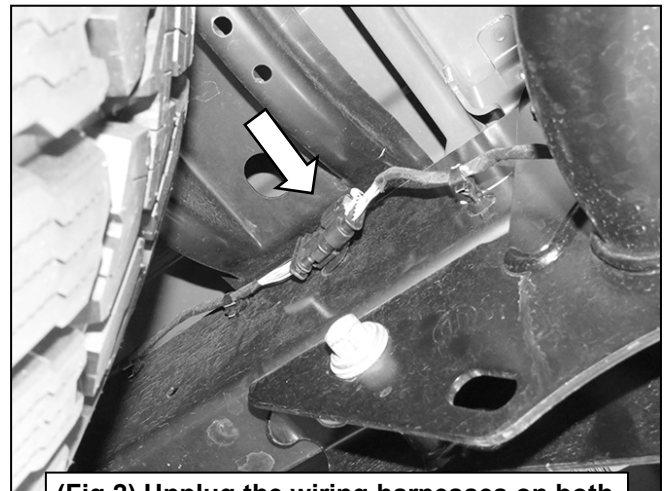
17. Insert the included (2) License Plate Plugs into the rear of the bumper and attach the license plate to the (2) Plugs. **(Figure 17)**.
18. Reattach to wiring harnesses.
19. Do periodic inspections to the installation to make sure that all hardware is secure and tight.

To protect your investment, Do not use any type of polish or wax that may contain abrasives that could damage the finish. Mild soap may be used to clean the Bumper assembly.

Driver/Left Side Installation Pictured



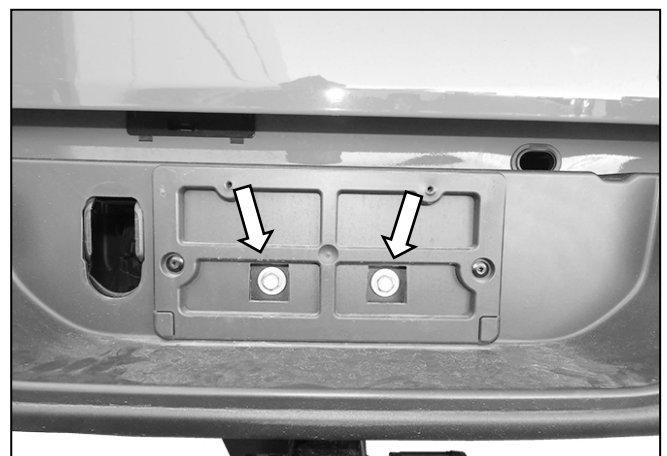
(Fig 1) Unplug the trailer plug, License plate lights and sensors



(Fig 2) Unplug the wiring harnesses on both sides of the frame that leads to the bumper

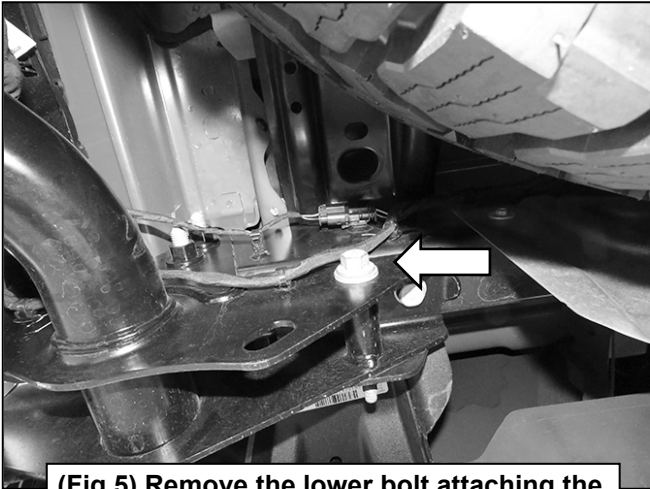


(Fig 3) Remove the (2) bolts under the receiver hitch



(Fig 4) Remove the (2) bolts under the license plate

Driver/Left Side Installation Pictured

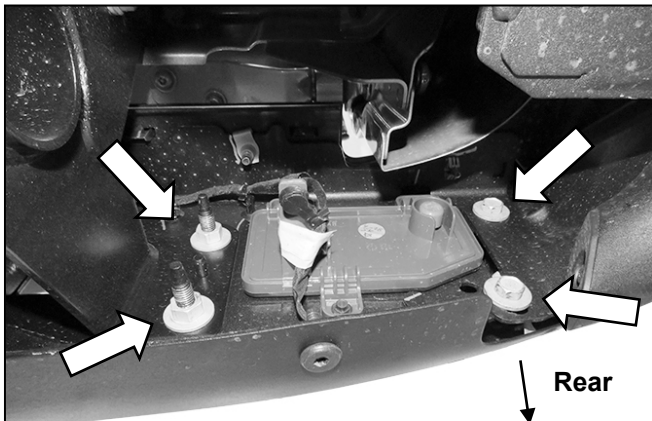


(Fig 5) Remove the lower bolt attaching the rock rail (if equipped) to the receiver hitch

WARNING! Do not remove bumper bolts unless the bumper is properly supported on blocks or stands or the bumper may fall.



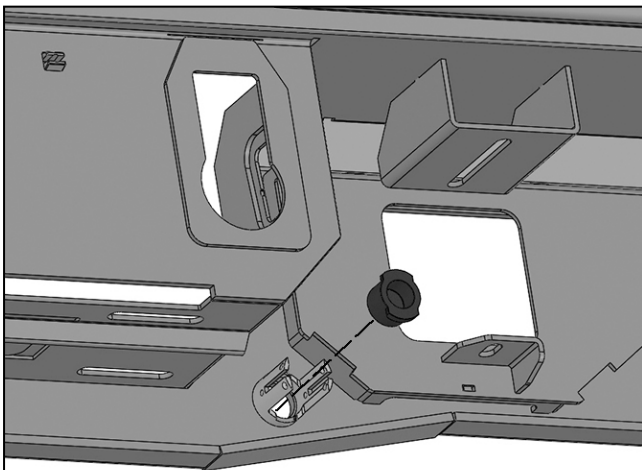
(Fig 6) Remove the (2) upper bolts attaching the rock rail (if equipped) to the receiver hitch



(Fig 7) Remove the bolts to rock rail (if equipped). Remove the factory nuts to remove the bumper

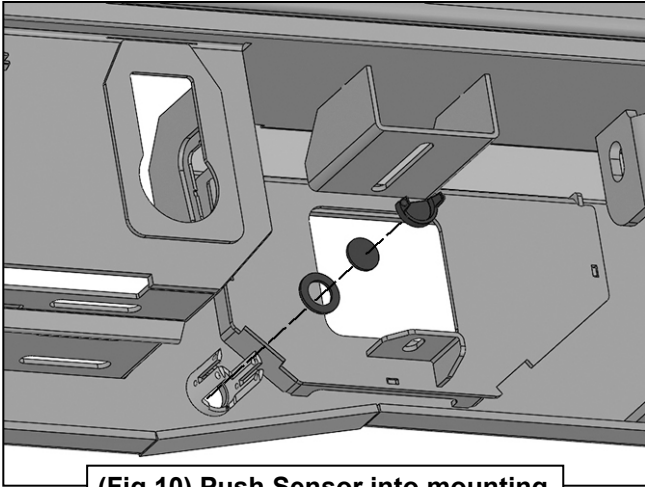


(Fig 8) Factory bumper removed

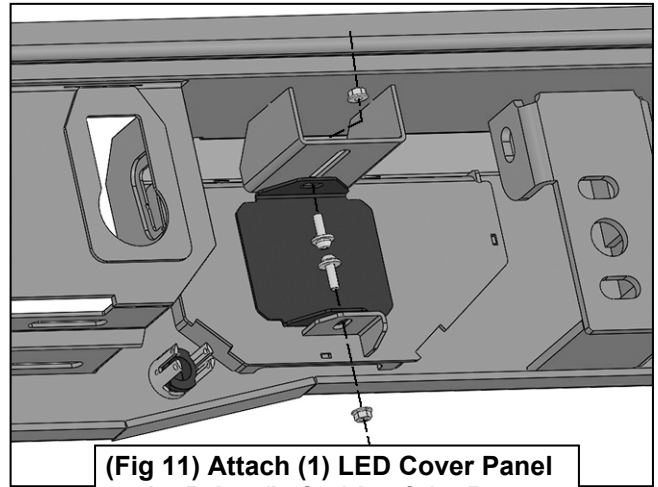


(Fig 9) Push Sensor Plug into mounting sleeve (Optional, use 4mm Screws to lock plug in place)

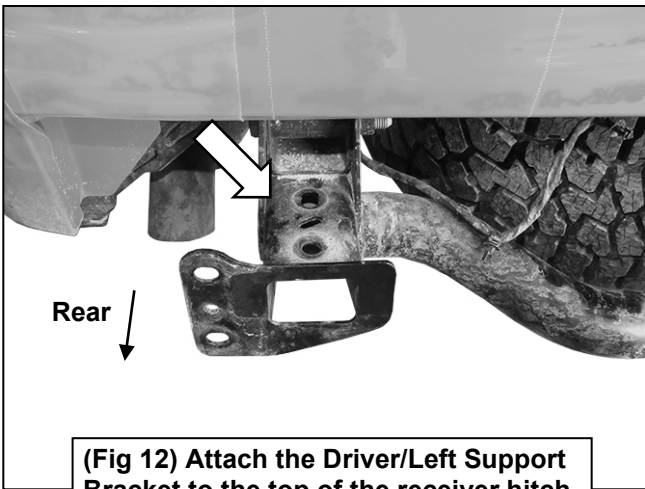
Driver/Left Side Installation Pictured



(Fig 10) Push Sensor into mounting sleeve (Optional, use 4mm Screws to lock sensor in place)

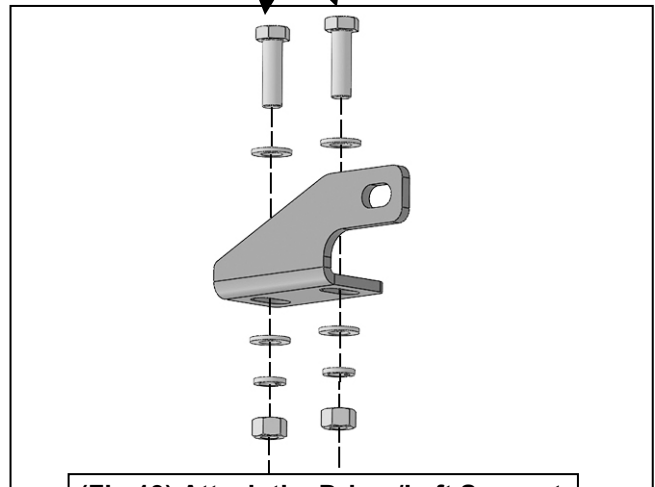


(Fig 11) Attach (1) LED Cover Panel to the Driver/Left side of the Bumper



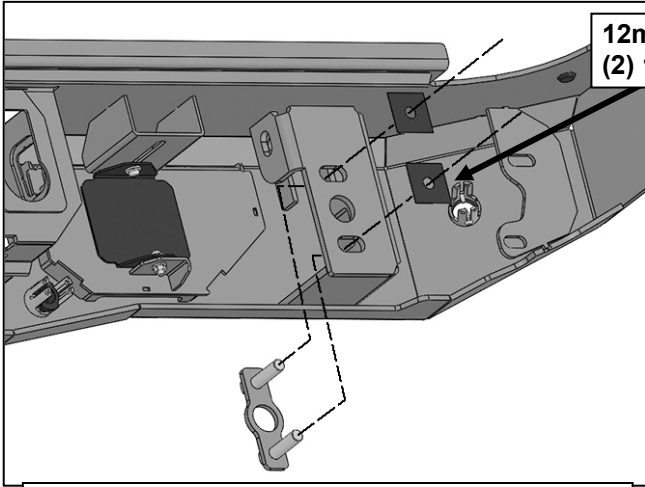
(Fig 12) Attach the Driver/Left Support Bracket to the top of the receiver hitch, (behind the bumper mounting plate)

- (2) 12mm Hex Bolts
- (4) 12mm Flat Washers
- (2) 12mm Lock Washers
- (2) 12mm Hex Nuts



(Fig 13) Attach the Driver/Left Support Bracket to the top of the receiver hitch

Driver/Left Side Installation Pictured

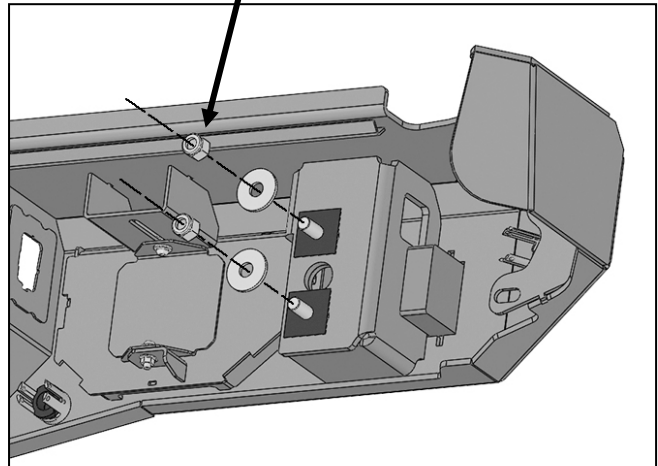


12mm Double Bolt Plate
(2) 12mm Plastic Retainers

(Fig 14) Insert (1) 12mm Double Bolt Plate into the back of the bumper. Thread (2) Plastic Retainers onto the bolt plate to hold in place

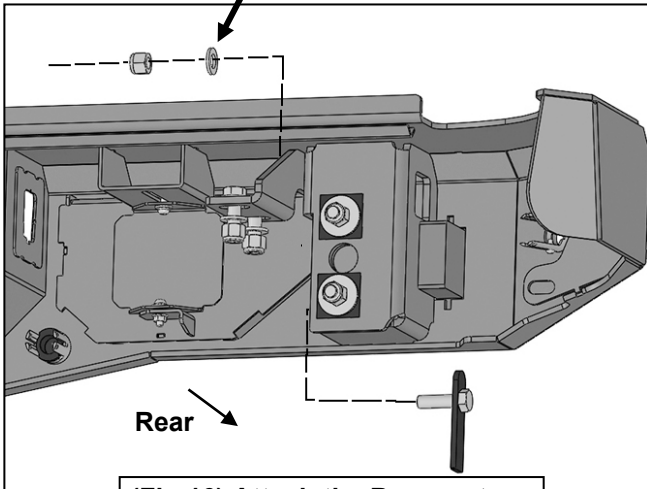
WARNING! Do not crawl under bumper unless the bumper is properly supported on blocks or stands or the bumper may fall.

(2) 12mm Flat Washers
(2) 12mm Nylon Lock Nuts

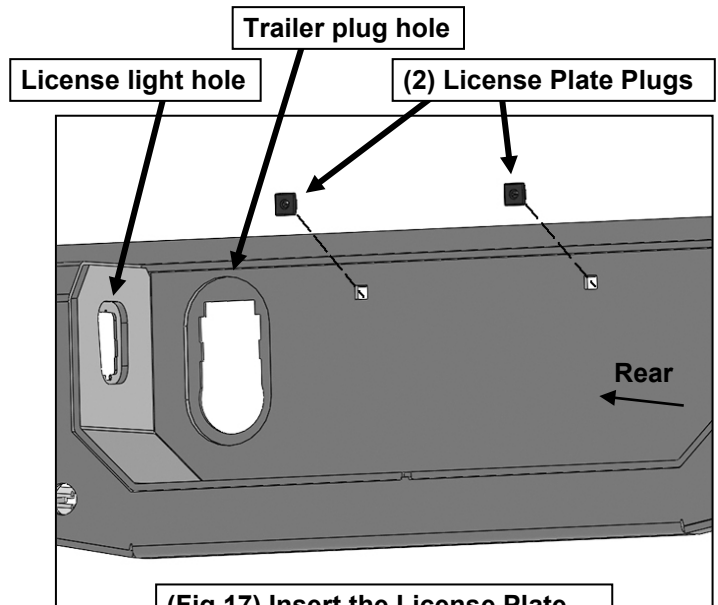


(Fig 15) Attach the Bumper to the receiver hitch

12mm Bolt Plate
12mm Flat Washer
12mm Nylon Lock Nut



(Fig 16) Attach the Bumper to the Driver/Left Support Bracket



(Fig 17) Insert the License Plate Plugs into the front of the Bumper