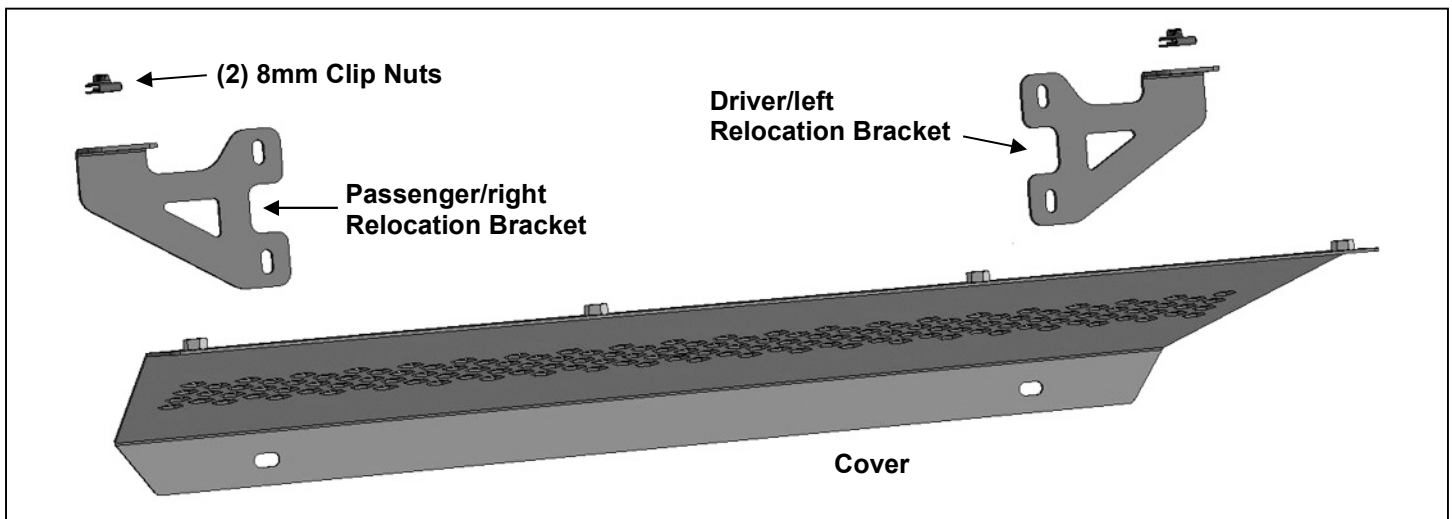


2019-2020 CHEVY SILVERADO 1500 INTERCOOLER SHROUD FOR AMBUSH BUMPER PART #GM-5966

PARTS LIST:

1	Mesh Cover	6	8mm x 24mm x 2mm Flat Washer
1	Driver/left Relocation Bracket	6	8mm Lock Washers
1	Passenger/right Relocation Bracket	4	6-1.1mm x 25mm Hex Bolt
2	8mm Clip Nuts	8	6mm x 16mm x 1.6mm Flat Washers
4	8-1.25mm x 25mm Button Head Bolts	4	6mm Nylon Lock Nuts
2	8-1.25mm x 25mm Hex Bolt	1	5mm Wrench



PROCEDURE:

REMOVE CONTENTS FROM BOX. VERIFY ALL PARTS ARE PRESENT. READ INSTRUCTIONS CAREFULLY BEFORE STARTING INSTALLATION.

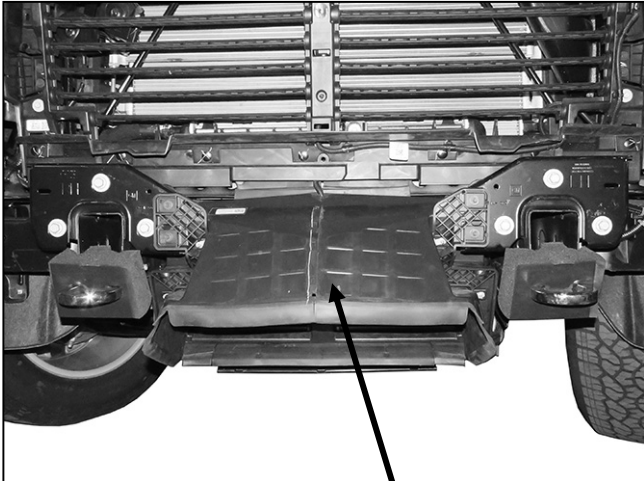
1. Follow Bumper installation instructions to remove the factory bumper.
2. Locate and remove the clips attaching the top of the plastic shroud to the crossmember, **(Figure 1)**.
NOTE: Clips are partially hidden behind plastic cover.
3. Remove hardware attaching both sides of shutter and shroud assembly to bumper brackets.
4. Disconnect harness leading to shutter assembly.
5. Remove shutter mechanism from outer housing and shroud, **(Figure 2)**.
6. Locate the mounting holes in the bottom and front end of the frame, **(Figure 3)**. Slide (1) 8mm Clip Nut into the triangle shaped hole. Line up the Nut on the Clip with the smaller round hole.
7. Select the driver/left Relocation Bracket. Attach the Bracket to the Clip Nut with (1) 8mm x 25mm Hex Bolt, (1) 8mm Lock Washer and (1) 8mm Flat Washer, **(Figure 4)**. Do not fully tighten hardware at this time. Repeat this Step to attach the passenger/right Relocation Bracket to the bottom of the frame.
8. Attach the shutter mechanism to the back of the Relocation Brackets with (2) 6mm x 25mm Hex Bolts, (4) 6mm Flat Washers and (2) 6mm Nylon Lock Nuts, **(Figures 5 & 6)**. Snug but do not fully tighten hardware at this time. Plug wire harness into shutter mechanism.
9. Once Bumper installation is complete, select the lower bumper Cover. Slide the front of the Cover up to the back of the Bumper. Attach the Cover to the bottom of the Bumper with the included (4) 8mm Button Head Bolts, (4) 8mm Lock Washers and (4) 8mm Flat Washers, **(Figure 7)**. Attach the bottom of the Cover to the front of the Relocation Brackets with (2) 6mm x 25mm Hex Bolts, (4) 6mm Flat Washers and (2) 6mm Nylon Lock Nuts, **(Figure 7)**.

10. Adjust the Relocation Brackets and fully tighten all hardware.

11. Do periodic inspections to the installation to make sure that all hardware is secure and tight.

To protect your investment, Do not use any type of polish or wax that may contain abrasives that could damage the finish. Mild soap may be used to clean the Relocation Kit.

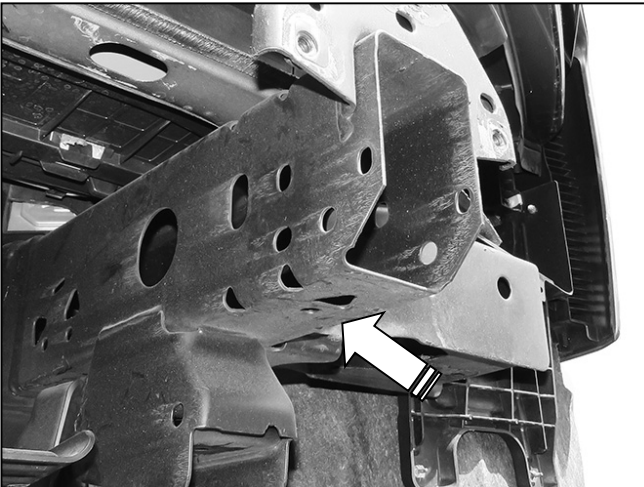
Driver/left Side Installation Pictured



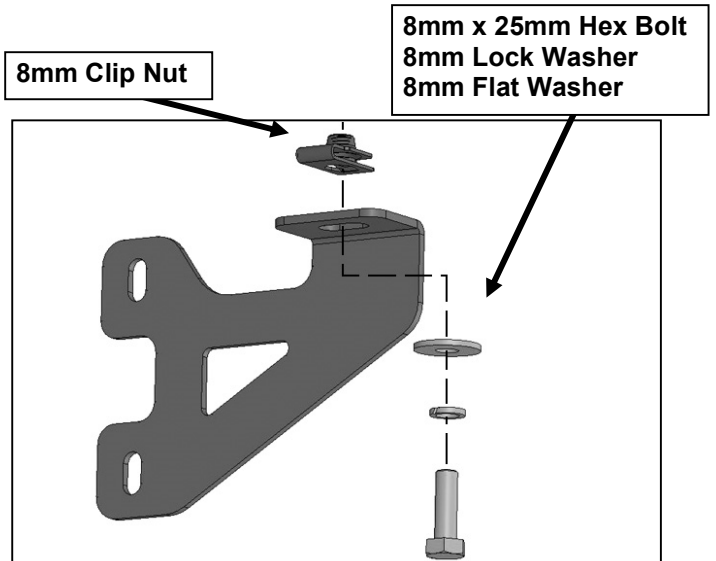
(Fig 1) Remove clips at top of shroud and screws along sides to remove shutter assembly



(Fig 2) Unplug shutter mechanism and remove from outer shroud and housing



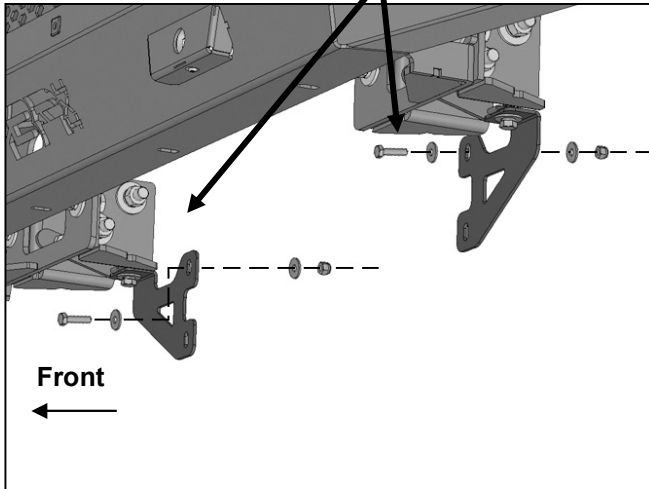
(Fig 3) Slide 8mm Clip Nut into triangle shaped hole in bottom front end of frame (arrow). Line up nut on clip with hole next to triangle (see Fig 6)



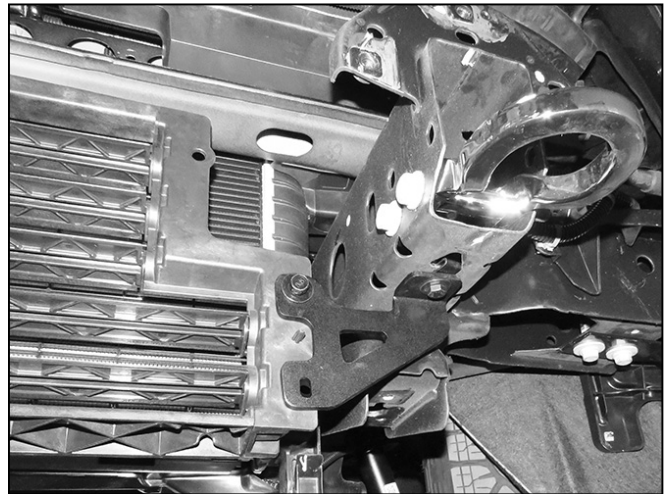
(Fig 4) Slide 8mm Clip Nut into triangle shaped hole in bottom front end of frame. Attach driver/left Relocation Bracket to Clip Nut

Driver/left Side Installation Pictured

- (2) 6mm x 25mm Hex Bolts
- (4) 6mm Flat Washers
- (2) 6mm Nylon Lock Nuts

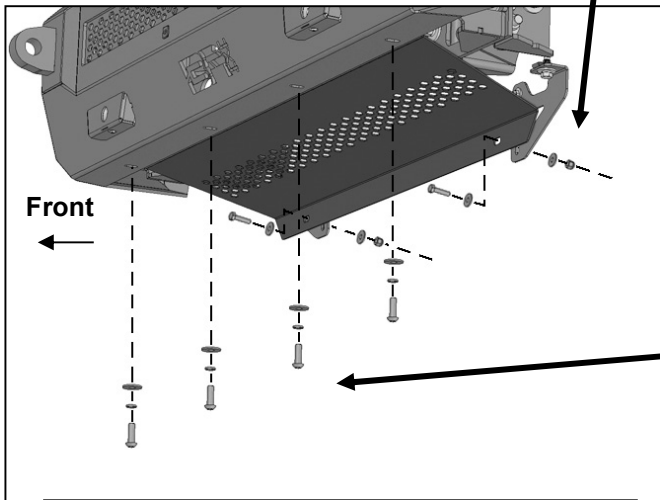


(Fig 5) Attach shutter mechanism to top holes in back of Relocation Brackets



(Fig 6) Shutter mechanism attached to back of top holes in driver/left Relocation Bracket. NOTE: Bumper not pictured for instruction purposes, tow hooks pictured must be removed

- (2) 6mm x 25mm Hex Bolts
- (4) 6mm Flat Washers
- (2) 6mm Nylon Lock Nuts



(Fig 7) Once Bumper is fully installed and adjusted, attach Cover to bottom of Bumper. Also attach bottom of Cover to bottom of Relocation Brackets and shutter mechanism

- (4) 8mm x 25mm Button Head Bolts
- (4) 8mm Lock Washers
- (4) 8mm Flat Washers