



INSTALLATION INSTRUCTIONS FOR Ford Super Duty **STREET FLARE** Pair Part # 20078

IMPORTANT:
READ INSTRUCTIONS THOROUGHLY BEFORE BEGINNING INSTALLATION

TOOLS REQUIRED FOR INSTALLATION:

- Electric Drill
- #2 Phillips Driver Bit
- 3/16" Drill Bit
- 7/32" Socket
- Socket Wrench
- Tape Measure

FLARE INSTALLATION PROCEDURES

Step 1: Verifying fit

- (A) Verify Fit by holding Bushwacker flares against the vehicle body. Small fit adjustments can be made by trimming excess plastic.

Step 2: Painting.

Note: Painting (when desired) must be done after fit verification, but prior to full installation.

- (A) Clean outer surface with a good grade degreaser. **DO NOT USE LACQUER THINNER OR ENAMEL REDUCER AS A DEGREASER.** Wipe outer surface thoroughly with a tack rag prior to painting.
- (B) Paint Flares using a high quality lacquer, enamel, or polyurethane automotive paint. Sanding or application of a primer coat is optional.

Step 3: Edge Trim Installation

- (A) The roll of edge trim that is included with each kit needs to be cut to the following lengths: two 82" pieces.
- (B) Peel two to three inches of red vinyl backing away from the edge trim tape. Applying the adhesive side of the edge trim to the inner side of the flare, affix the edge trim to the top edge of the flare (the portion that comes in contact with the side of the vehicle).
- (C) Press edge trim into place along the top edge of the flare in one-foot increments, pulling red vinyl backing free as you continue to work your way around the top edge of the flare.

See Illustration #1.

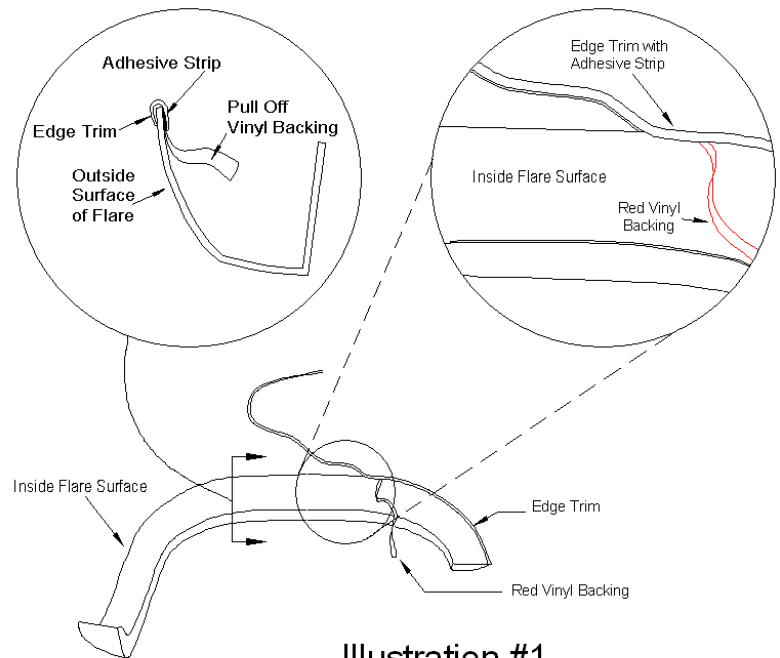


Illustration #1

Step 4: Flare Installation

- (A) Pre-drill all flares with a 3/16" drill bit using the indents formed into the flare as a guide.
- (B) Remove the three factory screws from front wheel well using the 7/32" socket.
- (C) Holding front flare in place on fender, secure with factory screws through holes drilled in flare.
- (D) Applying moderate pressure to the outside surface of the rear flare, fasten with five kit supplied drill tip screws using the holes in the flare as a guide. See **FIGURE 2** and **FIGURE 3**.

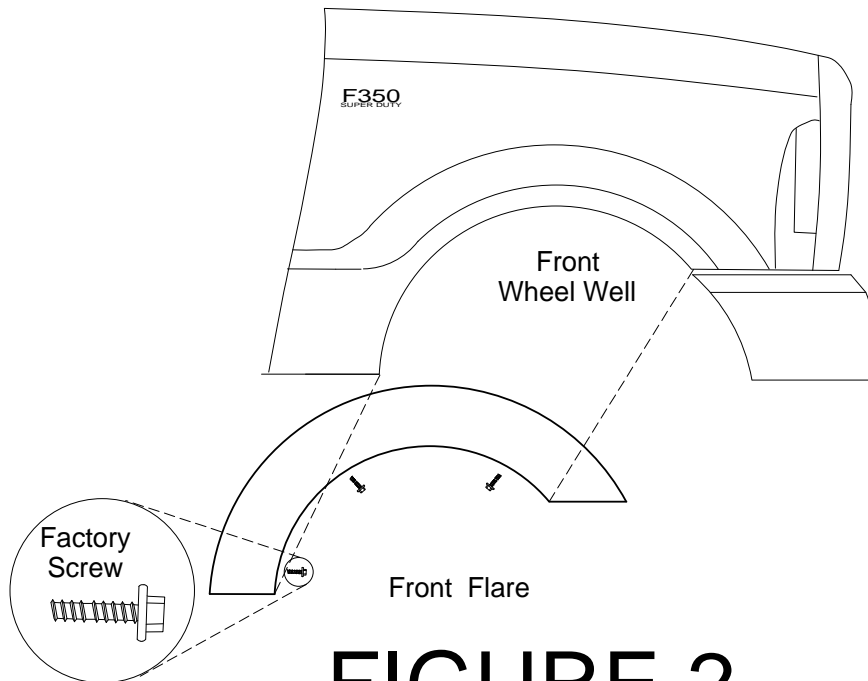


FIGURE 2

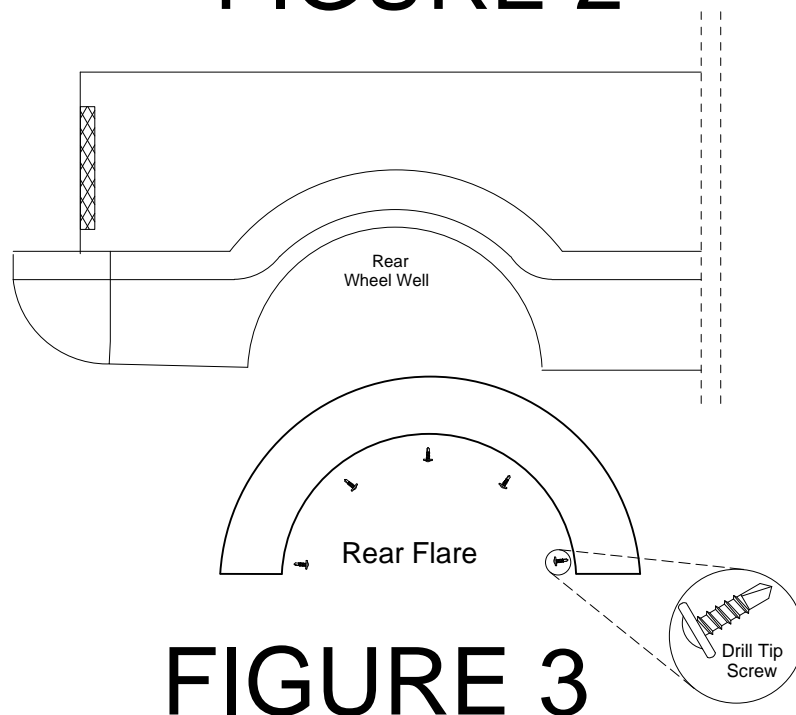


FIGURE 3