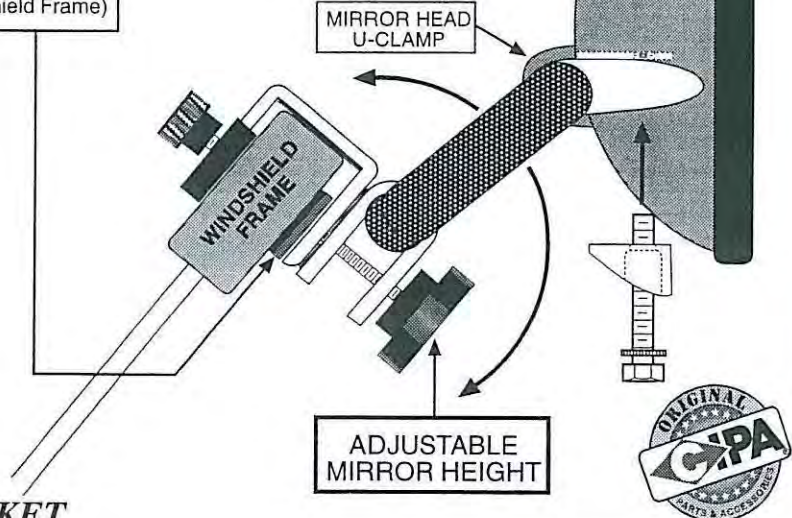


FIG. 1

M1D/M1E B874/875  
FIG. 2



**MOUNTING INSTRUCTIONS FOR CIPA's COMP MIRROR WITH UNIVERSAL BRACKET**

Thank you for your purchase of the CIPA WAVE™ with Universal bracket. The instructions below should help you get the most benefit from your mirror. **SAFE BOATING!**

**DESCRIPTION:** The B875 is a universal mounting bracket for the 7"x17" CIPA WAVE™ mirror. It is designed to mount to rectangular windshield frames and adapt the mirror to curved, or V-Shaped windshields.

The B874 is a universal mounting bracket for the CIPA WAVE™ mirror that is designed to mount to Aldon (curved top) windshield frames. An example of a boat with this windshield frame is the MasterCraft Pro Star 205.

**MOUNTING YOUR MIRROR TO THE BRACKET**

1. Remove the mirror head plastic U-clamp from the CIPA WAVE™ mirror.
2. Pop the plastic U-clamp on the U-shaped bracket opposite of the adjustable height knob. If there is already a U-clamp on this portion of the U-shaped bracket use it instead.
3. Reinstall the U-clamp into the mirror head. Be sure the star washer and wedge piece are in place as shown in Fig. 2.

**MOUNTING YOUR MIRROR AND BRACKET ON THE BOAT**

Placement of the mirror is a matter of personal preference. Always avoid mounting any mirror in a place or position that will block forward vision.

With The enclosed bracket, your CIPA WAVE™ mirror is designed to universally mount above or below the windshield frame, giving you maximum rear view with a few simple adjustments. Mounting the mirror so that the mirror head is above the windshield frame (and driver's head) is preferable because the mirror is not obstructed by passengers, or the drivers body and does not block forward vision. This mounting position will give the driver maximum benefit of the WAVE mirror.

Regardless of how you mount your new CIPA mirror, be sure to affix the anti-scratch plate to your windshield frame to protect it. Refer to fig. 1 for placement on your boat's windshield frame.

Also included in the mirror box is extra strips of anti-scratch tape. This single-sided adhesive is included for you to apply to the inside of the clamping bracket in areas you believe may scratch your windshield frame.

1. Loosen the (2) clamping knobs and slip the clamping bracket over the windshield.

2. Firmly tighten the clamping bracket knobs to ensure there is no movement of the bracket on the windshield frame.
3. Loosen the adjustable height knob and swing the mirror up and into the desired position, then firmly tighten.

**USING YOUR NEW MIRROR**

Your new mirror is designed to give you height adjustability. When you are ready to trailer your boat, simply loosen the knob and swing the mirror down below the windshield so the boat cover will fit.

•For maximum rear view safety add a CIPA WINGII™ Sidemount mirror.

**WARNING**

**Objects in the mirrors are closer than they appear. Practice getting used to this difference so you can better judge distances in the mirror.**