



DOOR MOUNT TOWING MIRROR ASSEMBLY / INSTALLATION INSTRUCTIONS CIPA PART #11650

Have A Smart Phone?

Scan QR Code

For more information on the
Door Mount Towing Mirror
or visit

www.cipausa.com



ASSEMBLY

Mount Mirror Head (1) to end of Extension Arm (2), using Hex Nut (4).

NOTE: Be sure to use provided lock washer between Extension Arm (2) and Hex Nut (4).

INSTALLATION

NOTE: Before installation, be sure to fully extend the Adjustable Support Brace (5) and tighten Support Brace Adjustment Screw (6). Further adjustment will follow.

Open the vehicle door and completely lower the window.

Place the Main Arm Assembly on the door sill with the Upper Door Hooks (8) between the glass and the outer window seal in a level position as far forward on the sill as possible.

Slide the Padded Buckle Assembly (7) down the Nylon Strap (10) until it is located just above or below the existing door molding, if any are present.

Place the Lower Door Hook (9) under the bottom of the door, and pull the Nylon Strap (10) up and away from the hook to provide tension and hold the hook in place.

Turn the Ratchet Strap Adjustment Knob (11) clockwise to tighten the nylon strap against the door.

NOTE: HAND TIGHTEN ONLY - DO NOT USE TOOLS

Loosen Support Brace Adjustment Screw (6) and lower Main Arm Assembly until level with vehicle's existing mirror and the door, and retighten.

REMOVAL

Hold down Ratchet Strap Release Lever (12) located next to Ratchet Strap Adjustment Knob (11) to release tension on Nylon Strap (10) and Lower Door Hook (9). Simply lift Mirror Assembly up and off of door for quick and easy removal.

ADJUSTMENT

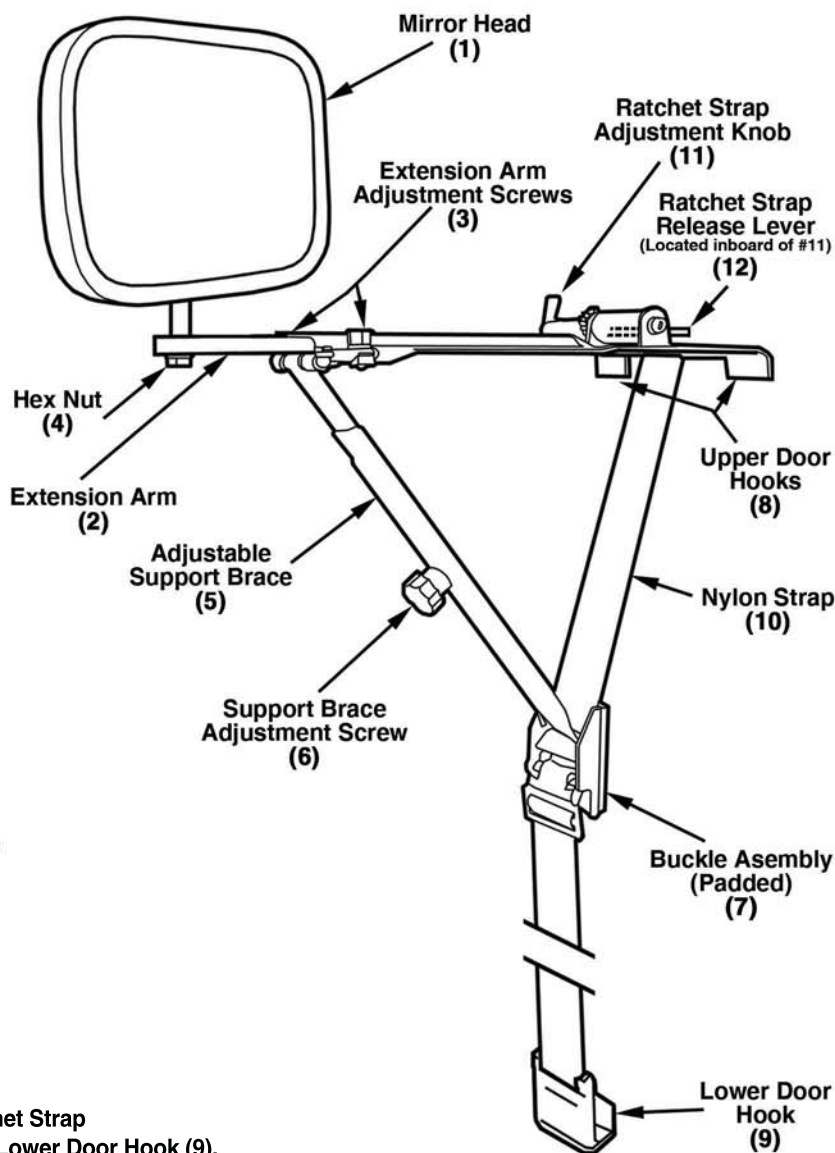
To adjust the Mirror Head (1), loosen the Hex Nut (4) on the Mirror Head until it can be pivoted to the desired position, then retighten.

NOTE: HAND TIGHTEN ONLY - DO NOT USE TOOLS

Loosen the Extension Arm Adjustment Screws (3) and extend the mirror according to your individual towing needs. Care should be taken not to over extend the Extension Arm (2).

Slowly raise the window until glass clears Upper Door Hooks (8).

Repeat Ratchet Strap Adjustment after a few minutes due to any incidental stretching of the Nylon Straps (10). During use, periodically check and retighten Nylon Strap (10) if necessary, or in the event that the nylon gets wet.



And, Because Sometimes Accidents DO Happen

Replacement Mirror Heads

#95500 - Chrome

#95400 - Black