



## IMPORTANT WARRANTY & INSTALLATION INSTRUCTIONS ATTACHED

*Please Forward All Attached Information to Consumer  
Warranty Not Valid Unless Returned to CORSA Exhaust*

We ask that you take a few moments to complete our warranty registration form:

TO ACTIVATE YOUR LIMITED LIFETIME WARRANTY GO TO:

**[CORSAPERFORMANCE.COM/WARRANTY](http://CORSAPERFORMANCE.COM/WARRANTY)**



For Full-Color Installation Instructions, Please Visit:

**[CORSAPERFORMANCE.COM](http://CORSAPERFORMANCE.COM) and Search by Part Number**

Please be sure to review the enclosed instructions prior to beginning the installation process. If you have any questions about the enclosed parts, instructions or encounter a problem during Installation: **CALL CORSA PERFORMANCE TECHNICAL ASSISTANCE AT 800.486.0999**

**Please take time to read and understand these installation instructions.**

CORSA recommends that installation of this system be performed by a qualified service center or professional muffler installer who has the necessary equipment, tools and experienced personnel. However, if you decide to perform this install, the use of a hoist and an additional person will be required.

**CAUTION:** Never work on a hot exhaust system. Allow time for the vehicle to cool. Always wear eye protection when working under a vehicle.

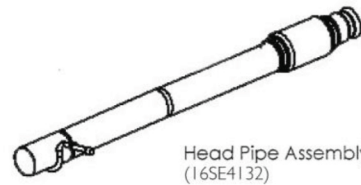
**Please confirm that all parts are present before beginning the factory exhaust system removal and CORSA exhaust system installation.**

## Recommended Tools:

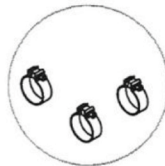
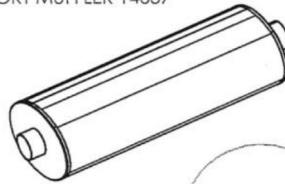
- Tape measure
- Black marking pen
- 13mm, 15mm socket and ratchet
- Chain style pipe cutter
- Grommet pullers
- Soapy water
- Safety glasses
- Torque Wrench

**SPORT PN 14904 / TOURING PN 14905**

143.5" Wheel Base  
 Sport PN  
 Touring PN



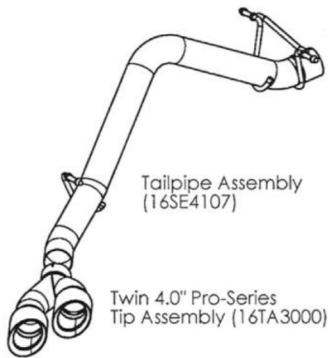
TOURING MUFFLER 14671  
 SPORT MUFFLER 14637



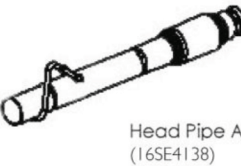
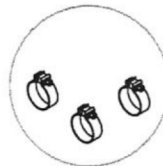
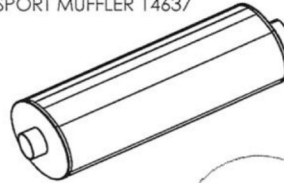
Hardware Kit  
(20FF7026)

Anti-Seize  
 Lubricant

133.5" Wheel Base  
 Sport PN 14900  
 Touring PN 14901

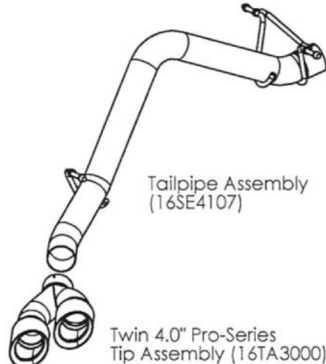


TOURING MUFFLER 14671  
 SPORT MUFFLER 14637



Head Pipe Assembly  
(16SE4138)

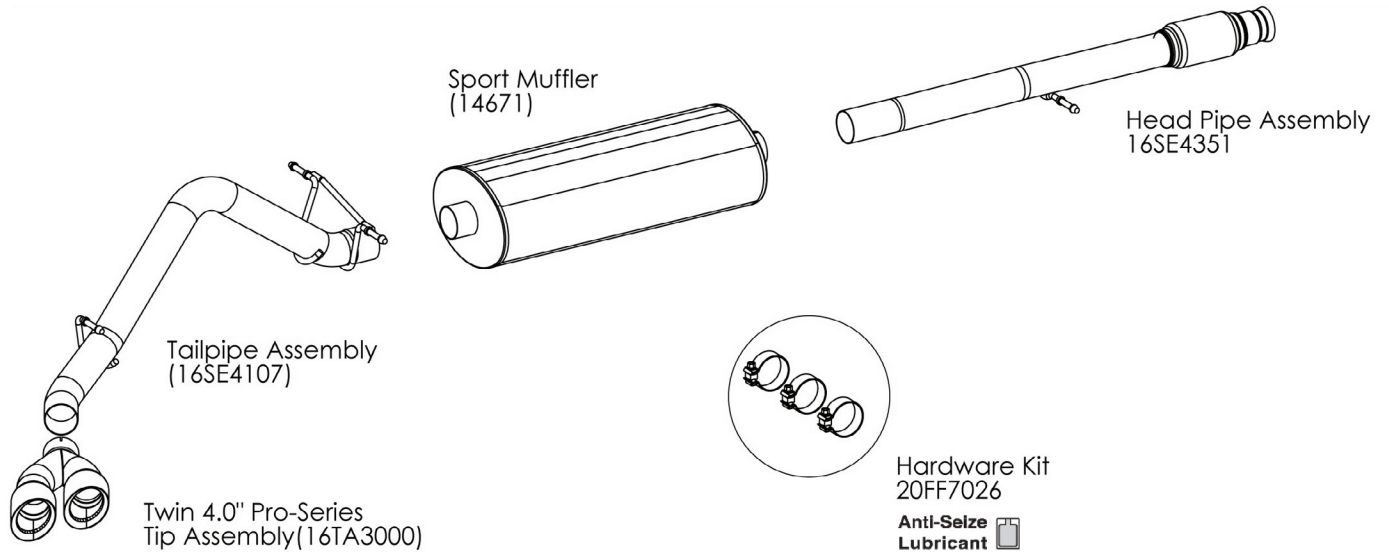
Tailpipe Assembly  
(16SE4107)



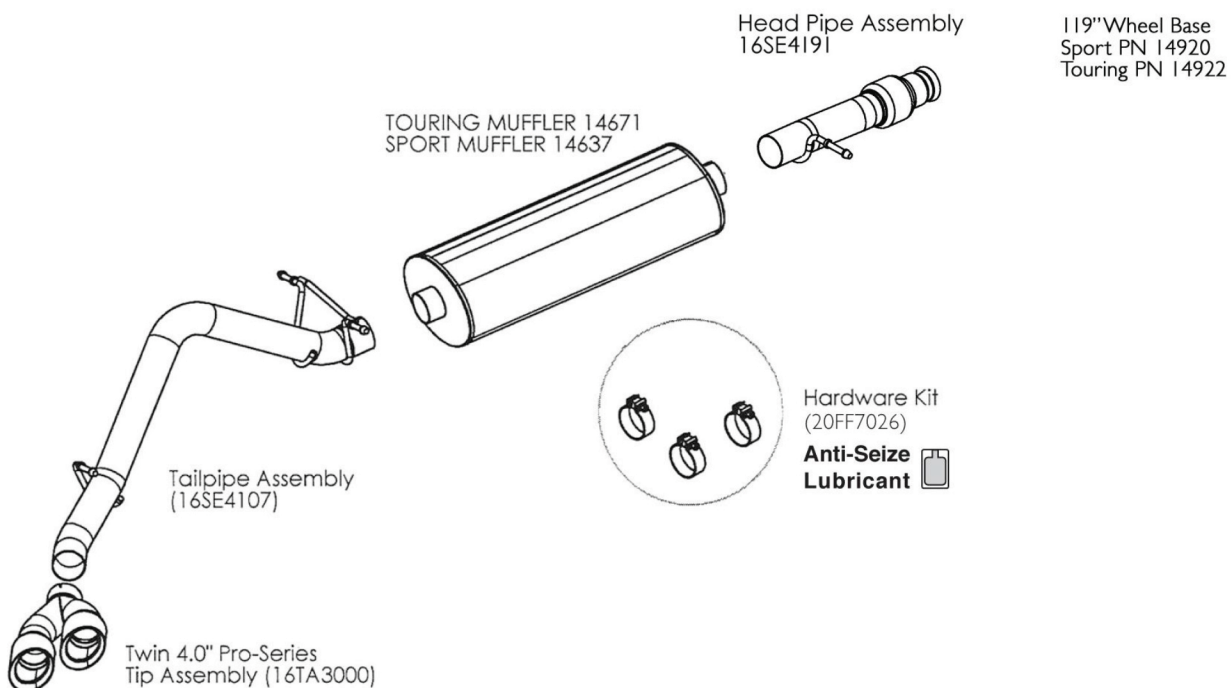
Twin 4.0" Pro-Series  
 Tip Assembly (16TA3000)

**SPORT PN 14900 / TOURING PN 14901**

**SPORT PN 14925**



**SPORT PN 14920 / TOURING PN 14922**



## Removal of Stock System:

- 1) Scribe a line 12" from the front face of the stock muffler. (See Fig. A )
- 2) Place a chain style cutter around the exhaust pipe at the scribe line location and cut the exhaust pipe. (See Fig. B )
- 3) Remove the grommets from the tailpipe hangers at the muffler exit, the spare tire and finally ahead of the muffler, using grommet pullers or similar device. (See Fig's C, D & E)  
**Note: Using a soapy solution on the grommet hole will make the job easier.**
- 4) Use a 13mm socket to loosen spherical clamp and remove factory headpipe. (See Fig. F)
- 5) Remove the muffler and rear tailpipe section from the vehicle by lifting the tailpipe over the rear axle and forwards toward the front of the vehicle. (See Fig's G & H) This completes the removal of the stock system.



FIG. A



FIG. B



FIG. C



FIG. D



FIG. E



FIG. F



FIG. G

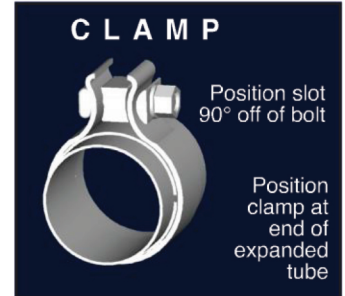


FIG. H

**For Technical Assistance:  
Call 800.486.0999.**

## Installation of CORSA Exhaust System:

**NOTE:** Apply the anti-seize lubricant (supplied) to the threads **ONLY** of all the clamps and flange bolts. Failure to follow this procedure can cause nuts to seize on clamps and potentially destroy threads. After applying anti-seize lubricant, be sure to thoroughly clean hands as lubricant will tarnish stainless steel. All clamps should be tightened using a properly calibrated Torque Wrench. Using an air impact gun will damage the clamp and reduce its ability to effectively seal the joint. It may also cause the joint to separate thereby causing damage to your exhaust system and your vehicle.



- 1) Locate the CORSA Head Pipe assembly and slide the spherical joint onto the factory pipe. Reuse the factory spherical clamp and loosely snug the spherical joint. Insert the hanger into the factory grommet. (See Fig. H)

**Note:** Using a soapy solution on the grommet hole will make the job easier.

- 2) Slide a supplied 3" TORCA clamp over the inlet of the CORSA muffler. Make sure the weep hole is facing down then slide the muffler onto the Head Pipe and pre-tighten the clamp. (See Fig's I, J & K)

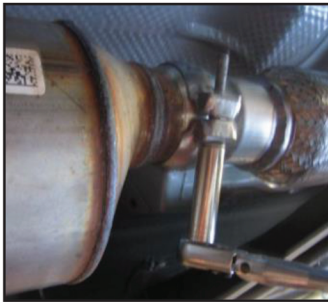


FIG. H



FIG. I



FIG. J



FIG. K

CONTINUE TO PAGE 5 >

- 3) Slide a supplied 3" TORCA clamp over the inlet of the CORSA Tailpipe. From the rear of the vehicle slide the pipe over the axle while holding the rear differential vent hose out of the way. Insert the pipe over the muffler exit and place the hangers into the factory grommets. Pre-tighten the clamp. **(See Fig's L, M, N & O)**  
**Note: Using a soapy solution on the grommet hole will make the job easier.**
- 4) Slide a 3" TORCA clamp over the tip assembly and place the tip onto the end of the tailpipe. Pre-tighten the clamp at this time. **(See Fig's P & Q)**
- 5) Adjust all CORSA components to attain clearance to surrounding parts. Starting from the front of the CORSA exhaust system tighten all spherical clamps to **21 ft.-lbs.** and TORCA clamps to **45 ft.-lbs** using a torque wrench.
- 6) **It is strongly suggested that all clamps be checked and tightened after road testing the vehicle once the system has cooled.**

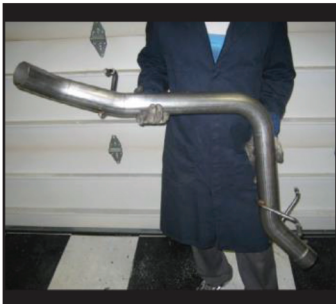


FIG. L



FIG. M



FIG. N



FIG. O

**NOTE:** During cold weather start-ups, you may experience an exhaust sound that is deeper and louder in tone than usual. This is temporary and will diminish to normal levels once your engine has reached its normal operating temperature.

**NOTE:** Immediately following the installation of your CORSA exhaust system, you may experience a trace of smoke after initial start-up. DO NOT be alarmed. The smoke is caused by the burning of a small amount of forming oil residue used in the manufacturing process.



FIG. P



FIG. Q

If you have any questions about the installation process, call CORSA Performance and ask one of our Sales & Technical Service Representatives. Do not attempt to make any modifications to parts as this will void your warranty.