

12004

2007 - 2009 ACURA RDX

12/01/2020

GROSS LOAD CAPACITY WHEN USED AS A WEIGHT CARRYING HITCH: 3,500 LBS. TRAILER WEIGHT & 300 LBS. TONGUE WEIGHT.

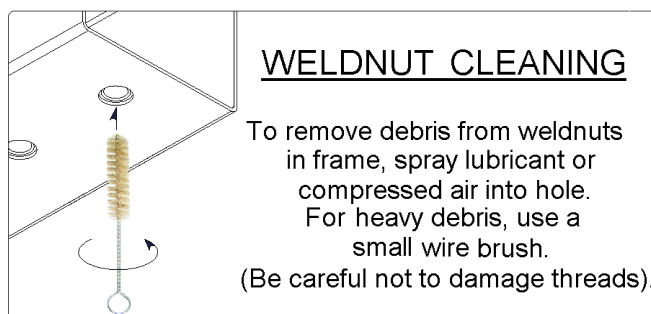
DO NOT EXCEED VEHICLE MANUFACTURER'S RECOMMENDED TOWING CAPACITY.

WARNING: ALL NON-TRAILER LOADS APPLIED TO THIS PRODUCT MUST BE SUPPORTED BY AUXILIARY STABILIZING STRAPS.

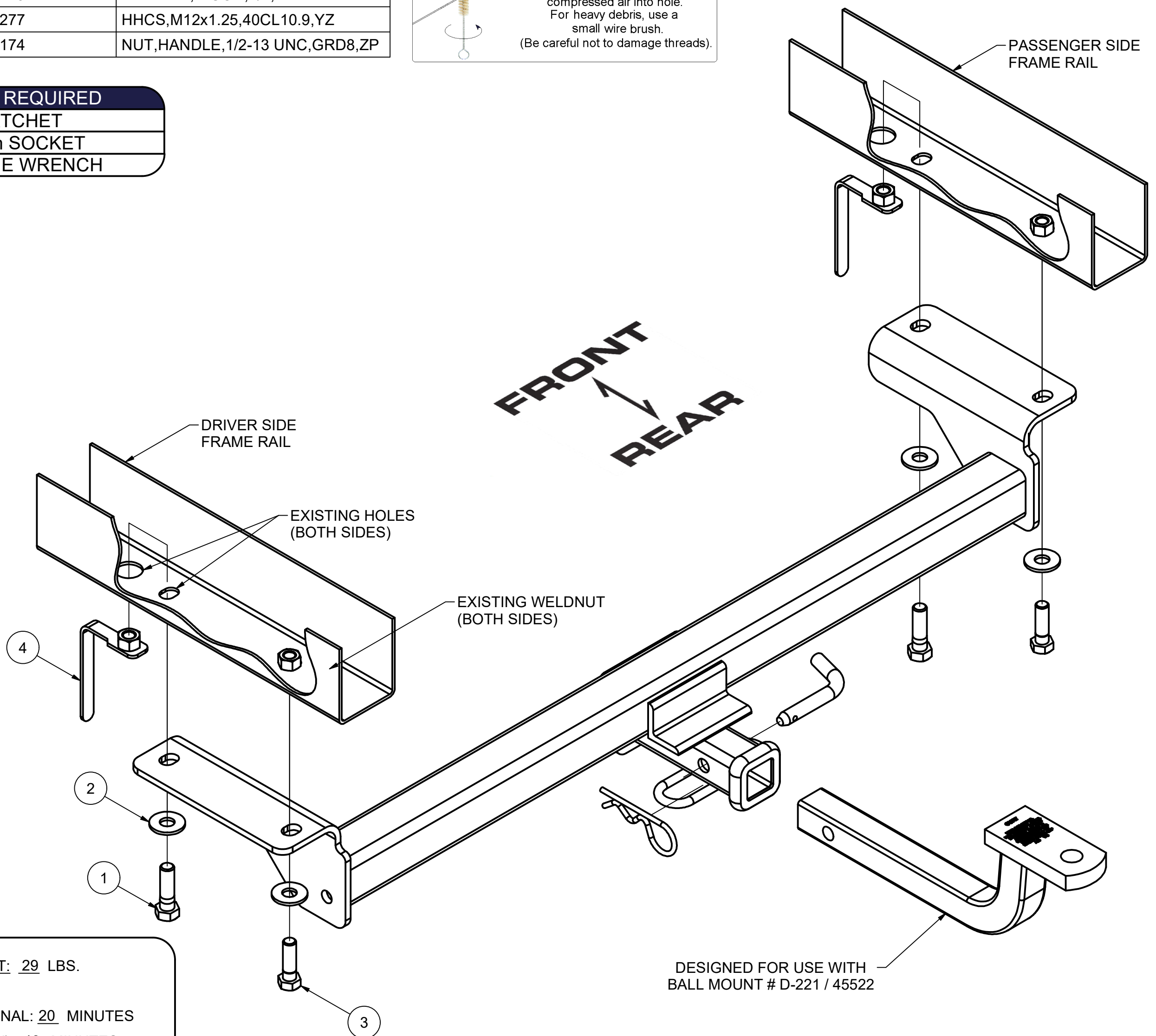
** FAILURE TO PROPERLY SUPPORT NON-TRAILER LOADS WILL VOID PRODUCT WARRANTY**

HAVING INSTALLATION QUESTIONS? CALL TECHNICAL SUPPORT AT 1-877-287-8634

| Parts List | | | |
|------------|-----|-------------|-----------------------------------|
| ITEM | QTY | PART NUMBER | DESCRIPTION |
| 1 | 2 | 10-10370 | HHCS, 1/2-13 UNC, 1-3/4, GRD8, YZ |
| 2 | 4 | 30-00149 | WASHER, S-CON, 1/2, YZ |
| 3 | 2 | 10-10277 | HHCS, M12x1.25, 40CL10.9, YZ |
| 4 | 2 | 20-00174 | NUT, HANDLE, 1/2-13 UNC, GRD8, ZP |



| TOOLS REQUIRED | |
|----------------|--|
| RATCHET | |
| 19mm SOCKET | |
| TORQUE WRENCH | |



HITCH WEIGHT: 29 LBS.

INSTALL TIME

PROFESSIONAL: 20 MINUTES

NOVICE (DIY): 40 MINUTES

INSTALL NOTES:

- NO DRILLING REQUIRED
- NO FISHWIRING REQUIRED

INSTALLATION STEPS

- 1) Raise hitch into position and align holes on hitch with holes in frame rail.
- 2) Install rearmost bolts hand-tight to secure hitch to frame.
- 3) Insert bent handle nuts as shown and install remaining hardware.
- 4) Torque M12 hardware to 86 lb-ft. and all 1/2" hardware to 110 lb-ft.

PERIODICALLY CHECK THIS RECEIVER HITCH TO ENSURE THAT ALL FASTENERS ARE TIGHT AND THAT ALL STRUCTURAL COMPONENTS ARE SOUND.

Curt Manufacturing Inc., warrants this product to be free of defects in material and/or workmanship at the time of retail purchase by the original purchaser. If the product is found to be defective, Curt Manufacturing Inc., may repair or replace the product, at their option, when the product is returned, prepaid, with proof of purchase. Alteration to, misuse of, or improper installation of this product voids the warranty. Curt Manufacturing Inc.'s liability is limited to repair or replacement of products found to be defective, and specifically excludes liability for incidental or consequential loss or damage.