

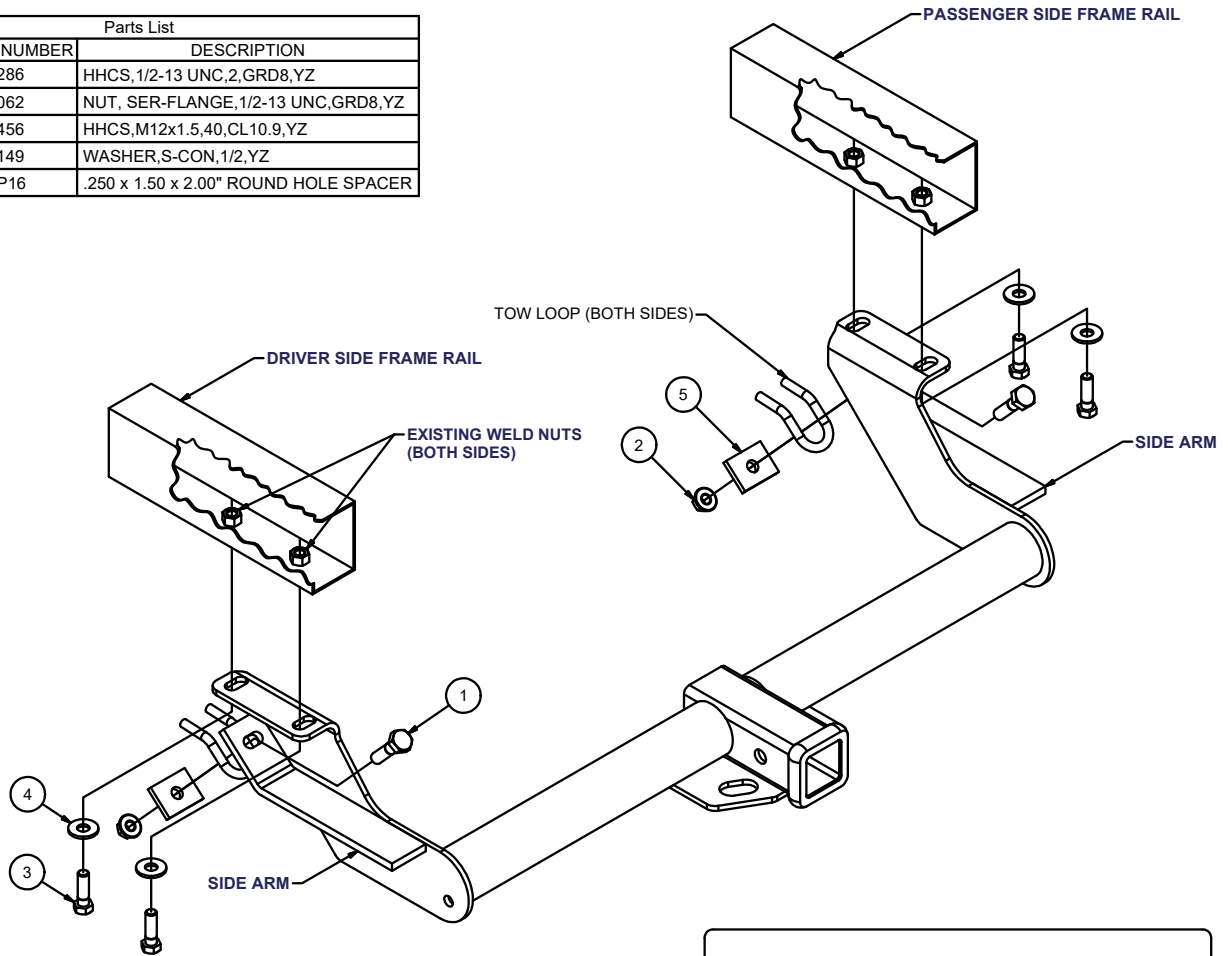
13340 / 78225 / 757340

02-05 KIA SEDONA VAN

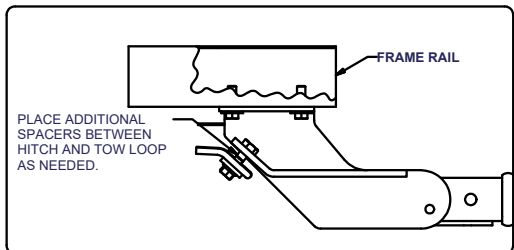
9/11/2020

GROSS LOAD CAPACITY WHEN USED AS A WEIGHT CARRYING HITCH: 3500 LBS. TRAILER WEIGHT & 300 LBS. TONGUE WEIGHT.
 GROSS LOAD CAPACITY WHEN USED AS A WEIGHT DISTRIBUTION HITCH: 5000 LBS. TRAILER WEIGHT & 500 LBS. TONGUE WEIGHT
*****DO NOT EXCEED VEHICLE MANUFACTURER'S RECOMMENDED TOWING CAPACITY.*****

Parts List			
ITEM	QTY	PART NUMBER	DESCRIPTION
1	2	10-10286	HHCS, 1/2-13 UNC, 2, GRD8, YZ
2	2	20-00062	NUT, SER-FLANGE, 1/2-13 UNC, GRD8, YZ
3	4	10-10456	HHCS, M12x1.5, 40, CL10.9, YZ
4	4	30-00149	WASHER, S-CON, 1/2, YZ
5	4	CM-SP16	.250 x 1.50 x 2.00" ROUND HOLE SPACER



HITCH WEIGHT: 32 LBS.
 INSTALL TIME: 30 MINUTES
 INSTALL NOTES:
 - NO DRILLING REQUIRED



INSTALLATION STEPS

1. Remove four 12mm bolts securing the bumper brackets inside frame rail. Do not move bumper. Position hitch on bottom of frame rails with side arms on top of vehicle tow loops.
2. Fasten hitch to frame using 12mm bolts in locations where bolts were removed in step 1.
3. Fasten side arms to tow loop using 1/2" bolts and spacer plates as shown. Use additional spacers as needed.
4. Torque 12mm fasteners to 83 lb.-ft. and 1/2" fasteners to 110 lb.-ft.

PERIODICALLY CHECK THIS RECEIVER HITCH TO ENSURE THAT ALL FASTENERS ARE TIGHT AND THAT ALL STRUCTURAL COMPONENTS ARE SOUND.

Curt Manufacturing Inc., warrants this product to be free of defects in material and/or workmanship at the time of retail purchase by the original purchaser. If the product is found to be defective, Curt Manufacturing Inc., may repair or replace the product, at their option, when the product is returned, prepaid, with proof of purchase. Alteration to, misuse of, or improper installation of this product voids the warranty. Curt Manufacturing Inc.'s liability is limited to repair or replacement of products found to be defective, and specifically excludes liability for incidental or consequential loss or damage.