

INSTALLATION MANUAL

13475

Level of Difficulty

Easy

Installation difficulty levels are based on time and effort involved and may vary depending on the installer level of expertise, condition of the vehicle and proper tools and equipment.

Weight Carrying Capacity

Gross trailer weight (GTW)	6,000 lbs.
Tongue weight (TW)	900 lbs.

Weight Distribution Capacity

Weight distribution (WD)	10,000 lbs.
WD tongue weight (WDTW)	1,000 lbs.

Parts List

Item	Qty	Description
1	2	U-shaped spacer, 3/16" x 1" x 2"
2	6	Square-hole spacer, 3/8" x 1-1/4" x 2-1/2"
3	4	Carriage bolt, 5/8"-11 x 1-3/4", grade 8
4	4	Serrated-flange nut, 5/8"-11, grade 8
5	4	Fishwire, 5/8"
6	1	Flange bolt, M8 -1.25 x 25mm, CL10.9

Tools Required

Ratchet	Torque wrench
Socket, 10mm	Socket, 15/16"
Socket, 13mm	Masking tape

* For a tools reference guide visit curtmfg.com/trailer-hitch-installation

⚠ WARNING

Never exceed the vehicle manufacturer's recommended towing capacity.

Product Photo



NOTICE

Visit www.curtmfg.com for a full-color copy of this instruction manual, as well as helpful videos, guides and much more!

Before you begin installation, read all instructions thoroughly.

Proper tools will improve the quality of installation and reduce the time required.

This installation requires:

- Lowering of the spare tire
- Fishwiring to install hardware
- Temporary ground cable removal, if applicable

Periodic inspection of the trailer hitch should be performed to ensure all mounting hardware remains tight and structural components are secure.

To help prevent damage to the product or vehicle, refer to the specified torque specifications when securing hardware during the installation process.

SAFETY INSTRUCTIONS

Safety glasses should be worn at all times while installing this product.

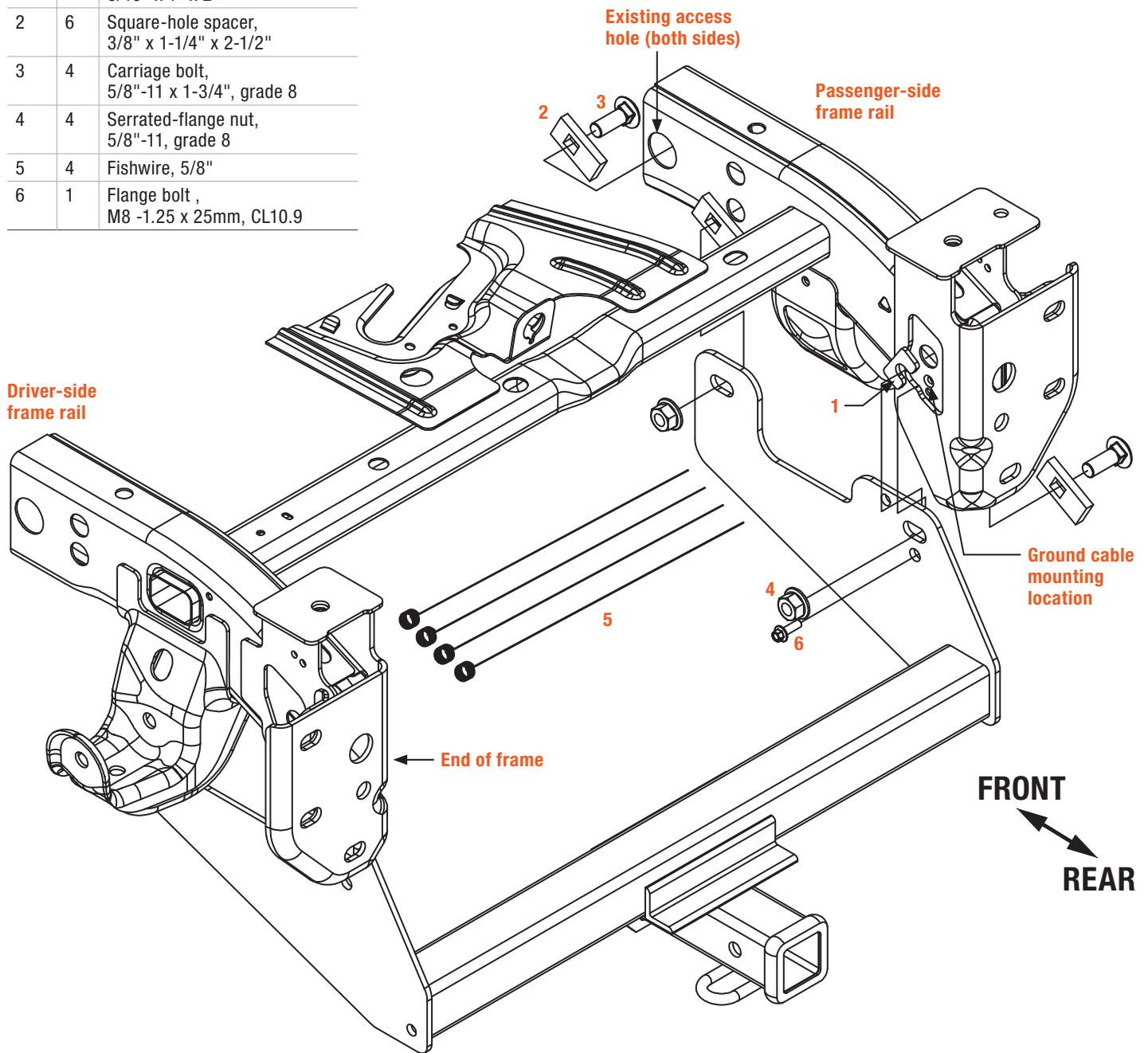
Product Registration and Warranty

CURT stands behind our products with industry-leading warranties. To get copies of the product warranties, register your purchase or provide feedback, visit: warranty.curtgroup.com/surveys

ASSEMBLY

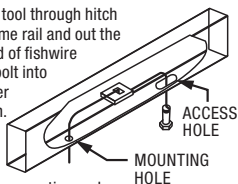
Parts List

Item	Qty	Description
1	2	U-shaped spacer, 3/16" x 1" x 2"
2	6	Square-hole spacer, 3/8" x 1-1/4" x 2-1/2"
3	4	Carriage bolt, 5/8"-11 x 1-3/4", grade 8
4	4	Serrated-flange nut, 5/8"-11, grade 8
5	4	Fishwire, 5/8"
6	1	Flange bolt, M8 -1.25 x 25mm, CL10.9



FISHWIRE TECHNIQUE

Insert coiled end of fishwire tool through hitch mounting hole in vehicle frame rail and out the access hole. Pass coiled end of fishwire through spacer and thread bolt into coil. Kink wire to keep spacer separate from bolt as shown. Pull fishwire, spacer and bolt through frame and out mounting hole. Use fishwire to guide hitch during mounting and prevent loss of bolt or spacer inside frame rail.



Step 1

If present, using a 10mm socket, remove the grounding cable from the rear of the passenger side frame rail. Return the fastener to vehicle owner.

Lower the spare tire for installation.



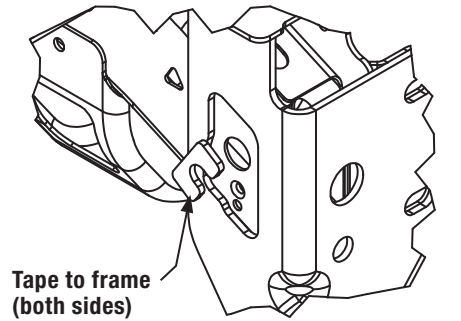
Step 2

If present, pull out the harness plug from the driver side frame rail.



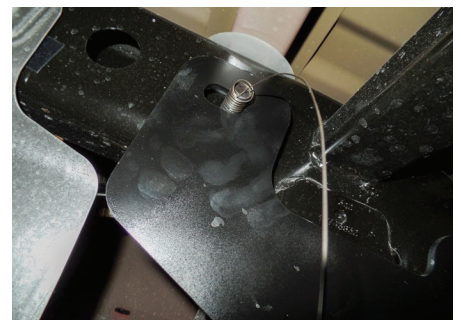
Step 3

For the rearward most holes, tape a U-shaped spacer (#1) into the recess in the frame.



Step 4

Fishwire (#5) two 5/8" carriage bolts (#3) and square-hole spacers (#2) through either an access hole or the end of the frame. Leave the hardware in the frame with the fishwires attached. Repeat on the other side.

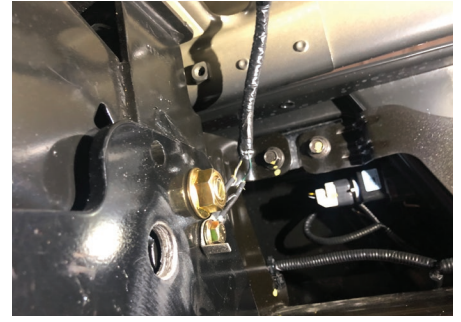


Step 5

Raise the trailer hitch into position and pull the fishwires so the carriage bolts are in their final position. Remove the fishwires carefully and loosely install the supplied 5/8" serrated flange nuts (#4).

If removed in Step 1, reinstall the grounding cable with the provided M8 flange bolt (#6).

If removed in Step 2, push the harness plug into the 1" hole on the hitch plate on the driver side.



Step 6

Torque all 5/8" fasteners to 180 lb-ft.

Raise the spare tire back into position.



Final Installed Image



TOWING BASICS & SAFETY INFORMATION

For information on safely towing your trailer, visit curtmfg.com/understanding-towing.