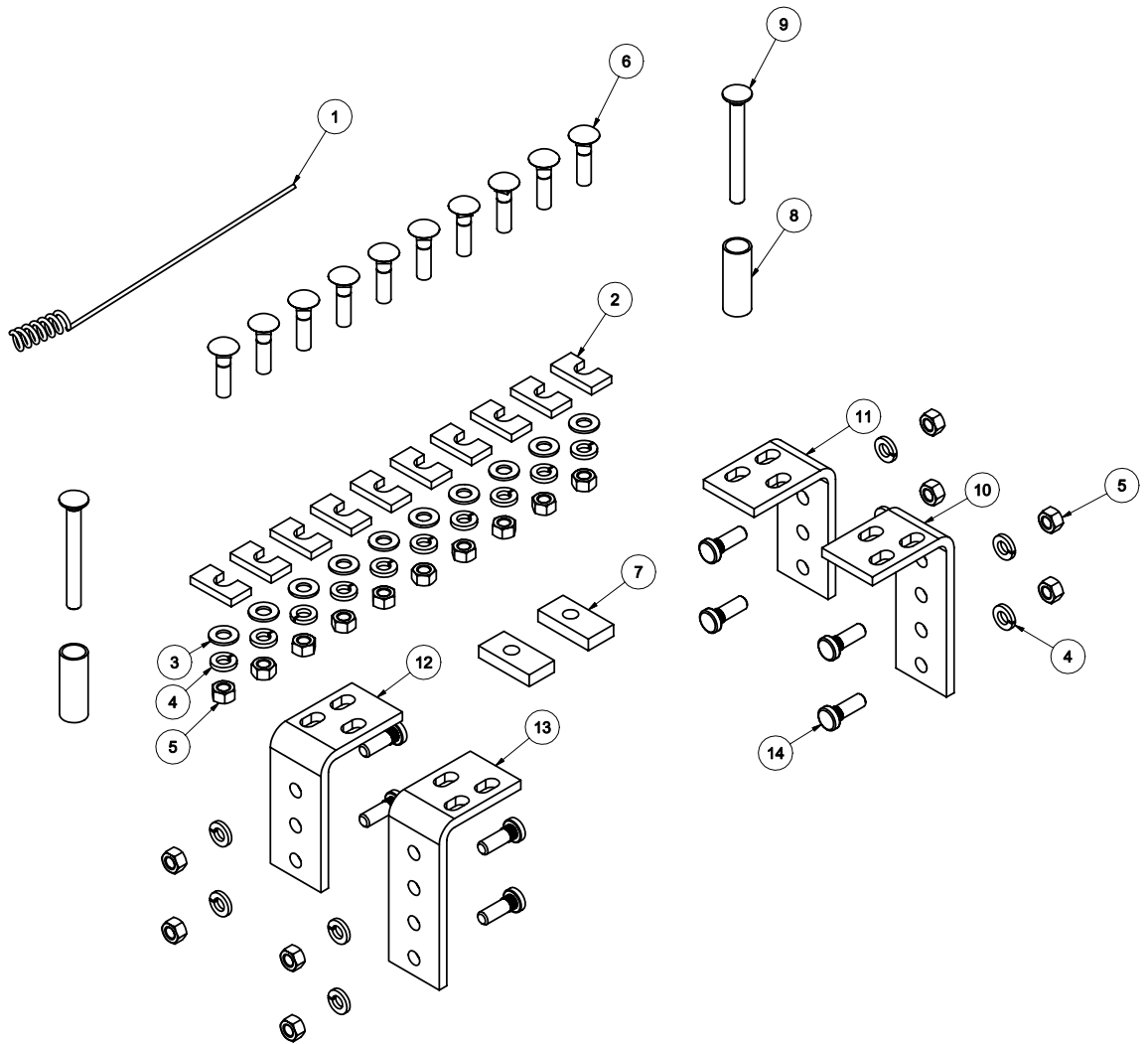


16101 MOUNTING INSTALLATION KIT

****CUSTOM MOUNTING BRACKETS REQUIRED ON SOME INSTALLATIONS****

Parts List			
ITEM	QTY	PART NUMBER	DESCRIPTION
1	1	1/2"	FISHWIRE TOOL
2	10	CM-SP136	.313" x 1.00 x 2.00" U-SHAPE SPACER
3	10	1/2"	WASHER
4	18	1/2"	LOCK WASHER
5	18	1/2-13	HEX NUT
6	10	1/2 - 13 x 2"	CARRIAGE BOLT
7	2	CM-SP52	.500 x 1.25 x 2.50" ROUND HOLE SPACER
8	2	CM-16100-TS	ROUND TUBE 1.00 OD x 14GA A-513
9	2	1/2-13 x 4 1/2	CARRIAGE BOLT
10	1	CM-16100-LMBL	LONG MOUNTING BRACKET LEFT
11	1	CM-16100-SMBL	SHORT MOUNTING BRACKET LEFT
12	1	CM-16100-SMBR	SHORT MOUNTING BRACKET RIGHT
13	1	CM-16100-LMBR	LONG MOUNTING BRACKET RIGHT
14	8	1/2 - 13 x 1 1/2 WB	1/2 - 13 x 1 1/2 WHEEL BOLT



Curt Manufacturing Inc., warrants this product to be free of defects in material and/or workmanship at the time of retail purchase by the original purchaser. If the product is found to be defective, Curt Manufacturing Inc., may repair or replace the product, at their option, when the product is returned, prepaid, with proof of purchase. Alteration to, misuse of, or improper installation of this product voids the warranty. Curt Manufacturing Inc.'s liability is limited to repair or replacement of products found to be defective, and specifically excludes liability for incidental or consequential loss or damage.