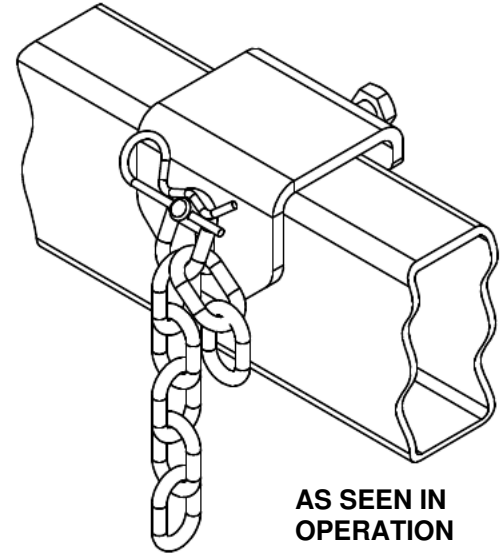
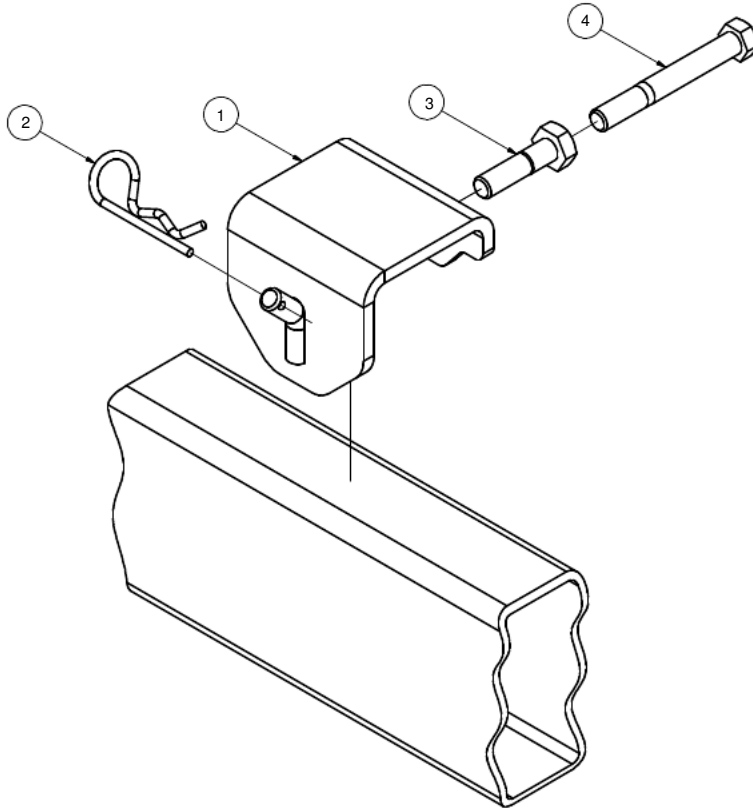


**17003****CLAMP ON CHAIN HANGERS**

7/27/11

**\*\*\*DO NOT EXCEED VEHICLE MANUFACTURER'S RECOMMENDED TOWING CAPACITY\*\*\***  
 HAVING INSTALLATION QUESTIONS? CALL TECHNICAL SUPPORT AT 1-877-287-8634

Parts List			
ITEM	QTY	PART NUMBER	DESCRIPTION
1	2	17003-003	HANGER WELDMENT
2	2	CM-F4C	F-4 CLIP
3	2	1/2-13 x 2"	HEX BOLT
4	2	1/2-13 x 3 1/2" HEX TAP BOLT	HEX TAP BOLT

**OPERATION INSTRUCTIONS:**

- 1) With trailer attached to the vehicle, raise the trailer tongue and vehicle with the jack.
- 2) Hang the closest chain link over the hanger on both sides as shown above.
- 3) Lower vehicle to make sure the vehicle and trailer are in alignment. Once aligned, insert the F-4 CLIPs.

HITCH WEIGHT: 6 LBS.INSTALL TIMEPROFESSIONAL: 5 MINUTESNOVICE (DIY): 10 MINUTESINSTALL NOTES:

- NO DRILLING REQUIRED

**INSTALLATION STEPS**

1. Place hanger weldment on top of the trailer frame directly above the chains of the weight distribution hitch.
2. Install bolt as shown above, do not over tighten. Repeat for other side.

**PERIODICALLY CHECK TO ENSURE THAT ALL FASTENERS ARE TIGHT AND THAT ALL STRUCTURAL COMPONENTS ARE SOUND.**

Curt Manufacturing LLC., warrants this product to be free of defects in material and/or workmanship at the time of retail purchase by the original purchaser. If the product is found to be defective, Curt Manufacturing LLC., may repair or replace the product, at their option, when the product is returned, prepaid, with proof of purchase. Alteration to, misuse of, or improper installation of this product voids the warranty. Curt Manufacturing LLC.'s liability is limited to repair or replacement of products found to be defective, and specifically excludes liability for incidental or consequential loss or damage.