

# INSTALLATION MANUAL

# 19279

## Level of Difficulty

Moderate

## Parts List

Item	Qty	Description
1	1	Handle
2	1	Bearing
3	1	Spring
4	1	Shoulder screw
5	1	Wire lock pin, 1/4" x 1-3/4"
6	2	Key ring, 16mm
7	1	Twisted link chain

## Tools Required

Allen keys	Torque wrench
------------	---------------

## Torque Specifications

Shoulder screw	6 in-lbs.
----------------	-----------

Use above torque setting unless otherwise noted

## Product Registration

CURT stands behind our products with industry-leading warranties. Provide feedback and help us to improve our products by registering your purchase at: [warranty.curtgroup.com/surveys](http://warranty.curtgroup.com/surveys)

## NOTICE

Before you begin installation, read all instructions thoroughly.

Proper tools will improve the quality of installation and reduce the time required.

To help prevent damage to the product or vehicle, refer to the specified torque specifications when securing hardware during the installation process.

## ⚠ DANGER ZONE PRECAUTIONS

Block all trailer tires in front and behind with appropriate wheel chocks. Do not substitute objects such as, but not limited to: stones, wood blocks, etc. Front trailer lifting jacks must be supporting the trailer and resting on a firm and level surface.

Towing vehicle must be stationary with automatic transmission in park (manual in neutral), emergency brake applied and engine off.

## ⚠ WARNING

Fully instruct and demonstrate the operation of this 5th wheel hitch to the end user. Include the importance of observing all warnings contained herein, including warning labels on 5th wheel hitch main body. Provide this manual in its entirety to the end user. Serious injury or death may result if the warnings above are not observed.

Do not expose hands, body parts or clothing between the truck and trailer or the truck's bed sides and trailer. If you must place any part of your body under trailer or between truck and trailer, you must:

1. Block all trailer tires with wheel chocks.
2. Make sure trailer landing gear / jacks are resting on a firm, level surface.
3. Towing vehicle must be stationary with auto transmission in park (manual in neutral), emergency brake applied and engine off.

Never exceed the towing capacity (trailer and contents combined) of any towing system component or your vehicle.

Improperly coupled trailers can separate or drop without notice, causing serious injury or death. To reduce the chance of serious injury or death:

Never attempt to couple trailer without reading and following all instructions thoroughly.

Always follow operating instructions to secure trailer to tow vehicle. Make sure the hitch is secure before towing.

Prior to towing, ensure all components and hardware are structurally sound and secure.

Always chock the trailer to prevent movement while coupling the hitch.

Always ensure lynch pins are installed through handle before towing.

Always perform a pull test prior to towing. See 'pull test' later in this instruction manual.

Never position anyone under the trailer's kingpin area during coupling and uncoupling.

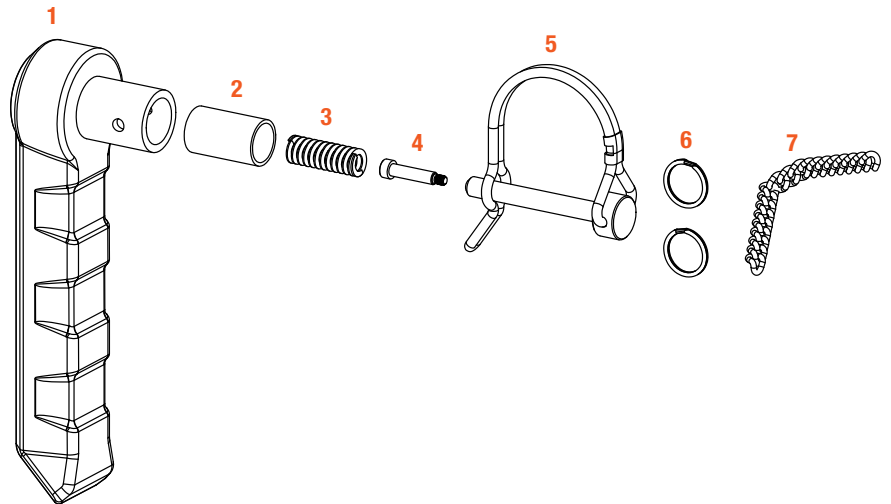
## Product Photo



# ASSEMBLY

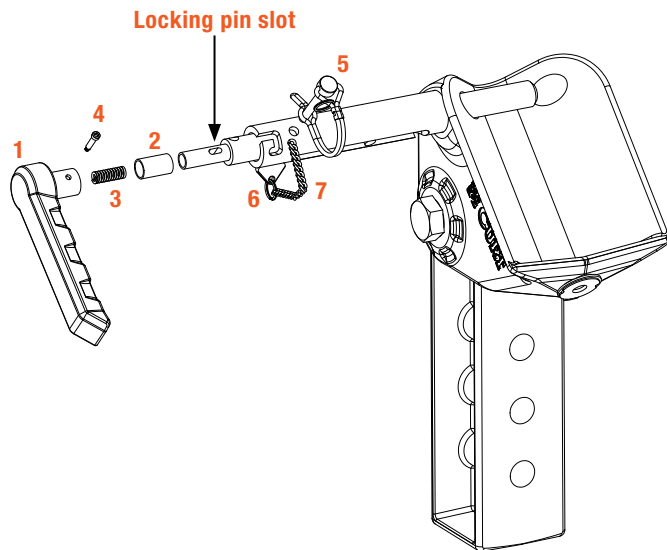
## Parts List

Item	Qty	Description
1	1	Handle
2	1	Bearing
3	1	Spring
4	1	Shoulder screw
5	1	Wire lock pin, 1/4" x 1-3/4"
6	2	Key ring, 16mm
7	1	Twisted link chain



## Step 1

Insert all components as shown below. Fasten the handle with the shoulder screw, placing it through the slot in the locking pin.



## Step 2

Torque the shoulder screw (#4) to 6 in-lbs.

## Maintenance

The CURT 5th wheel hitch has been designed to offer years of safe and reliable service. To achieve the best performance and the longest possible service life, please follow the maintenance schedule listed in the installation manual included with your hitch or visit <https://www.curtmfg.com> for online installation manuals