

INSTALLATION MANUAL

70112

Level of Difficulty

Moderate

Installation difficulty levels are based on time and effort involved and may vary depending on the installer level of expertise, condition of the vehicle and proper tools and equipment.

Installed Attachment Tabs

Height	17-3/4"
Width	24"

Parts List

Item	Qty	Description
1	1	Tow bar base plate
2	2	Tow bar mounting tab
3	2	Safety cable, 3,500 lbs.
4	4	Square hole spacer, 1/4" x 1" x 2"
5	4	Flange nut, 3/8"-16, grade 8
6	4	Carriage bolt, 3/8"-16 x 1-1/2", grade 8
7	4	Quick link, 1/4"
8	2	Socket plug

Tools Required

Torque wrench	Drill
Socket, 9/16"	Drill bit, 13/32"
Socket, 7mm	Tape measure
Socket, 16mm	Clamp
Fishwire, 3/8" (includes four)	--

⚠ WARNING

Never exceed the vehicle manufacturer's recommended gross vehicle weight rating (GVWR).

Product Photo



Not pictured: Safety cables, quick links and socket plugs

⚠ CAUTION

Take care when cutting any plastic or metal as injury may occur if done improperly.

NOTICE

Visit www.curtmfg.com for a full-color copy of this instruction manual, as well as helpful videos, guides and much more!

Before you begin installation, read all instructions thoroughly.

Proper tools will improve the quality of installation and reduce the time required.

This installation requires some drilling and trimming.

To help prevent damage to the product or vehicle, refer to the specified torque specifications when securing hardware during the installation process.

If equipped, we recommend removing the base plate attachment tabs when not in use.

SAFETY INSTRUCTIONS

Safety glasses should be worn at all times while installing this product.

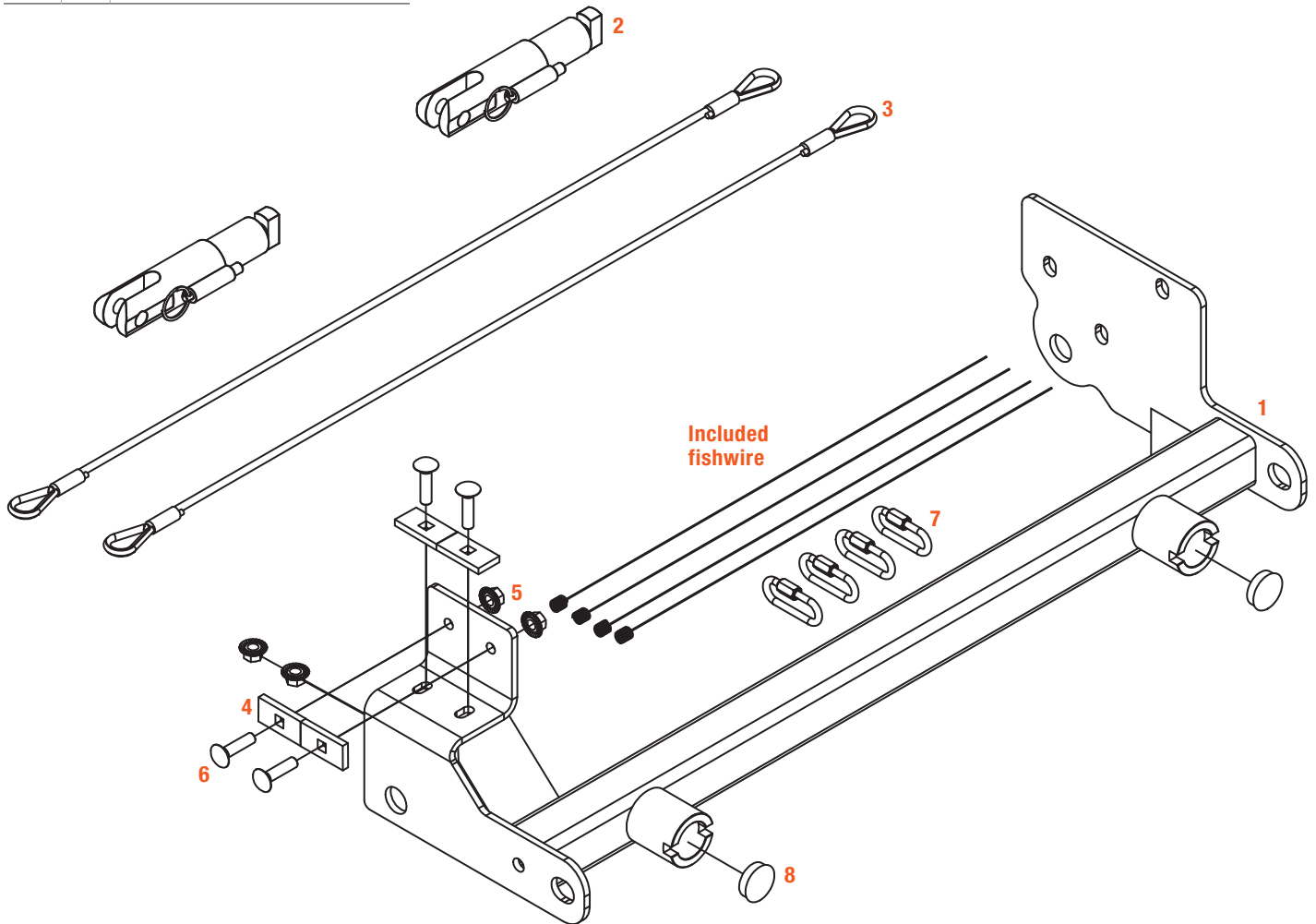
Product Registration and Warranty

CURT stands behind our products with industry-leading warranties. To get copies of the product warranties, register your purchase or provide feedback, visit: warranty.curtgroup.com/surveys

ASSEMBLY

Parts List

Item	Qty	Description
1	1	Tow bar base plate
2	2	Tow bar mounting tab
3	2	Safety cable, 3,500 lbs.
4	4	Square hole spacer, 1/4" x 1" x 2"
5	4	Flange nut, 3/8"-16, grade 8
6	4	Carriage bolt, 3/8"-16 x 1-1/2", grade 8
7	4	Quick link, 1/4"
8	2	Socket plug



Step 1

Begin by supporting the steering box and idler arm, using a strap or jack stand.

Then, use a 16mm socket to remove the three bolts passing through the frame and into the steering box housing.



Step 2

Position the tow bar base plate (#1) on the vehicle frame and secure it in place using the previously removed bolts for the driver side and a clamp on the passenger side.

Be sure to reattach the gear box on the driver side as the bolts are installed.

Snug the hardware but do not fully tighten.



Step 3

Making sure the tow bar base plate (#1) is level, drill four 13/32" holes in the vehicle frame, using the passenger-side side plate holes as a guide.



Step 4

Secure the passenger-side attachment by fishwiring the 3/8" carriage bolts (#6) and square hole spacers (#4) into each hole and installing 3/8" flange nuts (#5) as shown.

Torque all hardware to 37 lb-ft.



Step 5

Install the permanent safety cables (#3) and quick links (#7), looping them around the vehicle frame and linking them to the tow bar base plate (#1). There must be one cable on each side of the vehicle.

Make sure the cables do not pinch or interfere with any hoses, wiring or other components.

See 'Installing the Permanent Base Plate Safety Cables' for additional information.

When ready to tow, install the tow bar mounting tabs (#2). When not towing, insert the socket plugs (#8) into the ends of the tow bar base plate (#1).

Final Installed Image



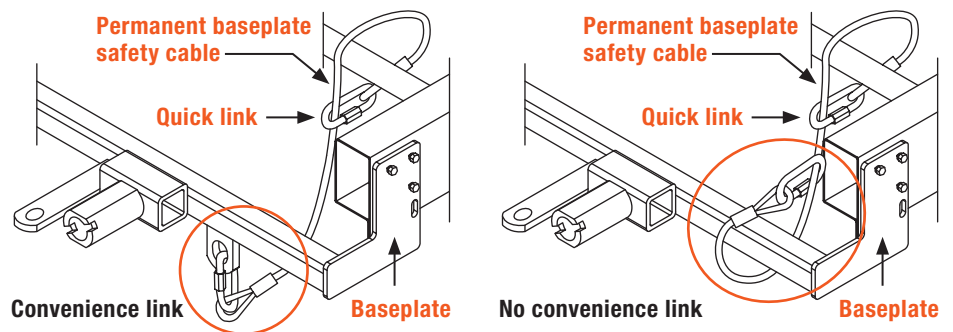
SAFETY CABLE INSTALLATION

Installing the Permanent Base Plate Safety Cables

When dinghy towing a vehicle with a tow bar, base plate safety cables should be used at all times. In the event of a disconnect, the safety cables are designed to help prevent complete vehicle separation. When installing the safety cables, use the illustrations below as a guide.

Installation guidelines

1. The cables must be connected to the base plate and the vehicle frame.
2. Two cables must be installed.
3. Each cable must meet or exceed the gross weight of the towed vehicle.
4. Make sure cables do not pinch or interfere with hoses, wiring or other components.



Note: Base plate safety cables are not a replacement for safety chains connecting the tow vehicle to the towed vehicle.

ADDITIONAL INFORMATION

Towing Tips

Check your equipment

Periodically check the condition of all towing equipment. Ensure all fasteners are tight and that all structural components are sound. Do not tow with worn or damaged parts.

Vehicle manufacturer's recommendations

Review the owner's manual for your towed vehicle and towing vehicle for specific recommendations, capacities and requirements.