

# INSTALLATION MANUAL

# 70142

## Level of Difficulty

Easy

Installation difficulty levels are based on time and effort involved and may vary depending on the installer level of expertise, condition of the vehicle and proper tools and equipment.

## Installed Attachment Tabs

Height	25.5"
Width	24"

## Parts List

Item	Qty	Description
1	1	Tow bar base plate
2	2	Tow bar mounting tab
3	2	Safety cable, 7,500 lbs.
4	8	Carriage bolt, 7/16"-14, 2", grade 8
5	8	Serrated flange nut, 7/16"-14, grade 8
6	8	Conical-toothed washer, 7/16"
7	2	Quick link, 1/2"
8	2	Caplugs # dop-1375

## Tools Required

Socket, 10mm	Ratchet wrench
Socket, 18mm	Torque wrench
Socket, 5/8"	Torx bit, T-50
Flathead screwdriver	Reciprocating Saw

## ⚠ WARNING

Never exceed the vehicle manufacturer's recommended towing capacity.

## Product Photo



## ⚠ CAUTION

Take care when cutting any plastic or metal as injury may occur if done improperly.

## NOTICE

Visit [www.curtmfg.com](http://www.curtmfg.com) for a full-color copy of this instruction manual, as well as helpful videos, guides and much more!

Before you begin installation, read all instructions thoroughly.

Proper tools will improve the quality of installation and reduce the time required.

This installation requires:

- Removal of bumper cover
- Trimming

Periodic inspection of your product should be performed to ensure all hardware and / or components remain secure.

To help prevent damage to the product or vehicle, refer to the specified torque specifications when securing hardware during the installation process.

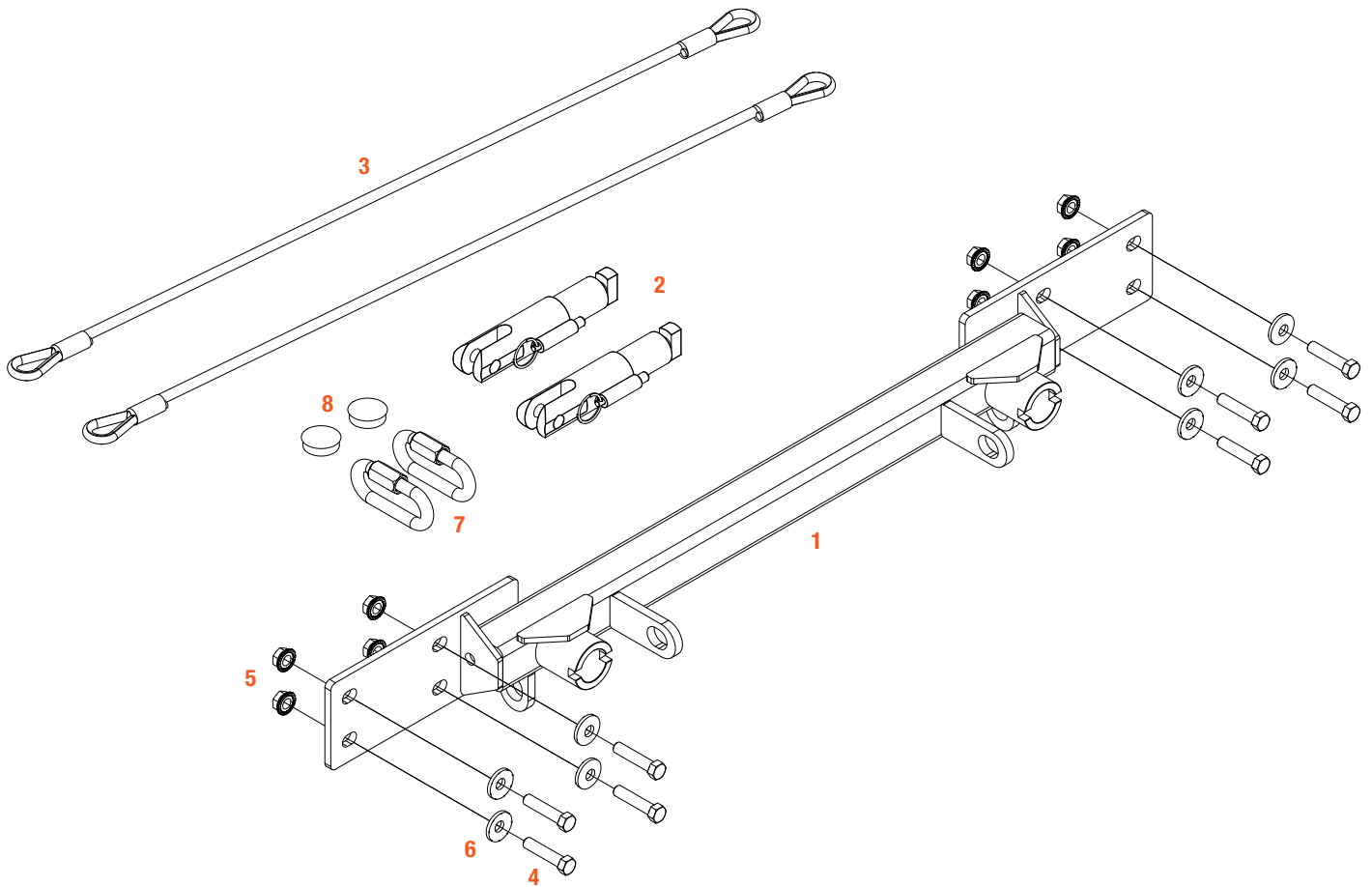
## Product Registration and Warranty

CURT stands behind our products with industry-leading warranties. To get copies of the product warranties, register your purchase or provide feedback, visit: [warranty.curtgroup.com/surveys](http://warranty.curtgroup.com/surveys)

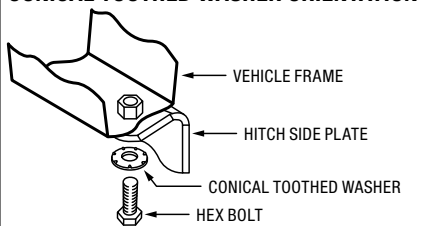
# ASSEMBLY

## Parts List

Item	Qty	Description
1	1	Tow bar base plate
2	2	Tow bar mounting tab
3	2	Safety cable, 7,500 lbs.
4	8	Carriage bolt, 7/16"-14, 2", grade 8
5	8	Serrated flange nut, 7/16"-14, grade 8
6	8	Conical-toothed washer, 7/16"
7	2	Quick link, 1/2"
8	2	Caplugs # dop-1375

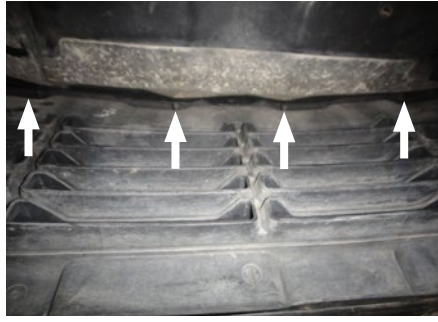


### CONICAL TOOTHED WASHER ORIENTATION



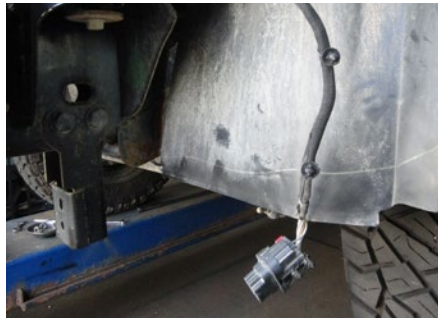
### Step 1

Use a screwdriver to remove four push fasteners from the plastic shield below the radiator.



### Step 2

Unplug any electrical connections that are hooked up to the lower front bumper.



### Step 3

Use an 18mm socket to remove four nuts from the backside of the bumper. Repeat on the other side of the vehicle.

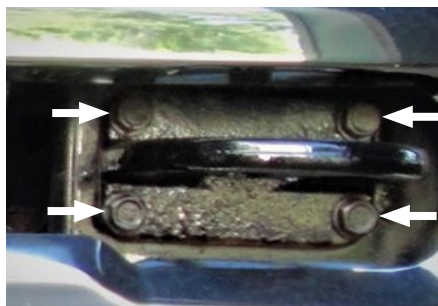
Remove the bumper and set aside to be reinstalled later.



### Step 4

If tow hooks are equipped on the truck, remove the four bolts using a T-50 Torx bit or an 18mm socket with closed-faced wrench on the backside.

Repeat on the other side of the vehicle.



### Step 5

If needed, trim the lower radiator shroud to allow clearance for the D-Link on the baseplate.

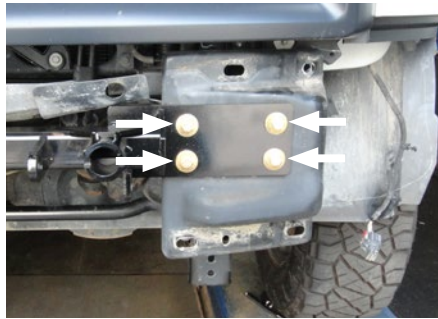
Repeat on the other side of the vehicle.



### Step 6

Install the base plate (#1) into the tow hook holes using 7/16" bolts (#4), 7/16" conical-toothed washers (#6) and 7/16" serrated flange nuts (#5). If equipped with tow hooks, install them with the base plate.

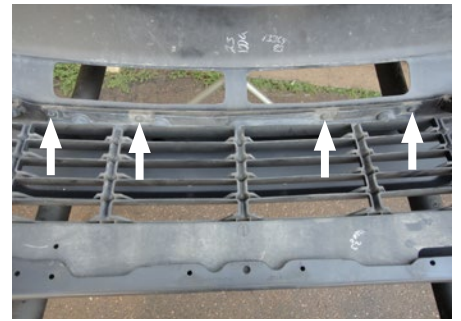
Torque all 7/16" fasteners to 60 ft-lbs.



### Step 7

If equipped with the plastic shutter insert, remove two bolts from the top edge of the bumper using a 10mm socket. Then remove the four push fasteners from the bottom edge.

Remove the plastic shutter insert.



### Step 8

Install the permanent safety cables (#3) and quick links (#7), looping them around the vehicle frame and linking them to the tow bar base plate (#1). There must be one cable on each side of the vehicle. Reinstall the bumper and reconnect all electrical wires.

Make sure the cables do not pinch or interfere with any hoses, wiring or other components (see Installing the Permanent Base Plate Safety Cables for additional information).





## Step 9

When ready to tow, install the tow bar mounting tabs. When not towing, insert the socket plugs into the ends of the tow bar base plates.

## Final Installed Image



## TOWING BASICS & SAFETY INFORMATION

For information on safely towing your trailer, visit [curtmfg.com/understanding-towing](http://curtmfg.com/understanding-towing).

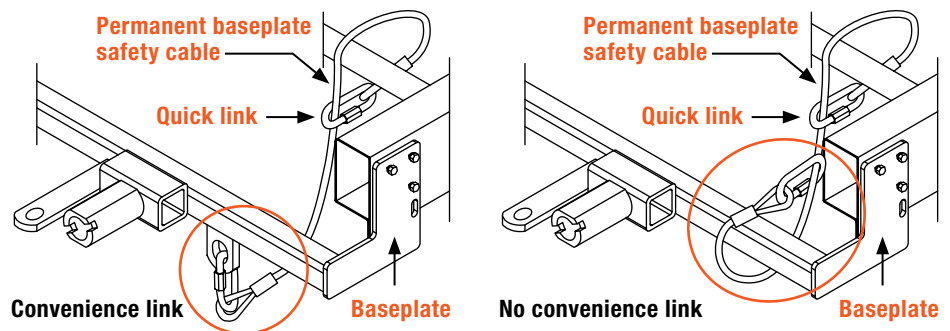
# SAFETY CABLE INSTALLATION

## Installing the Permanent Base Plate Safety Cables

When dinghy towing a vehicle with a tow bar, base plate safety cables should be used at all times. In the event of a disconnect, the safety cables are designed to help prevent complete vehicle separation. When installing the safety cables, use the illustrations below as a guide.

### Installation guidelines

1. The cables must be connected to the base plate and the vehicle frame.
2. Two cables must be installed.
3. Each cable must meet or exceed the gross weight of the towed vehicle.
4. Make sure cables do not pinch or interfere with hoses, wiring or other components.



**Note:** Base plate safety cables are not a replacement for safety chains connecting the tow vehicle to the towed vehicle.

# ADDITIONAL INFORMATION

## Towing Tips

### Check your equipment

Periodically check the condition of all towing equipment. Ensure all fasteners are tight and that all structural components are sound. Do not tow with worn or damaged parts.

### Towing vehicle and trailer manufacturer's recommendations

Review the owner's manual for your towing vehicle and trailer for specific recommendations, capacities and requirements.