



Safety glasses should be worn at all times while installing this product.

YEARS: 2012-2013

MAKE: MINI

MODEL: COOPER HATCHBACK

STYLE: 2 DOOR

**WARNING: NEVER EXCEED YOUR VEHICLE MANUFACTURER'S RECOMMENDED TOWING CAPACITY**

**WEIGHT CARRYING:**  
 TRAILER WEIGHT: 2,000 LBS.  
 TONGUE WEIGHT: 200 LBS.

**WARNING:**  
 WE RECOMMEND THE USE OF 18050 STABILIZING STRAPS FOR ALL NON-TRAILER (WHEEL-LESS) LOADS. PLEASE SEE THE CURT CATALOG OR VISIT US ONLINE AT [WWW.CURTMFG.COM](http://WWW.CURTMFG.COM) FOR FURTHER INFORMATION.

**PRO INSTALL TIME: 60 MIN.**  
**NOVICE INSTALL TIME: 120 MIN.**

IF YOU ARE HESITANT TO UNDERTAKE THIS TASK ON YOUR OWN, CONTACT AN AUTHORIZED CURT INSTALLER FOR ADDITIONAL ASSISTANCE.

**INSTALLATION TIPS:**

- BEFORE YOU BEGIN INSTALLATION, READ ALL INSTRUCTIONS THOROUGHLY.
- TO EASE INSTALLATION, 2 PEOPLE MAY BE REQUIRED.
- USING PROPER TOOLS WILL GREATLY IMPROVE THE QUALITY OF THE INSTALL AND REDUCE THE TIME REQUIRED.
- NEED HELP OR HAVE SOME QUESTIONS? CALL TECHNICAL SUPPORT AT 800.798.0813

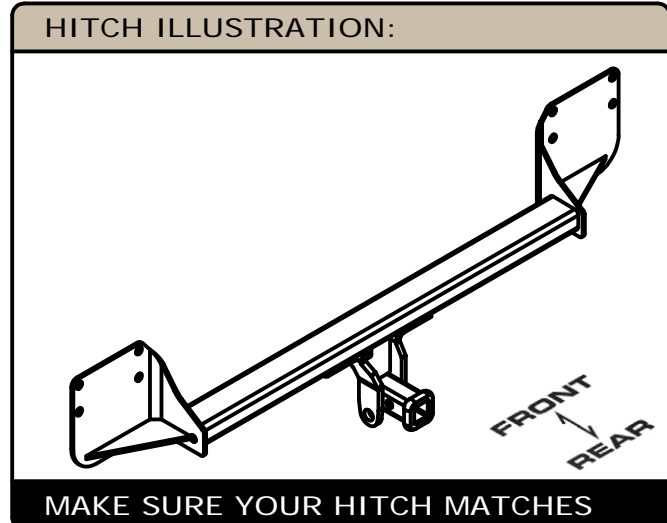


**INSTALLATION REQUIRES:**

RATCHET	TORQUE WRENCH	12" SOCKET EXTENSION
8mm 13mm SOCKET	OFFSET SCREWDRIVER	SCREW DRIVER
MASKING TAPE	SAFETY GLASSES	TAPE MEASURE
AVIATION SHEARS		

**LEVEL OF DIFFICULTY: CHALLENGING**

EASY	MODERATE	CHALLENGING
TRIM	MUST TRIM LOWER BUMPER COVER FOR RECEIVER TUBE ACCESS	
PART REMOVAL	TEMPORARILY REMOVE BUMPER COVER AND BUMPER BEAM	
NO DRILLING	NO DRILLING REQUIRED	



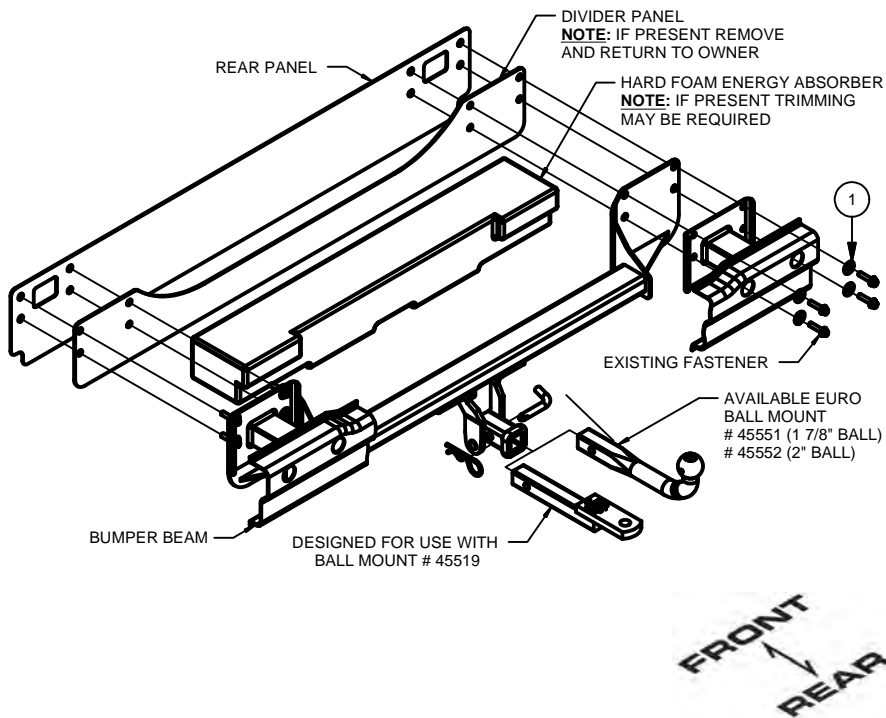
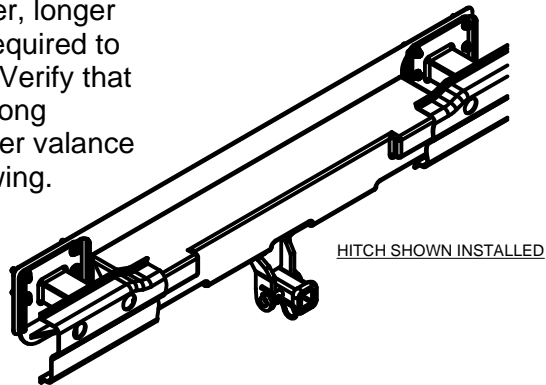
**PERIODICALLY CHECK THIS RECEIVER HITCH TO ENSURE ALL FASTENERS ARE TIGHT AND ALL STRUCTURAL COMPONENTS ARE SOUND**

CURT Manufacturing LLC. warrants this product to be free of defects in material and/or workmanship at the time of retail purchase by the original purchaser. If the product is found to be defective, CURT Manufacturing LLC. may repair or replace the product at their option, when the product is returned, prepaid, with proof of purchase. Alteration to, misuse of, or improper installation of this product voids the warranty. CURT Manufacturing LLC.'s liability is limited to repair or replacement of products found to be defective, and specifically excludes liability for incidental or consequential loss or damage. For more information log onto [www.curtmfg.com](http://www.curtmfg.com), & for helpful towing tips log onto [www.hitchinfo.com](http://www.hitchinfo.com)

## INSTALLATION WALKTHROUGH:

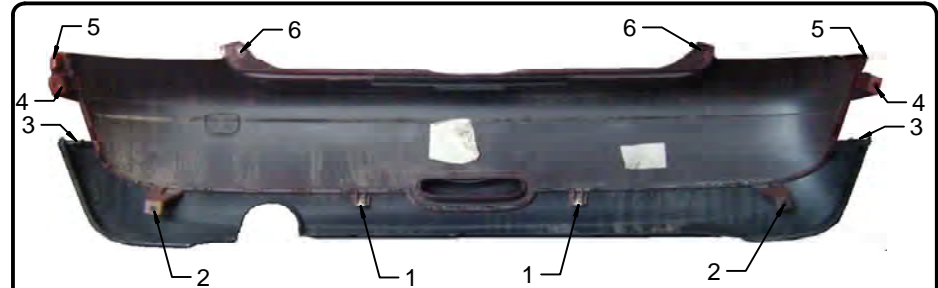
Parts List			
ITEM	QTY	PART NUMBER	DESCRIPTION
1	8	3/8"	CONICAL TOOTHED WASHER

**NOTE:** Since the safety chains attach below the bumper, longer safety chains may be required to reach the chain loops. Verify that your safety chains are long enough to clear the lower valance while turning before towing.



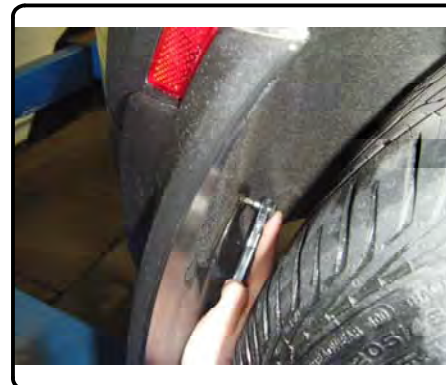
## Removing the Bumper Cover:

1. Remove (11) fasteners that secure the bumper cover.



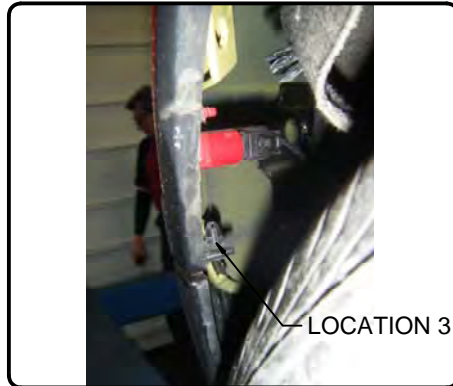
**NOTE:** Fastener locations as viewed from inside of the bumper cover.

2. Using a phillips screwdriver remove (4) fasteners securing the mudflap, two each side of vehicle. Using a flat blade screwdriver remove the (4) clips from the mudflap, two each side. **NOTE:** If needed you may remove rear wheels to access fasteners.

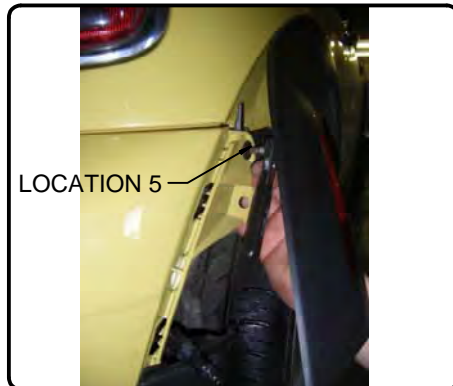
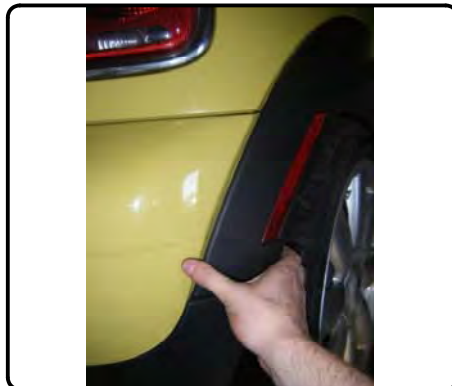


## INSTALLATION WALKTHROUGH:

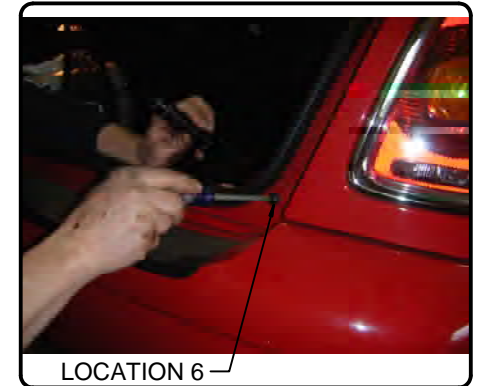
3. Inside wheel well remove (2) hex head fastener from location 4, one each side. Pull back the wheel well liner to access the (2) push fasteners that hold the rear wheel arch to the rear bumper cover from location 3, one each side. Remove fasteners by pushing the inner piece down to expose the head. Use a screw driver to pry out of position.



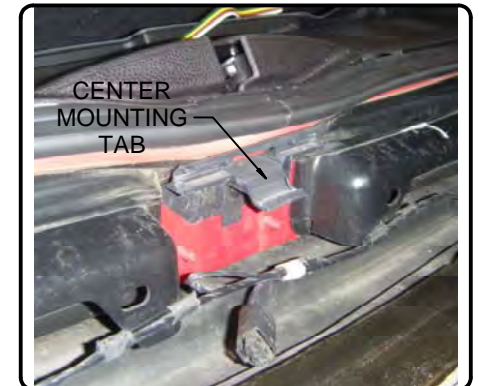
4. Pull fender flair away from bumper cover to access the (2) hidden fastener. Release side marker bulb from fender flair. Using an offset phillips screwdriver or wrench with a phillips drive bit remove fastener from location 5. Repeat for the otherside



5. Using a 10mm socket remove (2) fasteners from under bumper cover from location 1. Remove the final (2) fasteners from location 6, these are visible when you open the rear hatch.



6. If your vehicle is equipped with a rear light or rear sensors, disconnect the wiring harness from the back of the bumper cover and remove the light from the back side by depressing tabs on both sides of the light. Pull back and up on the center of the cover to release it from the mounting tab. Place bumper cover in a safe place to prevent damage.



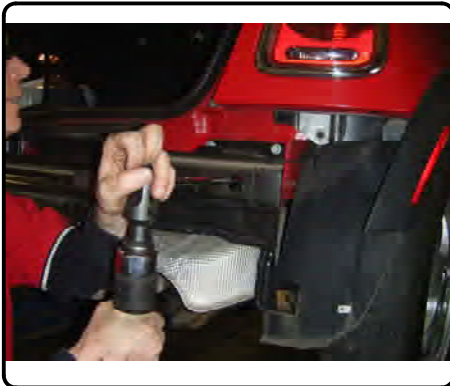


## INSTALLATION WALKTHROUGH:

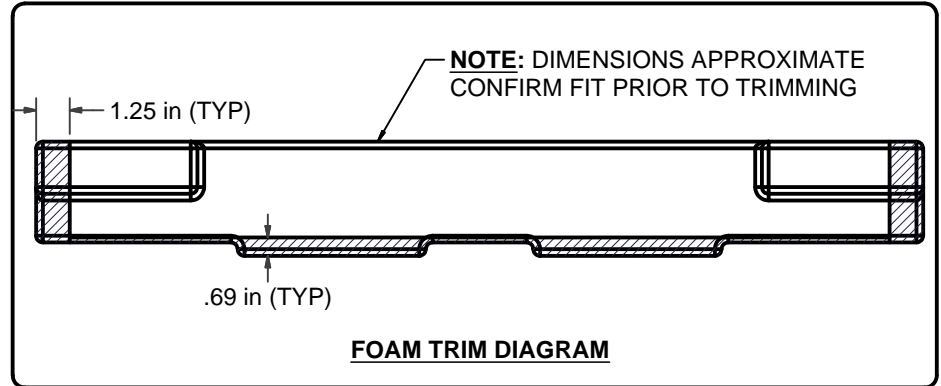
7. Using a flat blade screwdriver remove the wiring harness from the bumper beam or divider panel.



8. Remove the (8) M8 bolts and lower bumper beam assembly from vehicle. If present, remove divider panel from bumper beam and return to owner.



9. If present, remove hard foam energy absorber and trim to allow proper fit. (See trim diagram) **Note:** Some models may have soft foam and not require trimming.

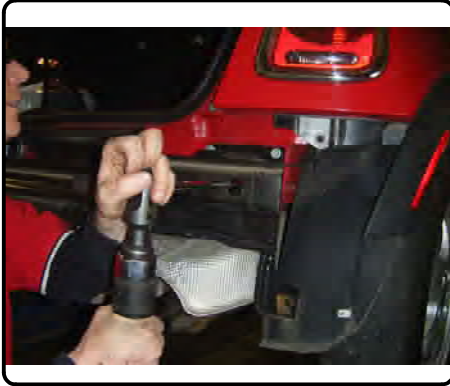


10. After trimming foam block insert into the bumper beam and confirm fit. Raise the hitch into position by aligning holes with weldnuts. **Note:** Heat shield may need to be formed around hitch. Spare tire may need to be loosened and plastic tire cradle adjusted to accommodate tow loops.



## INSTALLATION WALKTHROUGH:

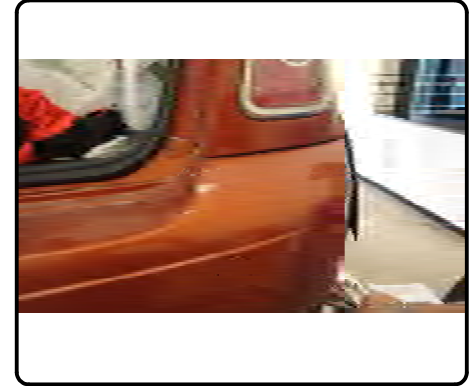
11. Sandwich the hitch between the bumper beam and the rear of the car. Secure hitch using (8) existing M8 bolts removed in Step 6 and 3/8" conical toothed washers. Torque all M8 hardware to 23 ft-lbs.



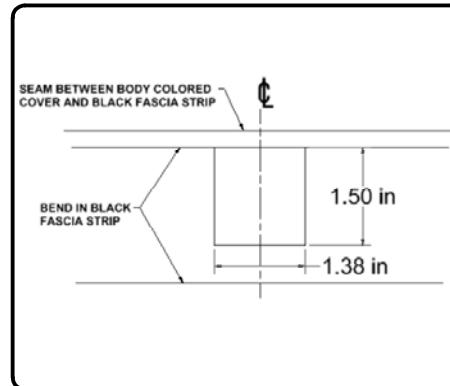
12. Your car is ready for re-assembly. Reconnect the wiring harness to the bumper beam by reinstalling the push fasteners removed in Step 7. In reconnecting the backup/center tail light, pass the wire over the top of the hitch and run the connector through the hole in the hitch as shown. **Note:** Keep wiring harness clear of the exhaust and heat shield.



13. Align bumper cover and pull back on the fender flairs. Re-attach side marker bulbs to fender flairs. Reconnect rear sensors. Reinstall all (11) fasteners removed previously and snap fender flairs back into place.



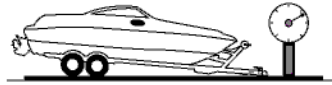
14. With bumper back to installed position, mark out the bumper for trimming to access the receiver hitch as shown in the diagram below. **NOTE:** These dimensions are for reference only and should be verified on the vehicle. Drilling a small hole will help verify location.



## TOWING SAFETY INFORMATION

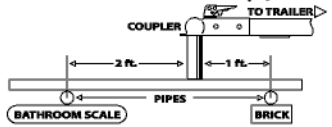
### Gross Trailer Weight / GTW

The Gross Trailer Weight is the weight of the trailer & cargo. Measure this by putting the fully loaded trailer on a vehicle scale.



### Tongue Weight / TW

The downward force that is exerted on the hitch ball by the coupler. The tongue weight will vary depending on where the load is positioned in relationship to the trailer axle(s). To measure the tongue weight, use either a commercial scale or a bathroom scale with the coupler at towing height. When using a bathroom scale with heavier tongue weights, use the method shown and multiply the scale reading by 3.



### Weight Carrying / WC

The total weight of both the trailer and the cargo inside. Never exceed the weight capacity of your trailer hitch.

### Weight Distribution / WD

Used to balance the weight of the cargo between the front and rear wheels throughout the trailer, allowing for better steering, braking, and level riding.



### Sway Control

A device used to reduce the lateral movements of the trailer that are caused by the wind. This works in conjunction with a weight distribution hitch. Do not use this on a class 1 or 2 hitch, or with surge brakes.

### How Much Can You Safely Tow?

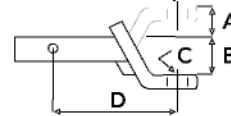
TONGUE WEIGHT (lb)	1000	2000	3000	4000	5000	6000	7000	8000	10,000	12,000
Tongue weight should be about 10 to 15 percent of the gross trailer weight.										
CLASS 1										
CLASS 2										
CLASS 3										
CLASS 4										
CLASS 5										
TRAILER TYPE										
Camper	11'	12'	13'	14'	15'	16'				
lbs.	1100	1200	1300	1400	1500	1600				
Vacation	18'	19'	20'	21'	22'	24'	26'	28'	30'	32'
lbs.	2100	2400	2700	3000	3300	3600	3900	4200	4500	4800
Vacation	18'	19'	20'	21'	22'	24'	26'	28'	30'	32'
lbs.	2800	3200	3600	4000	4400	4800	5200	5600	6000	6400
5th Wheel										

**Refer to owner's manual for towing capabilities and limitations.**

### Ball Mount

The ball mount is placed inside the opening of the receiver hitch which is mounted to the vehicle. Make sure a hitch pin and clip is properly securing the ball mount to the receiver hitch before you begin towing.

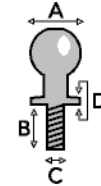
- A: Rise. B: Drop. C: Hole Size. D: Length.



### Trailer Ball

The connection from the hitch to the trailer. There are many factors that determine the correct hitch ball:

- Number one is the hitch ball's gross trailer weight rating.
- The mounting platform must be at least 3/8" thick.
- The hole diameter must not be more than 1/16" larger than the threaded shank.
- Every time you tow, check the nut and lock washer to make sure they are fastened securely.
- A: Ball Dia. B: Shank Length. C: Shank Dia. D: Shank Rise.



### Coupler

The component that is placed over the trailer ball to connect the vehicle to the trailer. Be sure that the coupler size matches the size of the hitch ball and that the coupler handle is securely fastened. To determine what size hitch ball you need for your application you will need to know the size of coupler that is on the trailer. Be sure your coupler is properly adjusted to the ball you are using.

NOTE: For added security the use of safety devices such as Coupler Safety Pins and Locks is strongly recommended.

### Safety Chains

Safety chains are a requirement and should be crossed under the tongue of the trailer so that the tongue will not drop to the road if it becomes separated from the hitch. Always leave enough slack so you can turn. Never allow the safety chains to drag on the ground and never attach the chains to the bumper.

Trailer Classification: Safety Chain Breaking Force - Minimum

Class 1: 2,000 lbs. (8.9 kN)

Class 2: 3,500 lbs. (15.6 kN)

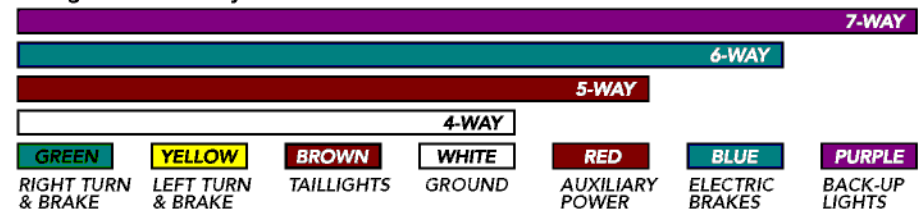
Class 3: 5,000 lbs. (22.2 kN)

The strength rating of each length of safety chain or its equivalent and its attachments shall be equal to or exceed in minimum breaking force the GVWR (Gross Vehicle Weight Rating) of the trailer.

### Electrical

Trailer lights, Electric Brakes, Break-away systems - Every time you tow, be sure to check that all components are working properly.

Wiring identification by color:



CURT DISCLAIMER: WIRING COLOR SHOWN WORK IN CONJUNCTION WITH CURT MANUFACTURING PRODUCTS.

11272

# MINI COOPER

10/30/2014

EXCLUDES CLUBMAN, "S", AND JOHN COOPER EDITIONS Page 1 of 6

**GROSS LOAD CAPACITY WHEN USED AS A WEIGHT CARRYING HITCH: 2,000 LBS. TRAILER WEIGHT & 200 LBS. TONGUE WEIGHT.**

\*\*\*DO NOT EXCEED VEHICLE MANUFACTURER'S RECOMMENDED TOWING CAPACITY.\*\*\*

**WARNING: ALL NON-TRAILER LOADS APPLIED TO THIS PRODUCT MUST BE SUPPORTED BY AUXILIARY STABILIZING STRAPS.**

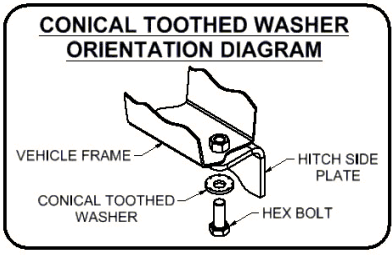
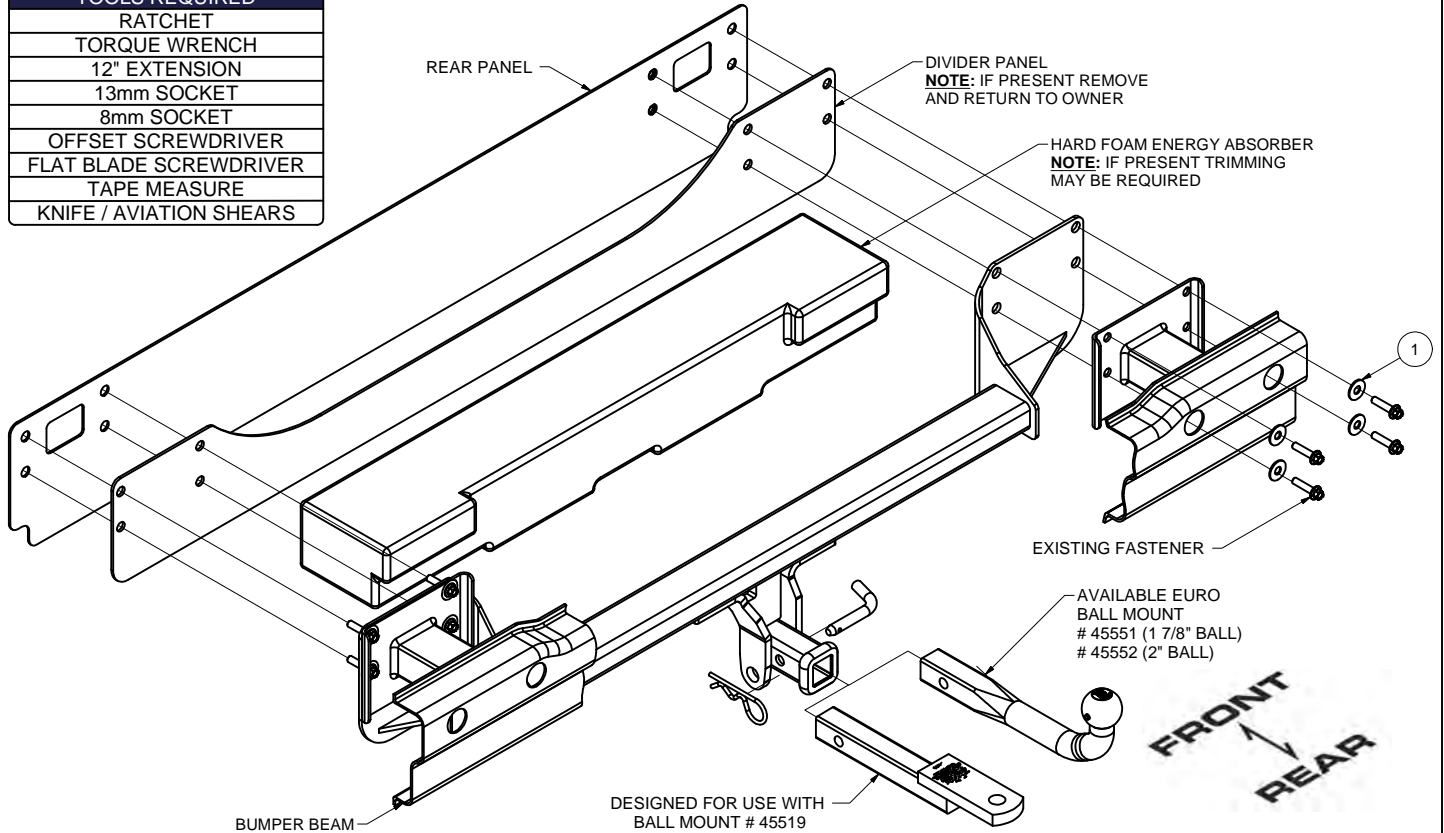
\*\* FAILURE TO PROPERLY SUPPORT NON-TRAILER LOADS WILL VOID PRODUCT WARRANTY\*\*

**HAVING INSTALLATION QUESTIONS? CALL TECHNICAL SUPPORT AT 1-800-798-0813**

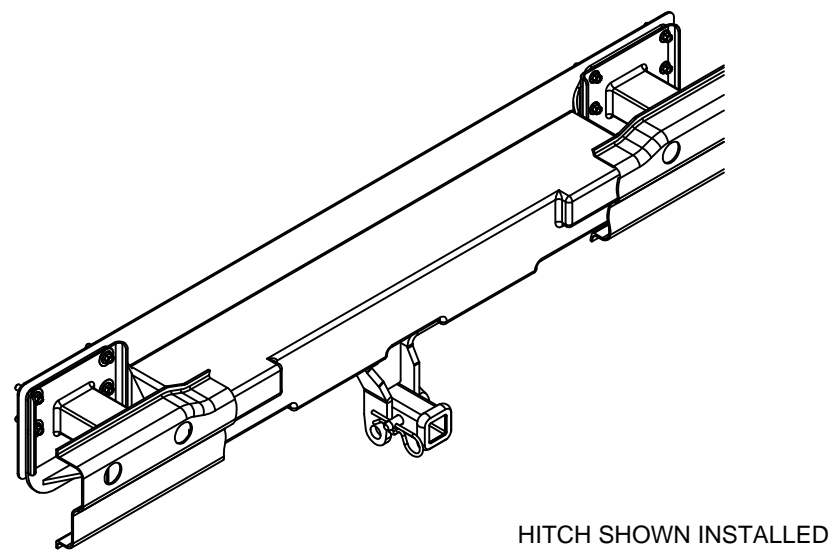
Parts List			
ITEM	QTY	PART NUMBER	DESCRIPTION
1	8	3/8"	CONICAL TOOTHED WASHER

**NOTE:** Longer safety chains may be required to reach the chain loops. Verify that your safety chains are long enough to clear the lower valance while turning before towing.

TOOLS REQUIRED	
RATCHET	
TORQUE WRENCH	
12" EXTENSION	
13mm SOCKET	
8mm SOCKET	
OFFSET SCREWDRIVER	
FLAT BLADE SCREWDRIVER	
TAPE MEASURE	
KNIFE / AVIATION SHEARS	



HITCH WEIGHT: 26 LBS.  
 INSTALL TIME:  
 PROFESSIONAL 60 MINUTES  
 NOVICE (DIY) 120 MINUTES  
 INSTALL NOTES:  
 - REMOVE BUMPER COVER  
 - TRIM LOWER BUMPER FASCIA



PERIODICALLY CHECK THIS RECEIVER HITCH TO ENSURE THAT ALL FASTENERS ARE TIGHT AND THAT ALL STRUCTURAL COMPONENTS ARE SOUND.



Curt Manufacturing LLC., warrants this product to be free of defects in material and/or workmanship at the time of retail purchase by the original purchaser. If the product is found to be defective, Curt Manufacturing LLC., may repair or replace the product, at their option, when the product is returned, prepaid, with proof of purchase. Alteration to, misuse of, or improper installation of this product voids the warranty. Curt Manufacturing LLC.'s liability is limited to repair or replacement of products found to be defective, and specifically excludes liability for incidental or consequential loss or damage.



GROSS LOAD CAPACITY WHEN USED AS A WEIGHT CARRYING HITCH: 2,000 LBS. TRAILER WEIGHT & 200 LBS. TONGUE WEIGHT.

\*\*\*DO NOT EXCEED VEHICLE MANUFACTURER'S RECOMMENDED TOWING CAPACITY.\*\*\*

**WARNING: ALL NON-TRAILER LOADS APPLIED TO THIS PRODUCT MUST BE SUPPORTED BY AUXILIARY STABILIZING STRAPS.**

\*\* FAILURE TO PROPERLY SUPPORT NON-TRAILER LOADS WILL VOID PRODUCT WARRANTY\*\*

HAVING INSTALLATION QUESTIONS? CALL TECHNICAL SUPPORT AT 1-800-798-0813

## INSTALLATION STEPS:

### Removing the Bumper Cover:

1. Remove (11) fasteners that secure the bumper cover.

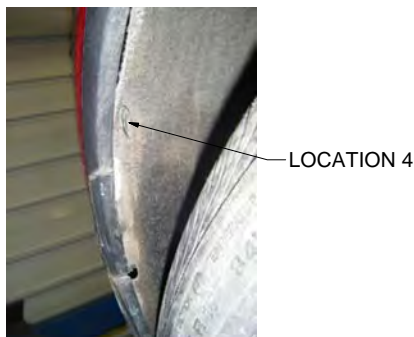


**NOTE:** Fastener locations as viewed from inside of the bumper cover.

2. Using a phillips screwdriver remove (4) fasteners securing the mudflap, two each side. Using a flat blade screwdriver remove the (4) clips from the mudflap, two each side of vehicle. **NOTE:** If needed you may remove rear wheels to access fasteners.



3. Inside wheel well remove (2) hex head fastener from location 4, one each side. Pull back the wheel well liner to access the (2) push fasteners that hold the rear wheel arch to the rear bumper cover from location 3, one each side. Remove fasteners by pushing the inner piece down to expose the head. Use a screw driver to pry out of position.



PERIODICALLY CHECK THIS RECEIVER HITCH TO ENSURE THAT ALL FASTENERS ARE TIGHT AND THAT ALL STRUCTURAL COMPONENTS ARE SOUND.



**GROSS LOAD CAPACITY WHEN USED AS A WEIGHT CARRYING HITCH: 2,000 LBS. TRAILER WEIGHT & 200 LBS. TONGUE WEIGHT.**

\*\*\*DO NOT EXCEED VEHICLE MANUFACTURER'S RECOMMENDED TOWING CAPACITY.\*\*\*

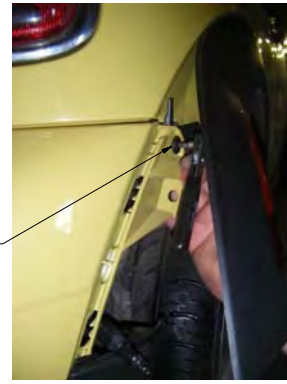
**WARNING: ALL NON-TRAILER LOADS APPLIED TO THIS PRODUCT MUST BE SUPPORTED BY AUXILIARY STABILIZING STRAPS.**

\*\* FAILURE TO PROPERLY SUPPORT NON-TRAILER LOADS WILL VOID PRODUCT WARRANTY\*\*

**HAVING INSTALLATION QUESTIONS? CALL TECHNICAL SUPPORT AT 1-800-798-0813**

### INSTALLATION STEPS:

4. Pull fender flare away from bumper cover to access the (2) hidden fastener. Release side marker bulb from fender flare. Using an offset phillips screwdriver or wrench with a phillips drive bit remove fastener from location 5. Repeat for the otherside



LOCATION 5

5. Using a 10mm socket remove (2) fasteners from under bumper cover from location 1. Remove the final (2) fasteners from location 6, these are visible when you open the rear hatch.



LOCATION 1



LOCATION 6

6. If your vehicle is equipped with a rear light or rear sensors, disconnect the wiring harness from the back of the bumper cover and remove the light from the back side by depressing tabs on both sides of the light. Pull back and up on the center of the cover to release it from the mounting tab. Place bumper cover in a safe place to prevent damage.



CENTER  
MOUNTING  
TAB

**PERIODICALLY CHECK THIS RECEIVER HITCH TO ENSURE THAT ALL FASTENERS ARE TIGHT AND THAT ALL STRUCTURAL COMPONENTS ARE SOUND.**

GROSS LOAD CAPACITY WHEN USED AS A WEIGHT CARRYING HITCH: 2,000 LBS. TRAILER WEIGHT & 200 LBS. TONGUE WEIGHT.

\*\*\*DO NOT EXCEED VEHICLE MANUFACTURER'S RECOMMENDED TOWING CAPACITY.\*\*\*

**WARNING: ALL NON-TRAILER LOADS APPLIED TO THIS PRODUCT MUST BE SUPPORTED BY AUXILIARY STABILIZING STRAPS.**

\*\* FAILURE TO PROPERLY SUPPORT NON-TRAILER LOADS WILL VOID PRODUCT WARRANTY\*\*

HAVING INSTALLATION QUESTIONS? CALL TECHNICAL SUPPORT AT 1-800-798-0813

### INSTALLATION STEPS:

7. Using a flat blade screwdriver remove the wiring harness from the bumper beam or divider panel.

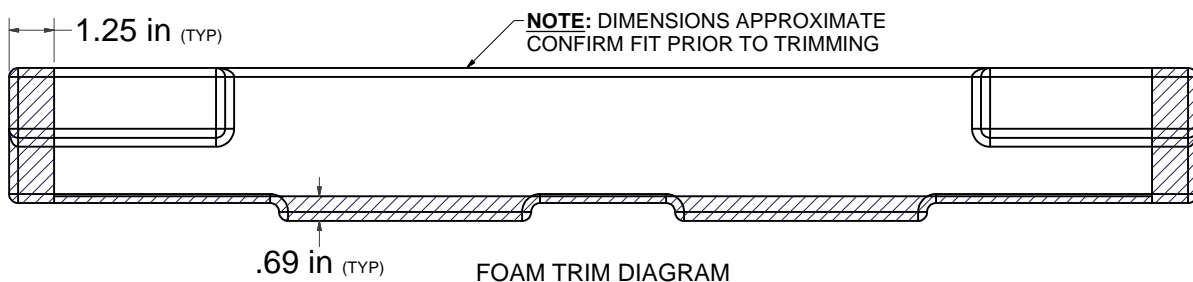


8. Remove the (8) M8 bolts and lower bumper beam assembly from vehicle. If present, remove divider panel from bumper beam and return to owner.



9. If present, remove hard foam energy absorber and trim to allow proper fit. (See trim diagram)

**Note:** Some models may have soft foam and not require trimming.



PERIODICALLY CHECK THIS RECEIVER HITCH TO ENSURE THAT ALL FASTENERS ARE TIGHT AND THAT ALL STRUCTURAL COMPONENTS ARE SOUND.

GROSS LOAD CAPACITY WHEN USED AS A WEIGHT CARRYING HITCH: 2,000 LBS. TRAILER WEIGHT & 200 LBS. TONGUE WEIGHT.

\*\*\*DO NOT EXCEED VEHICLE MANUFACTURER'S RECOMMENDED TOWING CAPACITY.\*\*\*

**WARNING: ALL NON-TRAILER LOADS APPLIED TO THIS PRODUCT MUST BE SUPPORTED BY AUXILIARY STABILIZING STRAPS.**

\*\* FAILURE TO PROPERLY SUPPORT NON-TRAILER LOADS WILL VOID PRODUCT WARRANTY\*\*

HAVING INSTALLATION QUESTIONS? CALL TECHNICAL SUPPORT AT 1-800-798-0813

### INSTALLATION STEPS:

10. After trimming foam block insert into the bumper beam and confirm fit. Raise the hitch into position by aligning holes with weldnuts. **Note:** Heat shield may need to be formed around hitch. Spare tire may need to be loosened and plastic tire cradle adjusted to accommodate tow loops.



11. Sandwich the hitch between the bumper beam and the rear of the car. Secure hitch using (8) existing M8 bolts removed in Step 6 and 3/8" conical toothed washers. Torque all M8 hardware to 23 ft-lbs.



12. Your car is ready for re-assembly. Reconnect the wiring harness to the bumper beam by reinstalling the push fasteners removed in Step 7. In reconnecting the backup/center tail light, pass the wire over the top of the hitch and run the connector through the hole in the hitch as shown. **Note:** Keep wiring harness clear of the exhaust and heat shield.



PERIODICALLY CHECK THIS RECEIVER HITCH TO ENSURE THAT ALL FASTENERS ARE TIGHT AND THAT ALL STRUCTURAL COMPONENTS ARE SOUND.



**GROSS LOAD CAPACITY WHEN USED AS A WEIGHT CARRYING HITCH: 2,000 LBS. TRAILER WEIGHT & 200 LBS. TONGUE WEIGHT.**

\*\*\*DO NOT EXCEED VEHICLE MANUFACTURER'S RECOMMENDED TOWING CAPACITY.\*\*\*

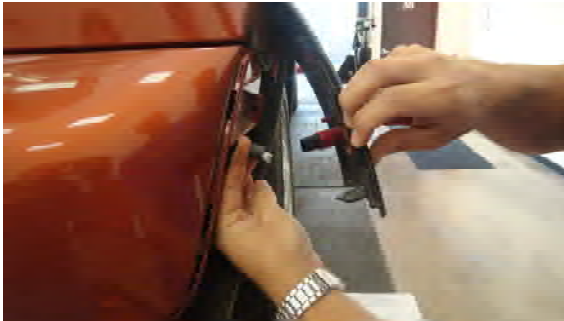
**WARNING: ALL NON-TRAILER LOADS APPLIED TO THIS PRODUCT MUST BE SUPPORTED BY AUXILIARY STABILIZING STRAPS.**

\*\* FAILURE TO PROPERLY SUPPORT NON-TRAILER LOADS WILL VOID PRODUCT WARRANTY\*\*

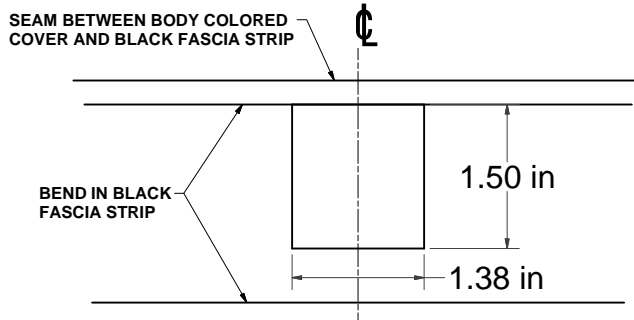
**HAVING INSTALLATION QUESTIONS? CALL TECHNICAL SUPPORT AT 1-800-798-0813**

### INSTALLATION STEPS:

13. Align bumper cover and pull back on the fender flairs. Re-attach side marker bulbs to fender flairs. Reconnect rear sensors. Reinstall all (11) fasteners removed previously and snap fender flairs back into place.



14. With bumper back to installed position, mark out the bumper for trimming to access the receiver hitch as shown in the diagram below. NOTE: These dimensions are for reference only and should be verified on the vehicle. Drilling a small hole will help verify location.



15. Hitch is now fully installed. To attach safety chains, route them to the tow loops under the bumper.



**PERIODICALLY CHECK THIS RECEIVER HITCH TO ENSURE THAT ALL FASTENERS ARE TIGHT AND THAT ALL STRUCTURAL COMPONENTS ARE SOUND.**

Curt Manufacturing LLC., warrants this product to be free of defects in material and/or workmanship at the time of retail purchase by the original purchaser. If the product is found to be defective, Curt Manufacturing LLC., may repair or replace the product, at their option, when the product is returned, prepaid, with proof of purchase. Alteration to, misuse of, or improper installation of this product voids the warranty. Curt Manufacturing LLC.'s liability is limited to repair or replacement of products found to be defective, and specifically excludes liability for incidental or consequential loss or damage.